



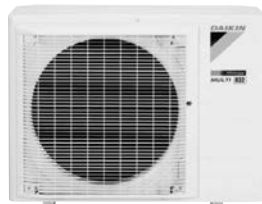
EDAR122202

R-32

Engineering Data

Multi-Split Type Air Conditioners - Heat Pump -

3/4/5MXM-R Series



INVERTER

1. Power Supply

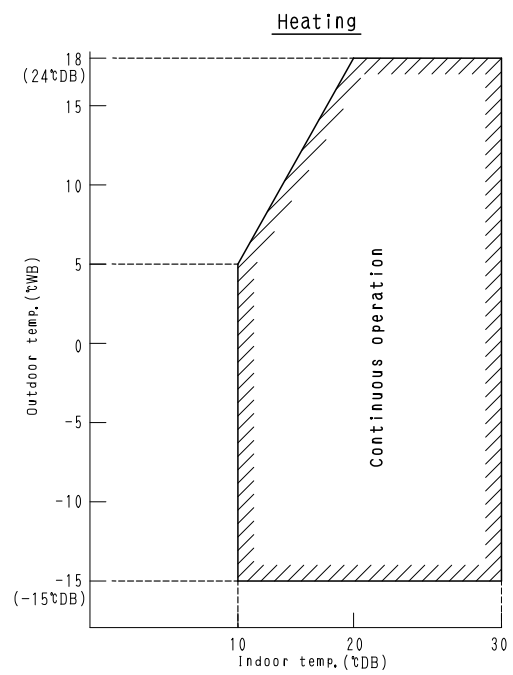
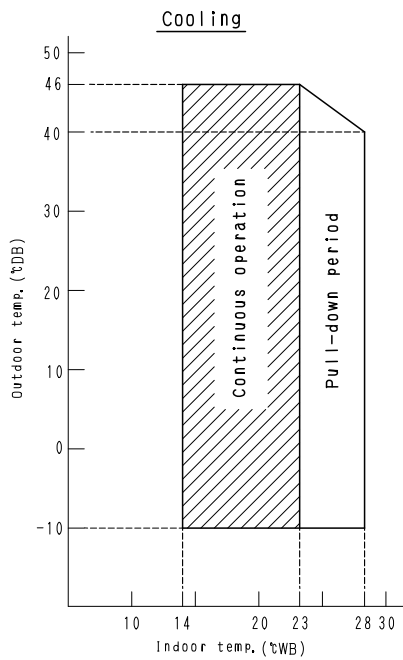
1

Indoor Unit		Outdoor Unit	Power Supply
Wall Mounted Type	CTXM20RVM2	3MXM70RVM2 4MXM80RVM2 4MXM100RVM2 5MXM110RVM2	1 phase, 220 - 230 - 240 V, 50 Hz 1 phase, 220 - 230 V, 60 Hz
	CTXM25RVM2		
	CTXM35RVM2		
	CTXM50RVM2		
	CTXM60RVM2		
	CTXM71RVM2		
Duct Connected Type	CDXP25RVM2		
	CDXP35RVM2		
	CDXM50RVM2		
	CDXM60RVM2		
	CDXM71RVM2		

Note: Power Supply Intake ; Outdoor Unit

8. Operation Limit

3MXM70RVM2, 4MXM80/100RVM2, 5MXM110RVM2



Notes:
 The graphs are based on the following conditions,
 • Equivalent piping length 5m
 • Level difference 0m
 • Air flow rate High

3D090106A

2. Functions

Category	Functions	CTXM20/25/35FVM2	CTXM50/60/71RVM2	Category	Functions	CTXM20/25/35FVM2	CTXM50/60/71RVM2	
Basic Functions	Inverter (with inverter power control)	●	●	Health & Cleanliness	Deodorizing filter (enzyme blue)	●	●	
	Operation limit for cooling	—	—		Dust collection filter (PM2.5) (option)	●	●	
	Operation limit for heating	—	—		Titanium apatite deodorizing filter (option)	●	●	
	PAM control	—	—		Silver ion anti-bacterial drain pan	—	—	
	Demand control (option)	—	—		Longlife filter (option)	—	—	
Compressor	Oval scroll compressor	—	—		Mould proof air filter (prefilter)	●	●	
	Swing compressor	—	—		Wipe-clean flat panel	●	●	
	Rotary compressor	—	—		Washable grille	—	—	
	Reluctance DC motor	—	—		Separated drain pan	●	●	
Comfortable Airflow	Power-airflow flap	●	—		Filter sign	—	—	
	Power-airflow dual flaps	—	●	Mould proof operation	—	—		
	Power-airflow diffuser	—	—	Heating dry operation	—	—		
	Wide-angle louvres	●	●	Timer	Setpoint auto reset	●★2	●★2	
	Auto-swing (up and down)	●	●		Setpoint range set	●★2	●★2	
	Auto-swing (left and right)	●	●		Weekly timer	●★1	●★1	
	3D airflow	●	●		Schedule timer	●★2	●★2	
	Comfort airflow mode	●★1	●★1		Off timer (programmed)	●★2	●★2	
Comfort Control	Switchable fan speed	●	●		24-hour ON/OFF timer	●	●	
	Auto fan speed	—	—		72-hour ON/OFF timer	—	—	
	Comfortable auto fan speed	●	●		Count up/down ON/OFF timer	●★1	●★1	
	Indoor unit quiet operation	●★1	●★1	Night set mode	●	●		
	NIGHT QUIET mode (automatic)	—	—	Worry Free (Reliability & Durability)	Auto-restart after power failure	●	●	
	Outdoor unit quiet operation	—	—		Self-diagnosis with remo-con	●	●	
	Intelligent eye (auto energy saving)	—	●★1		Wiring error check	—	—	
	2-area intelligent eye (comfort)	●★1	—		Anti-corrosion treatment of outdoor heat exchanger fins	—	—	
	Two selectable temperature sensors	—	—	Flexibility	Multi-split/split compatible indoor unit	—	—	
	0.5°C step room temperature setting	●★1	●★1		H/P, C/O compatible indoor unit	—	—	
	Auto-cooling/heating changeover	●	●		High ceiling application	—	—	
Hot-start function	●	●	Chargeless		—	—		
Operation	Automatic defrost	—	—	Either side drain (right/left)	●	●		
	Automatic operation (cooling and heating)	●	●	Drain pump mechanism	—	—		
		Programme dry function	●	●	Power selection	—	—	
		Fan only	●	●	Remote Control	Remote control adaptor (normal open pulse contact) (option)	●	●
Heat plus		●★1	●★1	Remote control adaptor (normal open contact) (option)		●	●	
Lifestyle Convenience	Super powerful operation	●★1	●★1	DIII-NET compatible (adaptor) (option)		●	●	
	Priority-room setting	—	—	Wireless LAN adaptor (option)		—	—	
	Cooling/heating mode lock	—	—	Remote Controller		Wireless	●	●
	Home leave operation	—	—			Wired (option)	●	●
	ECONO mode	●★1	●★1					
	Indoor unit ON/OFF switch	●	●					
	Signal reception indicator	●	●					
Remote controller (backlight)	●	●						
Temperature display	—	—						

Note: ● : Available
— : Not available

★1: With wireless remote controller
★2: With wired remote controller

Category	Functions	CDXP25/35RVM2 CDXM50/60/71RVM2	Category	Functions	CDXP25/35RVM2 CDXM50/60/71RVM2
Basic Functions	Inverter (with inverter power control)	●	Health & Cleanliness	Deodorizing filter (enzyme blue)	—
	Operation limit for cooling	—		Dust collection filter (PM2.5) (option)	—
	Operation limit for heating	—		Titanium apatite deodorizing filter	—
	PAM control	—		Silver ion anti-bacterial drain pan	—
	Demand control (option)	—		Longlife filter (option)	—
Compressor	Oval scroll compressor	—		Mould proof air filter (prefilter)	●
	Swing compressor	—		Wipe-clean flat panel	—
	Rotary compressor	—		Washable grille	—
	Reluctance DC motor	—		Separated drain pan	—
Comfortable Airflow	Power-airflow flap	—		Filter sign	—
	Power-airflow dual flaps	—	Mould proof operation	—	
	Power-airflow diffuser	—	Heating dry operation	—	
	Wide-angle louvres	—	Timer	Setpoint auto reset	●★2
	Auto-swing (up and down)	—		Setpoint range set	●★2
	Auto-swing (left and right)	—		Weekly timer	—
	3D airflow	—		Schedule timer	●★2
	Comfort airflow mode	—		Off timer (programmed)	●★2
Comfort Control	Switchable fan speed	●		24-hour ON/OFF timer	●
	Auto fan speed	●		72-hour ON/OFF timer	—
	Comfortable auto fan speed	—		Count up/down ON/OFF timer	●★1
	Indoor unit quiet operation	●★1	Night set mode	●	
	NIGHT QUIET mode (automatic)	—	Worry Free (Reliability & Durability)	Auto-restart after power failure	●
	Outdoor unit quiet operation	—		Self-diagnosis with remo-con	●
	Intelligent eye (auto energy saving)	—		Wiring error check	—
	2-area intelligent eye (comfort)	—	Flexibility	Anti-corrosion treatment of outdoor heat exchanger fins	—
	Two selectable temperature sensors	—		Multi-split/split compatible indoor unit	—
	0.5°C step room temperature setting	●★1		H/P, C/O compatible indoor unit	—
Auto-cooling/heating changeover	●	High ceiling application		—	
Operation	Hot-start function	●	Chargeless	—	
	Automatic defrost	—	Either side drain (right/left)	—	
	Automatic operation (cooling and heating)	●	Drain pump mechanism	—	
	Programme dry function	●	Power selection	—	
Lifestyle Convenience	Fan only	●	Remote Control	Remote control adaptor (normal open pulse contact) (option)	●
	Heat plus	—		Remote control adaptor (normal open contact) (option)	●
	Super powerful operation	●★1		DIII-NET compatible (adaptor) (option)	●
		Priority-room setting		—	Wireless LAN adaptor (option)
		Cooling/heating mode lock	—	Remote Controller	Wireless (option)
	Home leave operation	—	Wired (option)		●
	ECONO mode	●★1			
	Indoor unit ON/OFF switch	●★1			
	Signal reception indicator	●★1			
Remote controller (backlight)	●				
Temperature display	—				

Note: ● : Available
— : Not available

★1: With wireless remote controller
★2: With wired remote controller

Category	Functions	3MXM70RV/M2 4MXM80/100RV/M2 5MXM110RV/M2	Category	Functions	3MXM70RV/M2 4MXM80/100RV/M2 5MXM110RV/M2
Basic Functions	Inverter (with inverter power control)	●	Health & Cleanliness	Deodorizing filter (enzyme blue)	—
	Operation limit for cooling	Refer to P. 114		Dust collection filter (PM2.5)	—
	Operation limit for heating			Titanium apatite deodorizing filter	—
	PAM control	●		Silver ion anti-bacterial drain pan	—
	Wide-range waveform control	●		Longlife filter (option)	—
	Demand control	—		Mould proof air filter (prefilter)	—
Compressor	Oval scroll compressor	—	Wipe-clean flat panel	—	
	Swing compressor	●	Washable grille	—	
	Rotary compressor	—	Separated drain pan	—	
	Reluctance DC motor	●	Filter sign	—	
Comfortable Airflow	Power-airflow flap	—	Mould proof operation	—	
	Power-airflow dual flaps	—	Heating dry operation	—	
	Power-airflow diffuser	—	Timer	Setpoint auto reset	—
	Wide-angle louvres	—		Setpoint range set	—
	Auto-swing (up and down)	—		Weekly timer	—
	Auto-swing (left and right)	—		Schedule timer	—
	3D airflow	—		Off timer (programmed)	—
	Comfort airflow mode	—		24-hour ON/OFF timer	—
Comfort Control	Switchable fan speed	—		72-hour ON/OFF timer	—
	Auto fan speed	—		Count up/down ON/OFF timer	—
	Comfortable auto fan speed	—	Night set mode	—	
	Indoor unit quiet operation	—	Worry Free (Reliability & Durability)	Auto-restart after power failure	—
	NIGHT QUIET mode (automatic)	●		Self-diagnosis with remo-con	●
	Outdoor unit quiet operation	●		Wiring error check	●
	Intelligent eye (auto energy saving)	—		Anti-corrosion treatment of outdoor heat exchanger fins	—
	2-area intelligent eye (comfort)	—	Flexibility	Multi-split/split compatible indoor unit	—
	Two selectable temperature sensors	—		H/P, C/O compatible indoor unit	—
	0.5°C step room temperature setting	—		High ceiling application	—
	Auto-cooling/heating changeover	—		Chargeless	—
	Hot-start function	—		Either side drain (right/left)	—
	Automatic defrost	●		Drain pump mechanism	—
	Operation	Automatic operation (cooling and heating)	—	Power selection	—
Programme dry function		—	Remote Control	Remote control adaptor (normal open pulse contact) (option)	—
Fan only operation		—		Remote control adaptor (normal open contact) (option)	—
Heat plus		—		DIII-NET compatible (adaptor) (option)	—
Lifestyle Convenience	Super powerful operation	—		Wireless LAN adaptor (option)	—
	Priority-room setting	●	Remote Controller	Wireless	—
	Cooling/heating mode lock	—		Wired	—
	Home leave operation	—			
	ECONO mode	●			
	Indoor unit ON/OFF switch	—			
	Signal reception indicator	—			
	Remote controller (backlight)	—			
Temperature display	—				

Note: ● : Available
 — : Not available

3. Specifications

3.1 Indoor Unit

1

Wall Mounted Type

50 Hz, 220 - 230 - 240 V / 60 Hz, 220 - 230 V

Model			CTXM20RVM2		CTXM25RVM2	
			Cooling	Heating	Cooling	Heating
Capacity ★			2.0 kW Class		2.5 kW Class	
Front Panel Colour			White		White	
Airflow Rate	H	m ³ /min (cfm)	9.3 (328)	9.6 (339)	10.4 (367)	10.4 (367)
	M		7.2 (254)	8.0 (282)	7.2 (254)	8.0 (282)
	L		5.7 (201)	5.8 (205)	5.7 (201)	5.8 (205)
	SL		4.3 (152)	4.2 (148)	4.3 (152)	4.2 (148)
Fan	Type		Cross Flow Fan		Cross Flow Fan	
	Motor Output	W	27		27	
	Speed	Steps	5 Steps, Quiet, Auto		5 Steps, Quiet, Auto	
Air Direction Control			Right, Left, Horizontal, Downwards		Right, Left, Horizontal, Downwards	
Air Filter			Removable, Washable, Mildew Proof		Removable, Washable, Mildew Proof	
Running Current (Rated)	A		0.20 - 0.19 - 0.19 / 0.20 - 0.19	0.21 - 0.20 - 0.19 / 0.21 - 0.20	0.25 - 0.24 - 0.23 / 0.25 - 0.24	0.25 - 0.24 - 0.23 / 0.25 - 0.24
Power Consumption (Rated)	W		18.0	20.0	23.0	23.0
Power Factor (Rated)	%		40.9 - 41.2 - 39.5 / 40.9 - 41.2	43.3 - 43.5 - 43.9 / 43.3 - 43.5	41.8 - 41.7 - 41.7 / 41.8 - 41.7	41.8 - 41.7 - 41.7 / 41.8 - 41.7
Temperature Control			Microcomputer Control		Microcomputer Control	
Dimensions (H × W × D)	mm		285 × 770 × 223		285 × 770 × 223	
Packaged Dimensions (H × W × D)	mm		320 × 830 × 360		320 × 830 × 360	
Weight (Mass)	kg		9		9	
Gross Weight (Gross Mass)	kg		11		11	
Sound Pressure Level	H / M / L / SL	dB(A)	38 / 32 / 25 / 19	39 / 34 / 28 / 20	40 / 32 / 25 / 19	40 / 34 / 28 / 20
Sound Power Level	H	dB	52	53	54	54
Heat Insulation			Both Liquid and Gas Pipes		Both Liquid and Gas Pipes	
Piping Connections	Liquid	mm	φ 6.4		φ 6.4	
	Gas	mm	φ 9.5		φ 9.5	
	Drain	mm	φ 16.0		φ 16.0	
Drawing No.			3D138522		3D138523	

Model			CTXM35RVM2		CTXM50RVM2	
			Cooling	Heating	Cooling	Heating
Capacity ★			3.5 kW Class		5.0 kW Class	
Front Panel Colour			White		White	
Airflow Rate	H	m ³ /min (cfm)	11.3 (399)	11.3 (399)	16.9 (597)	17.2 (607)
	M		7.9 (279)	8.5 (300)	14.2 (501)	14.3 (505)
	L		5.9 (208)	6.1 (215)	11.7 (413)	11.4 (403)
	SL		4.3 (152)	4.2 (148)	9.4 (332)	9.2 (325)
Fan	Type		Cross Flow Fan		Cross Flow Fan	
	Motor Output	W	27		58	
	Speed	Steps	5 Steps, Quiet, Auto		5 Steps, Quiet, Auto	
Air Direction Control			Right, Left, Horizontal, Downwards		Right, Left, Horizontal, Downwards	
Air Filter			Removable, Washable, Mildew Proof		Removable, Washable, Mildew Proof	
Running Current (Rated)	A		0.29 - 0.28 - 0.27 / 0.29 - 0.28	0.29 - 0.28 - 0.27 / 0.29 - 0.28	0.35 - 0.34 - 0.33 / 0.35 - 0.34	0.37 - 0.36 - 0.35 / 0.37 - 0.36
Power Consumption (Rated)	W		27.0	27.0	42.0	44.0
Power Factor (Rated)	%		42.3 - 41.9 - 41.7 / 42.3 - 41.9	42.3 - 41.9 - 41.7 / 42.3 - 41.9	54.5 - 53.7 - 53.0 / 54.5 - 53.7	54.1 - 53.1 - 52.4 / 54.1 - 53.1
Temperature Control			Microcomputer Control		Microcomputer Control	
Dimensions (H × W × D)	mm		285 × 770 × 223		295 × 990 × 263	
Packaged Dimensions (H × W × D)	mm		320 × 830 × 360		386 × 1,102 × 389	
Weight (Mass)	kg		9		13	
Gross Weight (Gross Mass)	kg		11		16	
Sound Pressure Level	H / M / L / SL	dB(A)	42 / 34 / 26 / 19	42 / 36 / 29 / 20	45 / 40 / 35 / 28	45 / 39 / 33 / 28
Sound Power Level	H	dB	56	56	59	59
Heat Insulation			Both Liquid and Gas Pipes		Both Liquid and Gas Pipes	
Piping Connections	Liquid	mm	φ 6.4		φ 6.4	
	Gas	mm	φ 9.5		φ 12.7	
	Drain	mm	φ 16.0		φ 16.0	
Drawing No.			3D138524		3D138525	

- Notes:**
- ★ See Page 13 ~ 26 "Combination Capacity".
 - SL: The Quiet fan level of the airflow rate setting.

Conversion Formulae

$$\begin{aligned} \text{kcal/h} &= \text{kW} \times 860 \\ \text{Btu/h} &= \text{kW} \times 3412 \\ \text{cfm} &= \text{m}^3/\text{min} \times 35.3 \end{aligned}$$

50 Hz, 220 - 230 - 240 V / 60 Hz, 220 - 230 V

Model			CTXM60RVM2		CTXM71RVM2	
			Cooling	Heating	Cooling	Heating
Capacity ★			6.0 kW Class		7.1 kW Class	
Front Panel Colour			White		White	
Airflow Rate	H	m ³ /min (cfm)	19.5 (689)	20.0 (706)	20.0 (706)	19.7 (696)
	M		15.8 (558)	15.9 (561)	16.8 (593)	16.8 (593)
	L		12.7 (448)	11.4 (403)	13.3 (470)	12.8 (452)
	SL		9.7 (343)	9.7 (343)	10.0 (353)	10.7 (378)
Fan	Type		Cross Flow Fan		Cross Flow Fan	
	Motor Output	W	58		58	
	Speed	Steps	5 Steps, Quiet, Auto		5 Steps, Quiet, Auto	
Air Direction Control			Right, Left, Horizontal, Downwards		Right, Left, Horizontal, Downwards	
Air Filter			Removable, Washable, Mildew Proof		Removable, Washable, Mildew Proof	
Running Current (Rated)	A		0.43 - 0.39 - 0.37 / 0.43 - 0.39	0.46 - 0.44 - 0.43 / 0.46 - 0.44	0.51 - 0.50 - 0.49 / 0.51 - 0.50	0.46 - 0.44 - 0.43 / 0.46 - 0.44
Power Consumption (Rated)	W		58.0	60.0	64.0	60.0
Power Factor (Rated)	%		61.3 - 64.7 - 65.3 / 61.3 - 64.7	59.3 - 59.3 - 58.1 / 59.3 - 59.3	57.0 - 55.7 - 54.4 / 57.0 - 55.7	59.3 - 59.3 - 58.1 / 59.3 - 59.3
Temperature Control			Microcomputer Control		Microcomputer Control	
Dimensions (H × W × D)	mm		295 × 990 × 263		295 × 990 × 263	
Packaged Dimensions (H × W × D)	mm		386 × 1,102 × 389		386 × 1,102 × 389	
Weight (Mass)	kg		13		13	
Gross Weight (Gross Mass)	kg		16		16	
Sound Pressure Level	H / M / L / SL	dB(A)	48 / 42 / 36 / 29	48 / 41 / 33 / 29	49 / 45 / 37 / 30	49 / 43 / 35 / 30
Sound Power Level	H	dB	62	62	63	63
Heat Insulation			Both Liquid and Gas Pipes		Both Liquid and Gas Pipes	
Piping Connections	Liquid	mm	φ 6.4		φ 6.4	
	Gas	mm	φ 12.7		φ 15.9	
	Drain	mm	φ 16.0		φ 16.0	
Drawing No.			3D138526		3D138527	

- Notes:**
- ★ See Page 13 ~ 26 "Combination Capacity".
 - SL: The Quiet fan level of the airflow rate setting.

Conversion Formulae
kcal/h = kW × 860
Btu/h = kW × 3412
cfm = m ³ /min × 35.3

Duct Connected Type

50 Hz, 220 - 230 - 240 V / 60 Hz, 220 - 230 V

Model			CDXP25RVM2		CDXP35RVM2	
			Cooling	Heating	Cooling	Heating
Capacity ★			2.5 kW Class		3.5 kW Class	
Airflow Rates	H	m ³ /min (cfm)	8.7 (307)	8.7 (307)	8.7 (307)	8.7 (307)
	M		8.0 (282)	8.0 (283)	8.0 (282)	8.0 (283)
	L		7.3 (258)	7.3 (258)	7.3 (258)	7.3 (258)
	SL		6.2 (219)	6.2 (219)	6.2 (219)	6.2 (219)
Fan	Type		Sirocco Fan		Sirocco Fan	
	Motor Output	W	—		—	
	Speed	Steps	5 Steps, Quiet, Auto		5 Steps, Quiet, Auto	
Air Filter			Removable, Washable, Mildew Proof		Removable, Washable, Mildew Proof	
Running Current (Rated)		A	0.47 - 0.48 - 0.49 / 0.52 - 0.53	0.47 - 0.48 - 0.49 / 0.52 - 0.53	0.47 - 0.48 - 0.49 / 0.52 - 0.53	0.47 - 0.48 - 0.49 / 0.52 - 0.53
Power Consumption (Rated)		W	70 - 71 - 72 / 72 - 73	70 - 71 - 72 / 72 - 73	70 - 71 - 72 / 72 - 73	70 - 71 - 72 / 72 - 73
Power Factor (Rated)		%	67.7 - 64.3 - 61.2 / 62.9 - 59.9	67.7 - 64.3 - 61.2 / 62.9 - 59.9	67.7 - 64.3 - 61.2 / 62.9 - 59.9	67.7 - 64.3 - 61.2 / 62.9 - 59.9
Temperature Control			Microcomputer Control		Microcomputer Control	
Dimensions (H × W × D)		mm	200 × 700 × 620		200 × 700 × 620	
Packaged Dimensions (H × W × D)		mm	274 × 906 × 751		274 × 906 × 751	
Weight (Mass)		kg	21		21	
Gross Weight (Gross Mass)		kg	26		26	
Sound Pressure Level	H / M / L / SL	dB(A)	35 / 33 / 31 / 29	35 / 33 / 31 / 29	35 / 33 / 31 / 29	35 / 33 / 31 / 29
Sound Power Level	H	dB	49	49	49	49
External Static Pressure		Pa	30		30	
Heat Insulation			Both Liquid and Gas Pipes		Both Liquid and Gas Pipes	
Piping Connection	Liquid	mm	φ 6.4		φ 6.4	
	Gas	mm	φ 9.5		φ 9.5	
	Drain	mm	VP20 (O.D. φ 26 / I.D. φ 20)		VP20 (O.D. φ 26 / I.D. φ 20)	
Drawing No.			3D139865		3D139866	

Model			CDXM50RVM2		CDXM60RVM2	
			Cooling	Heating	Cooling	Heating
Capacity ★			5.0 kW Class		6.0 kW Class	
Airflow Rates	H	m ³ /min (cfm)	12.0 (424)	12.0 (424)	16.0 (565)	16.0 (565)
	M		11.0 (388)	11.0 (388)	14.8 (523)	14.8 (523)
	L		10.0 (353)	10.0 (353)	13.5 (477)	13.5 (477)
	SL		8.4 (297)	8.4 (297)	11.2 (395)	11.2 (395)
Fan	Type		Sirocco Fan		Sirocco Fan	
	Motor Output	W	—		—	
	Speed	Steps	5 Steps, Quiet, Auto		5 Steps, Quiet, Auto	
Air Filter			Removable, Washable, Mildew Proof		Removable, Washable, Mildew Proof	
Running Current (Rated)		A	0.69 - 0.66 - 0.63 / 0.69 - 0.66	0.69 - 0.66 - 0.63 / 0.69 - 0.66	0.80 - 0.77 - 0.74 / 0.80 - 0.77	0.78 - 0.75 - 0.72 / 0.78 - 0.75
Power Consumption (Rated)		W	140 - 140 - 140 / 140 - 140	140 - 140 - 140 / 140 - 140	160 - 160 - 160 / 160 - 160	160 - 160 - 160 / 160 - 160
Power Factor (Rated)		%	92.2 - 92.2 - 92.6 / 92.2 - 92.2	92.2 - 92.2 - 92.6 / 92.2 - 92.2	90.9 - 90.3 - 90.1 / 90.9 - 90.3	93.2 - 92.8 - 92.6 / 93.2 - 92.8
Temperature Control			Microcomputer Control		Microcomputer Control	
Dimensions (H × W × D)		mm	200 × 900 × 620		200 × 1,100 × 620	
Packaged Dimensions (H × W × D)		mm	266 × 1,106 × 751		266 × 1,306 × 751	
Weight (Mass)		kg	27		30	
Gross Weight (Gross Mass)		kg	31		35	
Sound Pressure Level	H / M / L / SL	dB(A)	37 / 35 / 33 / 31	37 / 35 / 33 / 31	38 / 36 / 34 / 32	38 / 36 / 34 / 32
Sound Power Level	H	dB	51	51	52	52
External Static Pressure		Pa	40		40	
Heat Insulation			Both Liquid and Gas Pipes		Both Liquid and Gas Pipes	
Piping Connection	Liquid	mm	φ 6.4		φ 6.4	
	Gas	mm	φ 12.7		φ 12.7	
	Drain	mm	VP20 (O.D. φ 26 / I.D. φ 20)		VP20 (O.D. φ 26 / I.D. φ 20)	
Drawing No.			3D139867		3D139868	

Notes:

- ★ See Page 13 ~ 26 "Combination Capacity" for reference values.
- SL: The Quiet fan level of the airflow rate setting.
- The operating sound is based on the rear side suction inlet and the external static pressure 30 Pa (CDXM50/60RVM2: 40 Pa).
Operating sound for bottom suction inlet : [operating sound for rear side suction inlet] +6 dB (CDXM50/60RVM2: +5 dB).
However, when installation resulting in lower external static pressure is carried out, the operation sound may rise by more than 6 dB (CDXM50/60RVM2: 5 dB).

Conversion Formulae

$$\begin{aligned} \text{kcal/h} &= \text{kW} \times 860 \\ \text{Btu/h} &= \text{kW} \times 3412 \\ \text{cfm} &= \text{m}^3/\text{min} \times 35.3 \end{aligned}$$

50 Hz, 220 - 230 - 240 V / 60 Hz, 220 - 230 V

Model			CDXM71RVM2	
			Cooling	Heating
Capacity ★			7.1 kW Class	
Airflow Rate	H	m ³ /min (cfm)	16.0 (565)	16.0 (565)
	M		14.8 (523)	14.8 (523)
	L		13.5 (477)	13.5 (477)
	SL		11.2 (395)	11.2 (395)
Fan	Type	Sirocco Fan		
	Motor Output	—		
	Speed	5 Steps, Quiet, Auto		
Air Filter			Removable, Washable, Mildew Proof	
Running Current (Rated)		A	0.80 - 0.77 - 0.74 / 0.80 - 0.77	0.78 - 0.75 - 0.72 / 0.78 - 0.75
Power Consumption (Rated)		W	160 - 160 - 160 / 160 - 160	160 - 160 - 160 / 160 - 160
Power Factor (Rated)		%	90.9 - 90.3 - 90.1 / 90.9 - 90.3	93.2 - 92.8 - 92.6 / 93.2 - 92.8
Temperature Control			Microcomputer Control	
Dimensions (H x W x D)		mm	200 x 1,100 x 620	
Packaged Dimensions (H x W x D)		mm	266 x 1,306 x 751	
Weight (Mass)		kg	30	
Gross Weight (Gross Mass)		kg	35	
Sound Pressure Level	H / M / L / SL	dB(A)	38 / 36 / 34 / 32	38 / 36 / 34 / 32
Sound Power Level	H	dB	52	52
External Static Pressure		Pa	40	
Heat Insulation			Both Liquid and Gas Pipes	
Piping Connections	Liquid	mm	φ 6.4	
	Gas	mm	φ 15.9	
	Drain	mm	VP20 (O.D. φ 26/ I.D. φ 20)	
Drawing No.			3D139869	

Notes:

- ★ See Page 13 ~ 26 "Combination Capacity" for reference values.
- SL: The Quiet fan level of the airflow rate setting.
- The operating sound is based on the rear side suction inlet and the external static pressure 40 Pa.
Operating sound for bottom suction inlet : [operating sound for rear side suction inlet] +5 dB.
However, when installation resulting in lower external static pressure is carried out, the operation sound may rise by more than 5 dB.

Conversion Formulae
kcal/h = kW × 860
Btu/h = kW × 3412
cfm = m ³ /min × 35.3

3.2 Outdoor Unit

50 Hz, 220 - 230 - 240 V / 60 Hz, 220 - 230 V

1

Model		3MXM70RVM2				4MXM80RVM2				
		Cooling		Heating		Cooling		Heating		
Capacity ★	kW	—		—		—		—		
Power Consumption ★	W	—		—		—		—		
Running Current ★	A	—		—		—		—		
Casing Colour		Ivory White				Ivory White				
Heat Exchanger		Waffle Fin / φ 8.0 Hi-XA Tube				Waffle Fin / φ 8.0 Hi-XA Tube				
Compressor	Type	Hermetically Sealed Swing Type				Hermetically Sealed Swing Type				
	Model	2YC40GXD				2YC40GXD				
	Motor Output	W	1,300		1,300		1,300			
Refrigerant Oil	Type	FW68DA				FW68DA				
	Charge	L	0.65		0.65		0.65			
Refrigerant	Type	R-32				R-32				
	Charge	kg	1.80		1.80		1.95			
Airflow Rate	H	m ³ /min	53.2 (1,878)	49.9 (1,762)	57.4 (2,027)	53.2 (1,878)	57.4 (2,027)	49.9 (1,762)		
	L	(cfm)	49.0 (1,730)	44.8 (1,582)	51.6 (1,822)	47.4 (1,674)	51.6 (1,822)	44.8 (1,582)		
Fan	Type	Propeller				Propeller				
	Motor Output	W	55		55		55			
	Running Current (Rated)	A	H: 0.17 / L: 0.14	H: 0.15 / L: 0.12	H: 0.21 / L: 0.16	H: 0.17 / L: 0.13	H: 0.21 / L: 0.16	H: 0.17 / L: 0.13		
	Power Consumption (Rated)	W	H: 54 / L: 44	H: 46 / L: 36	H: 65 / L: 50	H: 54 / L: 41	H: 65 / L: 50	H: 54 / L: 41		
Starting Current	A	6.7				9.3				
Dimensions (H × W × D)	mm	695 × 930 × 350				695 × 930 × 350				
Packaged Dimensions (H × W × D)	mm	762 × 1,004 × 475				762 × 1,004 × 475				
Weight (Mass)	kg	53				56				
Gross Weight (Gross Mass)	kg	56				60				
Sound Pressure Level	dB(A)	47		48		49		49		
Sound Power Level	dB	59		60		61		61		
Piping Connection	Liquid	mm	φ 6.4 × 3				φ 6.4 × 4			
	Gas	mm	φ 9.5 × 1, φ 12.7 × 2				φ 9.5 × 2, φ 12.7 × 2			
	Drain	mm	φ 15.9				φ 15.9			
Heat Insulation		Both Liquid and Gas Pipes				Both Liquid and Gas Pipes				
No. of Wiring Connections		3 for Power Supply, 4 for Interunit Wiring (Including Earth Wiring)				3 for Power Supply, 4 for Interunit Wiring (Including Earth Wiring)				
Max. Interunit Piping Length	m	50 (for Total of Each Room)				60 (for Total of Each Room)				
	m	30 (for One Room)				30 (for One Room)				
Amount of Additional Charge	g/m	20 (40 m or more)				20 (40 m or more)				
Max. Installation Height Difference	m	15 (between Indoor Unit and Outdoor Unit)				15 (between Indoor Unit and Outdoor Unit)				
	m	7.5 (between Indoor Units)				7.5 (between Indoor Units)				
Drawing No.		3D138503				3D138507A				

- Notes:**
- ★ See Page 13 ~ 14, 15 ~ 16 "Combination Capacity".
 - The data are based on the conditions shown in the table below.

Cooling	Heating	Piping Length	Power Supply Voltage
Indoor ; 27°CDB / 19°CWB Outdoor ; 35°CDB	Indoor ; 20°CDB Outdoor ; 7°CDB / 6°CWB	5 m	220 V

Conversion Formulae
kcal/h = kW × 860 Btu/h = kW × 3412 cfm = m ³ /min × 35.3

50 Hz, 220 - 230 - 240 V / 60 Hz, 220 - 230 V

Model		4MXM100RVM2		5MXM110RVM2		
		Cooling	Heating	Cooling	Heating	
Capacity ★	kW	—		—		
Power Consumption ★	W	—		—		
Running Current ★	A	—		—		
Casing Colour		Ivory White		Ivory White		
Heat Exchanger		Waffle Fin / φ 8.0 Hi-XA Tube		Waffle Fin / φ 8.0 Hi-XSL Tube		
Compressor	Type	Hermetically Sealed Swing Type		Hermetically Sealed Swing Type		
	Model	2YC71BXD		2YC71BXD		
	Motor Output	W 2,400		2,400		
Refrigerant Oil	Type	FW68DA		FW68DA		
	Charge	L 0.9		0.9		
Refrigerant	Type	R-32		R-32		
	Charge	kg 2.05		2.80		
Airflow Rate	H	m ³ /min	59.1 (2,087)	51.6 (1,822)	59.6 (2,104)	53.8 (1,900)
	L	(cfm)	54.1 (1,910)	48.2 (1,702)	52.9 (1,868)	47.1 (1,663)
Fan	Type	Propeller		Propeller		
	Motor Output	W 128		200		
	Running Current (Rated)	A H: 0.17 / L: 0.14		H: 0.12 / L: 0.11		
	Power Consumption (Rated)	W H: 63 / L: 51		H: 46 / L: 39		
Starting Current	A	10.9		12.2		
Dimensions (H × W × D)	mm	695 × 930 × 350		990 × 940 × 320		
Packaged Dimensions (H × W × D)	mm	762 × 1,004 × 475		1,114 × 1,003 × 396		
Weight (Mass)	kg	61		83		
Gross Weight (Gross Mass)	kg	65		90		
Sound Pressure Level	dB(A)	49		50		
Sound Power Level	dB	61		62		
Piping Connection	Liquid	mm	φ 6.4 × 4		φ 6.4 × 5	
	Gas	mm	φ 9.5 × 1, φ 12.7 × 1, φ 15.9 × 2		φ 9.5 × 2, φ 12.7 × 1, φ 15.9 × 2	
	Drain	mm	φ 15.9		φ 25	
Heat Insulation		Both Liquid and Gas Pipes		Both Liquid and Gas Pipes		
No. of Wiring Connections		3 for Power Supply, 4 for Interunit Wiring (Including Earth Wiring)		3 for Power Supply, 4 for Interunit Wiring (Including Earth Wiring)		
Max. Interunit Piping Length	m	70 (for Total of Each Room)		80 (for Total of Each Room)		
	m	30 (for One Room)		30 (for One Room)		
Amount of Additional Charge	g/m	20 (40 m or more)		20 (40 m or more)		
Max. Installation Height Difference	m	15 (between Indoor Unit and Outdoor Unit)		15 (between Indoor Unit and Outdoor Unit)		
	m	7.5 (between Indoor Units)		7.5 (between Indoor Units)		
Drawing No.		3D138510		3D138515A		

- Notes:**
- ★ See Page 17 ~ 20, 21 ~ 26 "Combination Capacity".
 - The data are based on the conditions shown in the table below.

Cooling	Heating	Piping Length	Power Supply Voltage
Indoor ; 27°CDB / 19°CWB Outdoor ; 35°CDB	Indoor ; 20°CDB Outdoor ; 7°CDB / 6°CWB	5 m	220 V

Conversion Formulae
kcal/h = kW × 860
Btu/h = kW × 3412
cfm = m ³ /min × 35.3

3.3 Combination Capacity: 3MXM70RVM2

1

Cooling [50 Hz, 220 V]

Combination of indoor unit	Capacity of each indoor unit									
	Each capacity (kW)			Total capacity (kW)		Total input (kW)		Total current (A)		Power factor (%)
	A room	B room	C room	Rating	(min ~ max)	Rating	(min ~ max)	Rating	(min ~ max)	Rating
2.0	2.00	---	---	2.00	0.80 ~ 3.42	0.46	0.22 ~ 0.80	2.1	1.1 ~ 3.7	99
2.5	2.50	---	---	2.50	0.80 ~ 3.81	0.59	0.22 ~ 0.95	2.7	1.1 ~ 4.4	99
3.5	3.50	---	---	3.50	0.80 ~ 5.05	0.84	0.22 ~ 1.39	3.9	1.1 ~ 6.4	99
5.0	5.00	---	---	5.00	0.80 ~ 6.34	1.16	0.21 ~ 2.02	5.3	1.0 ~ 9.3	99
2.0+2.0	2.00	2.00	---	4.00	1.00 ~ 6.36	0.90	0.21 ~ 2.00	4.1	1.0 ~ 9.2	99
2.0+2.5	2.00	2.50	---	4.50	1.00 ~ 6.62	0.99	0.21 ~ 2.15	4.5	1.0 ~ 9.9	99
2.0+3.5	1.96	3.44	---	5.40	1.00 ~ 6.64	1.35	0.21 ~ 2.19	6.2	1.0 ~ 10.1	99
2.0+5.0	1.89	4.71	---	6.60	1.00 ~ 7.38	1.52	0.21 ~ 2.08	7.0	1.0 ~ 9.6	99
2.5+2.5	2.50	2.50	---	5.00	1.00 ~ 6.63	1.16	0.21 ~ 2.11	5.3	1.0 ~ 9.7	99
2.5+3.5	2.42	3.38	---	5.80	1.00 ~ 6.67	1.54	0.21 ~ 2.15	7.1	1.0 ~ 9.9	99
2.5+5.0	2.33	4.67	---	7.00	1.00 ~ 7.40	1.69	0.21 ~ 2.08	7.8	1.0 ~ 9.6	99
3.5+3.5	3.30	3.30	---	6.60	1.00 ~ 6.70	2.08	0.21 ~ 2.19	9.6	1.0 ~ 10.1	99
3.5+5.0	2.88	4.12	---	7.00	1.00 ~ 7.41	1.69	0.21 ~ 2.08	7.8	1.0 ~ 9.6	99
2.0+2.0+2.0	1.93	1.93	1.93	5.80	1.20 ~ 7.43	1.30	0.23 ~ 2.02	6.0	1.1 ~ 9.3	99
2.0+2.0+2.5	1.91	1.91	2.38	6.20	1.20 ~ 7.45	1.46	0.23 ~ 2.02	6.7	1.1 ~ 9.3	99
2.0+2.0+3.5	1.87	1.87	3.26	7.00	1.20 ~ 7.47	1.83	0.23 ~ 2.02	8.4	1.1 ~ 9.3	99
2.0+2.0+5.0	1.56	1.56	3.88	7.00	1.20 ~ 8.23	1.53	0.21 ~ 1.99	7.0	1.0 ~ 9.2	99
2.0+2.5+2.5	1.88	2.36	2.36	6.60	1.20 ~ 7.46	1.62	0.22 ~ 2.02	7.4	1.1 ~ 9.3	99
2.0+2.5+3.5	1.75	2.19	3.06	7.00	1.20 ~ 7.49	1.83	0.22 ~ 2.02	8.4	1.1 ~ 9.3	99
2.0+3.5+3.5	1.56	2.72	2.72	7.00	1.20 ~ 7.50	1.83	0.22 ~ 2.02	8.4	1.1 ~ 9.3	99
2.5+2.5+2.5	2.33	2.33	2.33	7.00	1.20 ~ 7.50	1.83	0.22 ~ 2.02	8.4	1.1 ~ 9.3	99
2.5+2.5+3.5	2.06	2.06	2.88	7.00	1.20 ~ 7.50	1.83	0.22 ~ 2.02	8.4	1.1 ~ 9.3	99

- Notes:**
- Cooling capacity is based on 27°CDB / 19°CWB (Indoor temperature), 35°CDB (Outdoor temperature). Heating capacity is based on 20°CDB (Indoor temperature), 7°CDB / 6°CWB (Outdoor temperature).
 - The total capacity of connected indoor units is up to 9.0 kW.
 - It is impossible to connect only one indoor unit.
 - Capacities are based on the following conditions.
Corresponding refrigerant piping length: 5 m
Level difference: 0 m
 - indicates the rated combination of indoor unit.

3D138505

Heating [50 Hz, 220 V]

Combination of indoor unit	Capacity of each indoor unit									
	Each capacity (kW)			Total capacity (kW)		Total input (kW)		Total current (A)		Power factor (%)
	A room	B room	C room	Rating	(min ~ max)	Rating	(min ~ max)	Rating	(min ~ max)	Rating
2.0	2.80	---	---	2.80	0.80 ~ 3.85	0.63	0.23 ~ 1.08	2.9	1.1 ~ 5.0	99
2.5	3.40	---	---	3.40	0.80 ~ 4.15	0.80	0.22 ~ 1.15	3.7	1.1 ~ 5.3	99
3.5	4.30	---	---	4.30	0.80 ~ 4.85	1.10	0.22 ~ 1.74	5.1	1.1 ~ 8.0	99
5.0	6.10	---	---	6.10	0.80 ~ 6.90	1.94	0.21 ~ 2.88	8.9	1.0 ~ 13.3	99
2.0+2.0	2.45	2.45	---	4.90	1.00 ~ 7.28	1.16	0.23 ~ 2.58	5.3	1.1 ~ 11.9	99
2.0+2.5	2.44	3.06	---	5.50	1.00 ~ 7.39	1.31	0.23 ~ 2.56	6.0	1.1 ~ 11.8	99
2.0+3.5	2.32	4.06	---	6.38	1.00 ~ 7.52	1.51	0.23 ~ 2.53	6.9	1.1 ~ 11.7	99
2.0+5.0	2.06	5.16	---	7.22	1.00 ~ 8.37	1.67	0.22 ~ 2.50	7.7	1.1 ~ 11.5	99
2.5+2.5	3.05	3.05	---	6.10	1.00 ~ 7.50	1.44	0.23 ~ 2.54	6.6	1.1 ~ 11.7	99
2.5+3.5	2.78	3.88	---	6.66	1.00 ~ 7.63	1.59	0.23 ~ 2.51	7.3	1.1 ~ 11.6	99
2.5+5.0	2.50	5.00	---	7.50	1.00 ~ 8.48	1.75	0.22 ~ 2.48	8.0	1.1 ~ 11.4	99
3.5+3.5	3.61	3.61	---	7.22	1.00 ~ 7.76	1.82	0.22 ~ 2.48	8.4	1.1 ~ 11.4	99
3.5+5.0	3.09	4.41	---	7.50	1.00 ~ 8.61	1.70	0.22 ~ 2.45	7.8	1.1 ~ 11.3	99
2.0+2.0+2.0	2.22	2.22	2.22	6.66	1.20 ~ 8.87	1.44	0.25 ~ 2.25	6.6	1.2 ~ 10.4	99
2.0+2.0+2.5	2.14	2.14	2.66	6.94	1.20 ~ 8.98	1.51	0.25 ~ 2.23	6.9	1.2 ~ 10.3	99
2.0+2.0+3.5	2.00	2.00	3.50	7.50	1.20 ~ 9.11	1.67	0.24 ~ 2.20	7.7	1.2 ~ 10.2	99
2.0+2.0+5.0	1.67	1.67	4.16	7.50	1.20 ~ 9.33	1.50	0.23 ~ 2.08	6.9	1.1 ~ 9.6	99
2.0+2.5+2.5	2.06	2.58	2.58	7.22	1.20 ~ 9.09	1.59	0.24 ~ 2.21	7.3	1.2 ~ 10.2	99
2.0+2.5+3.5	1.88	2.34	3.28	7.50	1.20 ~ 9.22	1.62	0.24 ~ 2.18	7.4	1.2 ~ 10.1	99
2.0+3.5+3.5	1.66	2.92	2.92	7.50	1.20 ~ 9.35	1.58	0.23 ~ 2.15	7.3	1.1 ~ 9.9	99
2.5+2.5+2.5	2.50	2.50	2.50	7.50	1.20 ~ 9.20	1.63	0.24 ~ 2.18	7.5	1.2 ~ 10.1	99
2.5+2.5+3.5	2.21	2.21	3.08	7.50	1.20 ~ 9.33	1.61	0.23 ~ 2.15	7.4	1.1 ~ 9.9	99

- Notes:**
- Cooling capacity is based on 27°CDB / 19°CWB (Indoor temperature), 35°CDB (Outdoor temperature).
Heating capacity is based on 20°CDB (Indoor temperature), 7°CDB / 6°CWB (Outdoor temperature).
 - The total capacity of connected indoor units is up to 9.0 kW.
 - It is impossible to connect only one indoor unit.
 - Capacities are based on the following conditions.
Corresponding refrigerant piping length: 5 m
Level difference: 0 m
 - indicates the rated combination of indoor unit.

3D138506

3.4 Combination Capacity: 4MXM80RVM2

1

Cooling [50 Hz, 220 V]

Combination of indoor unit	Capacity of each indoor unit										
	Each capacity (kW)				Total capacity (kW)		Total input (kW)		Total current (A)		Power factor (%)
	A room	B room	C room	D room	Rating	(min ~ max)	Rating	(min ~ max)	Rating	(min ~ max)	Rating
2.0	2.00	---	---	---	2.00	0.80 ~ 3.49	0.46	0.22 ~ 1.00	2.1	1.1 ~ 4.6	99
2.5	2.50	---	---	---	2.50	0.80 ~ 3.91	0.58	0.22 ~ 1.11	2.7	1.1 ~ 5.1	99
3.5	3.50	---	---	---	3.50	0.80 ~ 5.09	0.91	0.22 ~ 1.56	4.2	1.1 ~ 7.2	99
5.0	5.00	---	---	---	5.00	0.80 ~ 6.49	1.19	0.21 ~ 2.39	5.5	1.0 ~ 11.0	99
6.0	6.00	---	---	---	6.00	0.80 ~ 7.21	1.53	0.20 ~ 2.81	7.0	1.0 ~ 13.0	99
2.0+2.0	2.00	2.00	---	---	4.00	1.00 ~ 6.41	0.88	0.21 ~ 2.12	4.0	1.0 ~ 9.8	99
2.0+2.5	2.00	2.50	---	---	4.50	1.00 ~ 6.62	1.02	0.21 ~ 2.32	4.7	1.0 ~ 10.7	99
2.0+3.5	2.00	3.50	---	---	5.50	1.00 ~ 6.85	1.47	0.21 ~ 2.75	6.7	1.0 ~ 12.7	99
2.0+5.0	1.90	4.76	---	---	6.66	1.00 ~ 7.96	1.61	0.20 ~ 2.99	7.4	1.0 ~ 13.8	99
2.0+6.0	1.83	5.50	---	---	7.33	1.00 ~ 7.96	1.77	0.20 ~ 3.06	8.1	1.0 ~ 14.1	99
2.5+2.5	2.50	2.50	---	---	5.00	1.00 ~ 6.65	1.26	0.21 ~ 2.32	5.8	1.0 ~ 10.7	99
2.5+3.5	2.50	3.50	---	---	6.00	1.00 ~ 6.89	1.70	0.21 ~ 2.75	7.8	1.0 ~ 12.7	99
2.5+5.0	2.33	4.67	---	---	7.00	1.00 ~ 7.99	1.74	0.20 ~ 2.99	8.0	1.0 ~ 13.8	99
2.5+6.0	2.25	5.41	---	---	7.66	1.00 ~ 8.12	1.93	0.20 ~ 2.97	8.9	1.0 ~ 13.7	99
3.5+3.5	3.33	3.33	---	---	6.66	1.00 ~ 6.95	2.14	0.21 ~ 3.05	9.8	1.0 ~ 14.1	99
3.5+5.0	3.15	4.51	---	---	7.66	1.00 ~ 8.23	2.04	0.20 ~ 2.99	9.4	1.0 ~ 13.8	99
3.5+6.0	2.95	5.05	---	---	8.00	1.00 ~ 8.26	2.10	0.20 ~ 3.01	9.6	1.0 ~ 13.9	99
5.0+5.0	4.00	4.00	---	---	8.00	1.00 ~ 8.52	1.78	0.19 ~ 3.12	8.2	0.9 ~ 14.4	99
5.0+6.0	3.64	4.36	---	---	8.00	1.00 ~ 8.66	1.71	0.18 ~ 3.07	7.9	0.9 ~ 14.1	99
2.0+2.0+2.0	2.00	2.00	2.00	---	6.00	1.20 ~ 7.90	1.35	0.23 ~ 2.65	6.2	1.1 ~ 12.2	99
2.0+2.0+2.5	1.95	1.95	2.43	---	6.33	1.20 ~ 8.09	1.44	0.23 ~ 2.94	6.6	1.1 ~ 13.5	99
2.0+2.0+3.5	1.87	1.87	3.26	---	7.00	1.20 ~ 8.14	1.62	0.23 ~ 2.94	7.4	1.1 ~ 13.5	99
2.0+2.0+5.0	1.78	1.78	4.44	---	8.00	1.20 ~ 8.61	1.71	0.21 ~ 2.92	7.9	1.0 ~ 13.5	99
2.0+2.0+6.0	1.60	1.60	4.80	---	8.00	1.20 ~ 9.10	1.78	0.21 ~ 2.90	8.2	1.0 ~ 13.4	99
2.0+2.5+2.5	1.90	2.38	2.38	---	6.66	1.20 ~ 8.12	1.57	0.22 ~ 2.94	7.2	1.1 ~ 13.5	99
2.0+2.5+3.5	1.83	2.29	3.21	---	7.33	1.20 ~ 8.13	1.82	0.22 ~ 2.94	8.4	1.1 ~ 13.5	99
2.0+2.5+5.0	1.68	2.11	4.21	---	8.00	1.20 ~ 9.02	1.82	0.21 ~ 2.91	8.4	1.0 ~ 13.4	99
2.0+2.5+6.0	1.52	1.90	4.58	---	8.00	1.20 ~ 9.28	1.78	0.21 ~ 2.90	8.2	1.0 ~ 13.4	99
2.0+3.5+3.5	1.78	3.11	3.11	---	8.00	1.20 ~ 8.16	2.02	0.22 ~ 2.97	9.3	1.1 ~ 13.7	99
2.0+3.5+5.0	1.52	2.67	3.81	---	8.00	1.20 ~ 9.12	1.82	0.21 ~ 2.91	8.4	1.0 ~ 13.4	99
2.5+2.5+2.5	2.33	2.33	2.33	---	7.00	1.20 ~ 8.15	1.59	0.22 ~ 2.94	7.3	1.1 ~ 13.5	99
2.5+2.5+3.5	2.25	2.25	3.16	---	7.66	1.20 ~ 8.16	1.85	0.22 ~ 2.93	8.5	1.1 ~ 13.5	99
2.5+2.5+5.0	2.00	2.00	4.00	---	8.00	1.20 ~ 9.12	1.82	0.21 ~ 2.91	8.4	1.0 ~ 13.4	99
2.5+2.5+6.0	1.82	1.82	4.36	---	8.00	1.20 ~ 9.29	1.78	0.21 ~ 2.90	8.2	1.0 ~ 13.4	99
2.5+3.5+3.5	2.10	2.95	2.95	---	8.00	1.20 ~ 8.36	2.22	0.22 ~ 2.97	10.2	1.1 ~ 13.7	99
2.5+3.5+5.0	1.82	2.55	3.63	---	8.00	1.20 ~ 9.30	1.82	0.21 ~ 2.91	8.4	1.0 ~ 13.4	99
3.5+3.5+3.5	2.67	2.67	2.67	---	8.00	1.20 ~ 8.40	2.21	0.22 ~ 3.02	10.1	1.1 ~ 13.9	99
2.0+2.0+2.0+2.0	2.00	2.00	2.00	2.00	8.00	1.60 ~ 9.34	2.20	0.30 ~ 2.94	10.1	1.4 ~ 13.5	99
2.0+2.0+2.0+2.5	1.88	1.88	1.88	2.36	8.00	1.60 ~ 9.36	2.19	0.30 ~ 2.94	10.1	1.4 ~ 13.5	99
2.0+2.0+2.0+3.5	1.68	1.68	1.68	2.96	8.00	1.60 ~ 9.39	2.19	0.30 ~ 2.97	10.1	1.4 ~ 13.7	99
2.0+2.0+2.0+5.0	1.45	1.45	1.45	3.65	8.00	1.60 ~ 9.77	2.00	0.28 ~ 2.92	9.2	1.3 ~ 13.5	99
2.0+2.0+2.5+2.5	1.78	1.78	2.22	2.22	8.00	1.60 ~ 9.40	2.19	0.30 ~ 2.97	10.1	1.4 ~ 13.7	99
2.0+2.0+2.5+3.5	1.60	1.60	2.00	2.80	8.00	1.60 ~ 9.41	2.19	0.30 ~ 2.97	10.1	1.4 ~ 13.7	99
2.0+2.0+3.5+3.5	1.45	1.45	2.55	2.55	8.00	1.60 ~ 9.42	2.19	0.30 ~ 2.97	10.1	1.4 ~ 13.7	99
2.0+2.5+2.5+2.5	1.67	2.11	2.11	2.11	8.00	1.60 ~ 9.41	2.19	0.30 ~ 2.97	10.1	1.4 ~ 13.7	99
2.0+2.5+2.5+3.5	1.52	1.90	1.90	2.68	8.00	1.60 ~ 9.42	2.16	0.30 ~ 2.97	9.9	1.4 ~ 13.7	99
2.5+2.5+2.5+2.5	2.00	2.00	2.00	2.00	8.00	1.60 ~ 9.40	2.13	0.30 ~ 2.97	9.8	1.4 ~ 13.7	99
2.5+2.5+2.5+3.5	1.82	1.82	1.82	2.54	8.00	1.60 ~ 9.40	2.12	0.30 ~ 2.97	9.7	1.4 ~ 13.7	99

- Notes:**
- Cooling capacity is based on 27°CDB / 19°CWB (Indoor temperature), 35°CDB (Outdoor temperature). Heating capacity is based on 20°CDB (Indoor temperature), 7°CDB / 6°CWB (Outdoor temperature).
 - The total capacity of connected indoor units is up to 11.0 kW.
 - It is impossible to connect only one indoor unit.
 - Capacities are based on the following conditions.
Corresponding refrigerant piping length: 5 m
Level difference: 0 m
 - indicates the rated combination of indoor unit.

3D138508

Heating [50 Hz, 220 V]

Combination of indoor unit	Capacity of each indoor unit										
	Each capacity (kW)				Total capacity (kW)		Total input (kW)		Total current (A)		Power factor (%)
	A room	B room	C room	D room	Rating	(min ~ max)	Rating	(min ~ max)	Rating	(min ~ max)	Rating
2.0	2.80	---	---	---	2.80	0.80 ~ 3.89	0.66	0.23 ~ 1.23	3.0	1.1 ~ 5.7	99
2.5	3.40	---	---	---	3.40	0.80 ~ 4.16	0.84	0.22 ~ 1.22	3.9	1.1 ~ 5.7	99
3.5	4.30	---	---	---	4.30	0.80 ~ 4.85	1.16	0.22 ~ 2.05	5.3	1.1 ~ 9.5	99
5.0	6.10	---	---	---	6.10	0.80 ~ 6.91	2.03	0.21 ~ 3.31	9.3	1.0 ~ 15.2	99
6.0	7.30	---	---	---	7.30	0.80 ~ 7.46	3.08	0.21 ~ 3.14	14.1	1.0 ~ 14.5	99
2.0+2.0	2.45	2.45	---	---	4.90	1.00 ~ 7.29	1.17	0.23 ~ 2.96	5.4	1.1 ~ 13.6	99
2.0+2.5	2.44	3.06	---	---	5.50	1.00 ~ 7.42	1.42	0.23 ~ 3.27	6.5	1.1 ~ 15.1	99
2.0+3.5	2.44	4.26	---	---	6.70	1.00 ~ 7.55	2.53	0.23 ~ 3.23	11.6	1.1 ~ 14.9	99
2.0+5.0	2.21	5.52	---	---	7.73	1.00 ~ 8.42	2.50	0.22 ~ 3.33	11.5	1.1 ~ 15.3	99
2.0+6.0	2.04	6.12	---	---	8.16	1.00 ~ 8.74	2.66	0.22 ~ 3.14	12.2	1.1 ~ 14.5	99
2.5+2.5	3.05	3.05	---	---	6.10	1.00 ~ 7.53	1.64	0.23 ~ 3.24	7.5	1.1 ~ 14.9	99
2.5+3.5	3.04	4.26	---	---	7.30	1.00 ~ 7.79	2.24	0.23 ~ 3.26	10.3	1.1 ~ 15.0	99
2.5+5.0	2.65	5.29	---	---	7.94	1.00 ~ 8.54	2.59	0.22 ~ 3.30	11.9	1.1 ~ 15.2	99
2.5+6.0	2.46	5.92	---	---	8.38	1.00 ~ 8.86	2.67	0.22 ~ 3.10	12.3	1.1 ~ 14.3	99
3.5+3.5	3.87	3.87	---	---	7.73	1.00 ~ 8.50	2.86	0.22 ~ 3.34	13.1	1.1 ~ 15.4	99
3.5+5.0	3.45	4.93	---	---	8.38	1.00 ~ 8.68	2.60	0.22 ~ 3.26	11.9	1.1 ~ 15.0	99
3.5+6.0	3.21	5.49	---	---	8.70	1.00 ~ 9.00	2.90	0.22 ~ 3.07	13.3	1.1 ~ 14.1	99
5.0+5.0	4.50	4.50	---	---	9.00	1.00 ~ 9.41	2.60	0.22 ~ 3.15	11.9	1.1 ~ 14.5	99
5.0+6.0	4.09	4.91	---	---	9.00	1.00 ~ 9.52	2.52	0.22 ~ 2.90	11.6	1.1 ~ 13.4	99
2.0+2.0+2.0	2.43	2.43	2.43	---	7.30	1.20 ~ 8.88	1.92	0.25 ~ 2.86	8.8	1.2 ~ 13.2	99
2.0+2.0+2.5	2.31	2.31	2.89	---	7.51	1.20 ~ 8.99	1.96	0.25 ~ 2.93	9.0	1.2 ~ 13.5	99
2.0+2.0+3.5	2.12	2.12	3.70	---	7.94	1.20 ~ 9.13	2.13	0.24 ~ 2.90	9.8	1.2 ~ 13.4	99
2.0+2.0+5.0	2.00	2.00	5.00	---	9.00	1.20 ~ 9.45	2.30	0.23 ~ 2.68	10.6	1.1 ~ 12.4	99
2.0+2.0+6.0	1.80	1.80	5.40	---	9.00	1.20 ~ 9.74	2.06	0.24 ~ 2.50	9.5	1.2 ~ 11.5	99
2.0+2.5+2.5	2.21	2.76	2.76	---	7.73	1.20 ~ 9.11	2.04	0.24 ~ 2.90	9.4	1.2 ~ 13.4	99
2.0+2.5+3.5	2.04	2.55	3.57	---	8.16	1.20 ~ 9.25	2.21	0.24 ~ 2.87	10.1	1.2 ~ 13.2	99
2.0+2.5+5.0	1.89	2.37	4.74	---	9.00	1.20 ~ 9.56	2.24	0.23 ~ 2.65	10.3	1.1 ~ 12.2	99
2.0+2.5+6.0	1.71	2.14	5.15	---	9.00	1.20 ~ 9.85	2.00	0.23 ~ 2.47	9.2	1.1 ~ 11.4	99
2.0+3.5+3.5	2.00	3.50	3.50	---	9.00	1.20 ~ 9.39	2.53	0.23 ~ 2.83	11.6	1.1 ~ 13.0	99
2.0+3.5+5.0	1.71	3.00	4.29	---	9.00	1.20 ~ 9.69	2.15	0.23 ~ 2.62	9.9	1.1 ~ 12.1	99
2.5+2.5+2.5	2.65	2.65	2.65	---	7.94	1.20 ~ 9.22	2.08	0.24 ~ 2.87	9.6	1.2 ~ 13.2	99
2.5+2.5+3.5	2.46	2.46	3.46	---	8.38	1.20 ~ 9.37	2.26	0.23 ~ 2.83	10.4	1.1 ~ 13.0	99
2.5+2.5+5.0	2.25	2.25	4.50	---	9.00	1.20 ~ 9.67	2.19	0.22 ~ 2.62	10.1	1.1 ~ 12.1	99
2.5+2.5+6.0	2.05	2.05	4.90	---	9.00	1.20 ~ 9.96	1.95	0.22 ~ 2.44	9.0	1.1 ~ 11.3	99
2.5+3.5+3.5	2.36	3.32	3.32	---	9.00	1.20 ~ 9.51	2.51	0.23 ~ 2.80	11.5	1.1 ~ 12.9	99
2.5+3.5+5.0	2.05	2.86	4.09	---	9.00	1.20 ~ 9.80	2.09	0.22 ~ 2.59	9.6	1.1 ~ 11.9	99
3.5+3.5+3.5	3.00	3.00	3.00	---	9.00	1.20 ~ 9.65	2.44	0.23 ~ 2.76	11.2	1.1 ~ 12.7	99
2.0+2.0+2.0+2.0	2.04	2.04	2.04	2.04	8.16	1.60 ~ 9.39	1.91	0.32 ~ 2.37	8.8	1.5 ~ 10.9	99
2.0+2.0+2.0+2.5	1.97	1.97	1.97	2.47	8.38	1.60 ~ 9.49	1.94	0.32 ~ 2.34	8.9	1.5 ~ 10.8	99
2.0+2.0+2.0+3.5	1.89	1.89	1.89	3.33	9.00	1.60 ~ 9.62	2.10	0.32 ~ 2.30	9.6	1.5 ~ 10.6	99
2.0+2.0+2.0+5.0	1.64	1.64	1.64	4.08	9.00	1.60 ~ 10.44	1.85	0.30 ~ 2.26	8.5	1.4 ~ 10.4	99
2.0+2.0+2.5+2.5	2.00	2.00	2.50	2.50	9.00	1.60 ~ 9.60	2.09	0.32 ~ 2.31	9.6	1.5 ~ 10.7	99
2.0+2.0+2.5+3.5	1.80	1.80	2.25	3.15	9.00	1.60 ~ 9.72	2.05	0.32 ~ 2.28	9.4	1.5 ~ 10.5	99
2.0+2.0+3.5+3.5	1.64	1.64	2.86	2.86	9.00	1.60 ~ 9.85	1.99	0.31 ~ 2.24	9.1	1.5 ~ 10.3	99
2.0+2.5+2.5+2.5	1.89	2.37	2.37	2.37	9.00	1.60 ~ 9.70	2.05	0.32 ~ 2.28	9.4	1.5 ~ 10.5	99
2.0+2.5+2.5+3.5	1.72	2.14	2.14	3.00	9.00	1.60 ~ 9.83	1.99	0.31 ~ 2.25	9.1	1.5 ~ 10.4	99
2.5+2.5+2.5+2.5	2.25	2.25	2.25	2.25	9.00	1.60 ~ 9.60	2.08	0.32 ~ 2.25	8.9	1.5 ~ 10.4	99
2.5+2.5+2.5+3.5	2.05	2.05	2.05	2.85	9.00	1.60 ~ 9.72	2.02	0.31 ~ 2.22	9.3	1.5 ~ 10.2	99

- Notes:**
- Cooling capacity is based on 27°CDB / 19°CWB (Indoor temperature), 35°CDB (Outdoor temperature). Heating capacity is based on 20°CDB (Indoor temperature), 7°CDB / 6°CWB (Outdoor temperature).
 - The total capacity of connected indoor units is up to 11.0 kW.
 - It is impossible to connect only one indoor unit.
 - Capacities are based on the following conditions.
Corresponding refrigerant piping length: 5 m
Level difference: 0 m
 - indicates the rated combination of indoor unit.

3D138509

3.5 Combination Capacity: 4MXM100RVM2

1

Cooling [50 Hz, 220 V]

Combination of indoor unit	Capacity of each indoor unit										
	Each capacity (kW)				Total capacity (kW)		Total input (kW)		Total current (A)		Power factor (%)
	A room	B room	C room	D room	Rating	(min ~ max)	Rating	(min ~ max)	Rating	(min ~ max)	Rating
2.0	2.00	---	---	---	2.00	0.80 ~ 3.60	0.46	0.22 ~ 1.09	2.1	1.1 ~ 5.1	99
2.5	2.50	---	---	---	2.50	0.80 ~ 3.93	0.58	0.22 ~ 1.09	2.7	1.1 ~ 5.1	99
3.5	3.50	---	---	---	3.50	0.80 ~ 5.10	0.90	0.22 ~ 1.44	4.1	1.1 ~ 6.7	99
5.0	5.00	---	---	---	5.00	0.80 ~ 6.98	1.17	0.21 ~ 2.28	5.4	1.0 ~ 10.5	99
6.0	6.00	---	---	---	6.00	0.80 ~ 7.57	1.46	0.21 ~ 2.51	6.7	1.0 ~ 11.6	99
7.1	7.10	---	---	---	7.10	0.80 ~ 8.03	1.96	0.20 ~ 3.05	9.0	1.0 ~ 14.1	99
2.0+2.0	2.00	2.00	---	---	4.00	1.00 ~ 6.45	0.95	0.21 ~ 1.98	4.4	1.0 ~ 9.1	99
2.0+2.5	2.00	2.50	---	---	4.50	1.00 ~ 6.66	1.08	0.21 ~ 2.29	5.0	1.0 ~ 10.6	99
2.0+3.5	2.00	3.50	---	---	5.50	1.00 ~ 7.02	1.43	0.21 ~ 2.54	6.6	1.0 ~ 11.7	99
2.0+5.0	2.00	5.00	---	---	7.00	1.00 ~ 8.53	1.71	0.20 ~ 3.01	7.9	1.0 ~ 13.9	99
2.0+6.0	1.90	5.69	---	---	7.59	1.00 ~ 8.74	1.87	0.20 ~ 3.00	8.6	1.0 ~ 13.8	99
2.0+7.1	1.80	6.39	---	---	8.19	1.00 ~ 8.74	2.16	0.20 ~ 3.00	9.9	1.0 ~ 13.8	99
2.5+2.5	2.50	2.50	---	---	5.00	1.00 ~ 6.93	1.23	0.21 ~ 2.28	5.6	1.0 ~ 10.5	99
2.5+3.5	2.50	3.50	---	---	6.00	1.00 ~ 7.24	1.58	0.21 ~ 2.54	7.3	1.0 ~ 11.7	99
2.5+5.0	2.44	4.87	---	---	7.31	1.00 ~ 8.54	1.82	0.20 ~ 3.01	8.4	1.0 ~ 13.9	99
2.5+6.0	2.31	5.55	---	---	7.86	1.00 ~ 8.75	1.98	0.20 ~ 3.00	9.1	1.0 ~ 13.8	99
2.5+7.1	2.20	6.26	---	---	8.46	1.00 ~ 8.75	2.34	0.20 ~ 3.00	10.7	1.0 ~ 13.8	99
3.5+3.5	3.50	3.50	---	---	7.00	1.00 ~ 8.08	2.10	0.21 ~ 3.09	9.6	1.0 ~ 14.2	99
3.5+5.0	3.24	4.62	---	---	7.86	1.00 ~ 8.74	2.11	0.20 ~ 3.01	9.7	1.0 ~ 13.9	99
3.5+6.0	3.09	5.31	---	---	8.40	1.00 ~ 8.76	2.28	0.20 ~ 3.00	10.5	1.0 ~ 13.8	99
3.5+7.1	2.84	5.76	---	---	8.60	1.00 ~ 8.76	2.47	0.20 ~ 3.00	11.3	1.0 ~ 13.8	99
5.0+5.0	4.34	4.34	---	---	8.68	1.00 ~ 9.56	2.28	0.18 ~ 2.99	10.5	0.9 ~ 13.8	99
5.0+6.0	4.19	5.03	---	---	9.22	1.00 ~ 9.68	2.60	0.18 ~ 3.00	11.9	0.9 ~ 13.8	99
5.0+7.1	3.93	5.57	---	---	9.50	1.00 ~ 9.68	2.79	0.18 ~ 3.00	12.8	0.9 ~ 13.8	99
6.0+6.0	4.75	4.75	---	---	9.50	1.00 ~ 9.77	2.74	0.18 ~ 3.01	12.6	0.9 ~ 13.9	99
6.0+7.1	4.35	5.15	---	---	9.50	1.00 ~ 9.77	2.74	0.18 ~ 3.01	12.6	0.9 ~ 13.9	99
7.1+7.1	4.75	4.75	---	---	9.50	1.00 ~ 9.77	2.74	0.18 ~ 3.01	12.6	0.9 ~ 13.9	99
2.0+2.0+2.0	2.00	2.00	2.00	---	6.00	1.20 ~ 8.37	1.35	0.23 ~ 2.48	6.2	1.1 ~ 11.4	99
2.0+2.0+2.5	2.00	2.00	2.50	---	6.50	1.20 ~ 8.90	1.55	0.23 ~ 3.02	7.1	1.1 ~ 13.9	99
2.0+2.0+3.5	1.95	1.95	3.41	---	7.31	1.20 ~ 8.91	1.88	0.23 ~ 3.02	8.6	1.1 ~ 13.9	99
2.0+2.0+5.0	1.81	1.81	4.51	---	8.13	1.20 ~ 9.40	1.98	0.21 ~ 2.99	9.1	1.0 ~ 13.8	99
2.0+2.0+6.0	1.74	1.74	5.20	---	8.68	1.20 ~ 9.46	2.22	0.21 ~ 2.99	10.2	1.0 ~ 13.8	99
2.0+2.0+7.1	1.67	1.67	5.94	---	9.28	1.20 ~ 9.74	2.66	0.21 ~ 2.99	12.2	1.0 ~ 13.8	99
2.0+2.5+2.5	2.00	2.50	2.50	---	7.00	1.20 ~ 8.91	1.71	0.23 ~ 3.02	7.9	1.1 ~ 13.9	99
2.0+2.5+3.5	1.90	2.37	3.32	---	7.59	1.20 ~ 8.92	1.99	0.23 ~ 3.02	9.1	1.1 ~ 13.9	99
2.0+2.5+5.0	1.77	2.21	4.42	---	8.40	1.20 ~ 9.43	2.10	0.21 ~ 2.99	9.6	1.0 ~ 13.8	99
2.0+2.5+6.0	1.70	2.13	5.12	---	8.95	1.20 ~ 9.65	2.41	0.21 ~ 3.00	11.1	1.0 ~ 13.8	99
2.0+2.5+7.1	1.64	2.05	5.81	---	9.50	1.20 ~ 10.05	2.53	0.21 ~ 3.00	11.6	1.0 ~ 13.8	99
2.0+3.5+3.5	1.81	3.16	3.16	---	8.13	1.20 ~ 9.29	2.29	0.23 ~ 3.02	10.5	1.1 ~ 13.9	99
2.0+3.5+5.0	1.70	2.98	4.27	---	8.95	1.20 ~ 9.53	2.46	0.21 ~ 2.99	11.3	1.0 ~ 13.8	99
2.0+3.5+6.0	1.65	2.89	4.95	---	9.49	1.20 ~ 10.05	2.53	0.21 ~ 3.00	11.6	1.0 ~ 13.8	99
2.0+3.5+7.1	1.51	2.64	5.35	---	9.50	1.20 ~ 10.05	2.53	0.21 ~ 3.00	11.6	1.0 ~ 13.8	99
2.0+5.0+5.0	1.58	3.96	3.96	---	9.50	1.20 ~ 10.22	2.43	0.20 ~ 3.02	11.2	1.0 ~ 13.9	99
2.0+5.0+6.0	1.46	3.65	4.39	---	9.50	1.20 ~ 10.24	2.45	0.20 ~ 3.04	11.2	1.0 ~ 14.0	99
2.0+5.0+7.1	1.35	3.37	4.78	---	9.50	1.20 ~ 10.30	2.45	0.20 ~ 3.04	11.2	1.0 ~ 14.0	99
2.0+6.0+6.0	1.36	4.07	4.07	---	9.50	1.20 ~ 10.29	2.47	0.20 ~ 3.07	11.3	1.0 ~ 14.1	99
2.5+2.5+2.5	2.44	2.44	2.44	---	7.31	1.20 ~ 8.93	1.82	0.22 ~ 3.02	8.4	1.1 ~ 13.9	99
2.5+2.5+3.5	2.31	2.31	3.24	---	7.86	1.20 ~ 9.12	1.93	0.22 ~ 3.02	8.9	1.1 ~ 13.9	99
2.5+2.5+5.0	2.17	2.17	4.34	---	8.68	1.20 ~ 9.54	2.28	0.21 ~ 2.99	10.5	1.0 ~ 13.8	99
2.5+2.5+6.0	2.10	2.10	5.02	---	9.22	1.20 ~ 9.66	2.60	0.21 ~ 3.00	11.9	1.0 ~ 13.8	99
2.5+2.5+7.1	1.96	1.96	5.58	---	9.50	1.20 ~ 10.05	2.53	0.21 ~ 3.00	11.6	1.0 ~ 13.8	99
2.5+3.5+3.5	2.22	3.09	3.09	---	8.40	1.20 ~ 9.31	2.23	0.22 ~ 3.01	10.2	1.1 ~ 13.9	99
2.5+3.5+5.0	2.10	2.93	4.19	---	9.22	1.20 ~ 9.74	2.40	0.21 ~ 2.99	11.0	1.0 ~ 13.8	99
2.5+3.5+6.0	1.98	2.77	4.75	---	9.50	1.20 ~ 10.06	2.53	0.21 ~ 3.00	11.6	1.0 ~ 13.8	99
2.5+3.5+7.1	1.81	2.54	5.15	---	9.50	1.20 ~ 10.06	2.53	0.21 ~ 3.00	11.6	1.0 ~ 13.8	99
2.5+5.0+5.0	1.90	3.80	3.80	---	9.50	1.20 ~ 10.22	2.43	0.20 ~ 3.02	11.2	1.0 ~ 13.9	99
2.5+5.0+6.0	1.76	3.52	4.22	---	9.50	1.20 ~ 10.24	2.45	0.20 ~ 3.04	11.2	1.0 ~ 14.0	99
2.5+6.0+6.0	1.64	3.93	3.93	---	9.50	1.20 ~ 10.30	2.47	0.20 ~ 3.07	11.3	1.0 ~ 14.1	99
3.5+3.5+3.5	2.98	2.98	2.98	---	8.95	1.20 ~ 9.32	2.61	0.22 ~ 3.01	12.0	1.1 ~ 13.9	99
3.5+3.5+5.0	2.77	2.77	3.96	---	9.50	1.20 ~ 9.94	2.59	0.21 ~ 2.99	11.9	1.0 ~ 13.8	99
3.5+3.5+6.0	2.56	2.56	4.38	---	9.50	1.20 ~ 10.06	2.53	0.21 ~ 3.00	11.6	1.0 ~ 13.8	99
3.5+3.5+7.1	2.36	2.36	4.78	---	9.50	1.20 ~ 10.06	2.53	0.21 ~ 3.00	11.6	1.0 ~ 13.8	99
3.5+5.0+5.0	2.46	3.52	3.52	---	9.50	1.20 ~ 10.22	2.43	0.20 ~ 3.02	11.2	1.0 ~ 13.9	99
3.5+5.0+6.0	2.29	3.28	3.93	---	9.50	1.20 ~ 10.24	2.45	0.20 ~ 3.04	11.2	1.0 ~ 14.0	99
2.0+2.0+2.0+2.0	1.90	1.90	1.90	1.90	7.59	1.60 ~ 9.86	1.67	0.28 ~ 3.11	7.7	1.3 ~ 14.3	99

Combination of indoor unit	Capacity of each indoor unit										
	Each capacity (kW)				Total capacity (kW)		Total input (kW)		Total current (A)		Power factor (%)
	A room	B room	C room	D room	Rating	(min ~ max)	Rating	(min ~ max)	Rating	(min ~ max)	Rating
2.0+2.0+2.0+2.5	1.85	1.85	1.85	2.31	7.86	1.60 ~ 9.87	1.78	0.28 ~ 3.11	8.2	1.3 ~ 14.3	99
2.0+2.0+2.0+3.5	1.77	1.77	1.77	3.09	8.40	1.60 ~ 9.87	2.01	0.28 ~ 3.11	9.2	1.3 ~ 14.3	99
2.0+2.0+2.0+5.0	1.68	1.68	1.68	4.18	9.22	1.60 ~ 10.20	2.28	0.27 ~ 3.14	10.5	1.3 ~ 14.5	99
2.0+2.0+2.0+6.0	1.58	1.58	1.58	4.76	9.50	1.60 ~ 10.24	2.48	0.27 ~ 3.16	11.4	1.3 ~ 14.6	99
2.0+2.0+2.0+7.1	1.45	1.45	1.45	5.15	9.50	1.60 ~ 10.24	2.48	0.27 ~ 3.16	11.4	1.3 ~ 14.6	99
2.0+2.0+2.5+2.5	1.81	1.81	2.26	2.26	8.13	1.60 ~ 9.88	1.90	0.28 ~ 3.11	8.7	1.3 ~ 14.3	99
2.0+2.0+2.5+3.5	1.74	1.74	2.17	3.03	8.68	1.60 ~ 9.88	2.13	0.28 ~ 3.11	9.8	1.3 ~ 14.3	99
2.0+2.0+2.5+5.0	1.65	1.65	2.07	4.13	9.50	1.60 ~ 10.20	2.79	0.27 ~ 3.14	12.8	1.3 ~ 14.5	99
2.0+2.0+2.5+6.0	1.52	1.52	1.90	4.56	9.50	1.60 ~ 10.24	2.74	0.27 ~ 3.16	12.6	1.3 ~ 14.6	99
2.0+2.0+2.5+7.1	1.40	1.40	1.75	4.95	9.50	1.60 ~ 10.24	2.74	0.27 ~ 3.16	12.6	1.3 ~ 14.6	99
2.0+2.0+3.5+3.5	1.68	1.68	2.93	2.93	9.22	1.60 ~ 9.89	2.76	0.28 ~ 3.11	12.7	1.3 ~ 14.3	99
2.0+2.0+3.5+5.0	1.52	1.52	2.66	3.80	9.50	1.60 ~ 10.21	2.79	0.27 ~ 3.14	12.8	1.3 ~ 14.5	99
2.0+2.0+3.5+6.0	1.41	1.41	2.46	4.22	9.50	1.60 ~ 10.24	2.74	0.27 ~ 3.16	12.6	1.3 ~ 14.6	99
2.0+2.0+5.0+5.0	1.36	1.36	3.39	3.39	9.50	1.60 ~ 10.22	2.87	0.27 ~ 3.22	13.2	1.3 ~ 14.8	99
2.0+2.5+2.5+2.5	1.77	2.21	2.21	2.21	8.40	1.60 ~ 9.89	2.19	0.28 ~ 3.11	10.1	1.3 ~ 14.3	99
2.0+2.5+2.5+3.5	1.70	2.13	2.13	2.99	8.95	1.60 ~ 9.89	2.50	0.28 ~ 3.11	11.5	1.3 ~ 14.3	99
2.0+2.5+2.5+5.0	1.58	1.98	1.98	3.96	9.50	1.60 ~ 10.21	2.79	0.27 ~ 3.14	12.8	1.3 ~ 14.5	99
2.0+2.5+2.5+6.0	1.46	1.83	1.83	4.38	9.50	1.60 ~ 10.24	2.74	0.27 ~ 3.16	12.6	1.3 ~ 14.6	99
2.0+2.5+2.5+7.1	1.35	1.68	1.68	4.79	9.50	1.60 ~ 10.24	2.74	0.27 ~ 3.16	12.6	1.3 ~ 14.6	99
2.0+2.5+3.5+3.5	1.65	2.06	2.89	2.89	9.49	1.60 ~ 9.90	2.70	0.28 ~ 3.11	12.4	1.3 ~ 14.3	99
2.0+2.5+3.5+5.0	1.46	1.83	2.56	3.65	9.50	1.60 ~ 10.21	2.79	0.27 ~ 3.14	12.8	1.3 ~ 14.5	99
2.0+2.5+3.5+6.0	1.36	1.70	2.38	4.06	9.50	1.60 ~ 10.24	2.74	0.27 ~ 3.16	12.6	1.3 ~ 14.6	99
2.0+2.5+5.0+5.0	1.31	1.63	3.28	3.28	9.50	1.60 ~ 10.23	2.87	0.27 ~ 3.22	13.2	1.3 ~ 14.8	99
2.0+3.5+3.5+3.5	1.52	2.66	2.66	2.66	9.50	1.60 ~ 9.91	2.63	0.28 ~ 3.11	12.1	1.3 ~ 14.3	99
2.0+3.5+3.5+5.0	1.36	2.38	2.38	3.38	9.50	1.60 ~ 10.21	2.73	0.27 ~ 3.14	12.5	1.3 ~ 14.5	99
2.5+2.5+2.5+2.5	2.17	2.17	2.17	2.17	8.68	1.60 ~ 9.90	2.25	0.28 ~ 3.11	10.3	1.3 ~ 14.3	99
2.5+2.5+2.5+3.5	2.10	2.10	2.10	2.92	9.22	1.60 ~ 9.90	2.63	0.28 ~ 3.11	12.1	1.3 ~ 14.3	99
2.5+2.5+2.5+5.0	1.90	1.90	1.90	3.80	9.50	1.60 ~ 10.21	2.66	0.27 ~ 3.14	12.2	1.3 ~ 14.5	99
2.5+2.5+2.5+6.0	1.76	1.76	1.76	4.22	9.50	1.60 ~ 10.24	2.61	0.27 ~ 3.16	12.0	1.3 ~ 14.6	99
2.5+2.5+3.5+3.5	1.98	1.98	2.77	2.77	9.50	1.60 ~ 9.91	2.90	0.28 ~ 3.11	13.3	1.3 ~ 14.3	99
2.5+2.5+3.5+5.0	1.76	1.76	2.46	3.52	9.50	1.60 ~ 10.21	2.66	0.27 ~ 3.14	12.2	1.3 ~ 14.5	99
2.5+2.5+3.5+6.0	1.64	1.64	2.29	3.93	9.50	1.60 ~ 10.24	2.61	0.27 ~ 3.16	12.0	1.3 ~ 14.6	99
2.5+3.5+3.5+3.5	1.82	2.56	2.56	2.56	9.50	1.60 ~ 9.92	2.83	0.28 ~ 3.11	13.0	1.3 ~ 14.3	99
2.5+3.5+3.5+5.0	1.64	2.29	2.29	3.28	9.50	1.60 ~ 10.21	2.66	0.27 ~ 3.14	12.2	1.3 ~ 14.5	99
3.5+3.5+3.5+3.5	2.38	2.38	2.38	2.38	9.50	1.60 ~ 9.92	2.83	0.28 ~ 3.11	13.0	1.3 ~ 14.3	99

Notes:

- Cooling capacity is based on 27°CDB / 19°CWB (Indoor temperature), 35°CDB (Outdoor temperature).
Heating capacity is based on 20°CDB (Indoor temperature), 7°CDB / 6°CWB (Outdoor temperature).
- The total capacity of connected indoor units is up to 14.5 kW.
- It is impossible to connect only one indoor unit.
- Capacities are based on the following conditions.
Corresponding refrigerant piping length: 5 m
Level difference: 0 m
- indicates the rated combination of indoor unit.

3D138511
3D138512

Heating [50 Hz, 220 V]

Combination of indoor unit	Capacity of each indoor unit										
	Each capacity (kW)				Total capacity (kW)		Total input (kW)		Total current (A)		Power factor (%)
	A room	B room	C room	D room	Rating	(min ~ max)	Rating	(min ~ max)	Rating	(min ~ max)	Rating
2.0	2.80	---	---	---	2.80	0.80 ~ 4.42	0.67	0.22 ~ 1.41	3.1	1.1 ~ 6.5	99
2.5	3.40	---	---	---	3.40	0.80 ~ 4.48	0.84	0.22 ~ 1.49	3.8	1.1 ~ 6.8	99
3.5	4.30	---	---	---	4.30	0.80 ~ 6.32	1.18	0.22 ~ 1.95	5.4	1.1 ~ 8.9	99
5.0	6.10	---	---	---	6.10	0.80 ~ 8.19	1.94	0.20 ~ 2.30	8.9	1.0 ~ 10.5	99
6.0	7.30	---	---	---	7.30	0.80 ~ 8.60	2.38	0.19 ~ 2.47	10.9	0.9 ~ 11.3	99
7.1	8.60	---	---	---	8.60	0.80 ~ 8.97	3.09	0.19 ~ 3.33	14.1	0.9 ~ 15.2	99
2.0+2.0	2.45	2.45	---	---	4.90	1.00 ~ 7.78	1.17	0.23 ~ 2.20	5.3	1.1 ~ 10.1	99
2.0+2.5	2.44	3.06	---	---	5.50	1.00 ~ 8.05	1.38	0.23 ~ 2.27	6.3	1.1 ~ 10.4	99
2.0+3.5	2.44	4.26	---	---	6.70	1.00 ~ 8.35	1.72	0.22 ~ 2.34	7.8	1.1 ~ 10.7	99
2.0+5.0	2.42	6.06	---	---	8.48	1.00 ~ 9.72	2.19	0.21 ~ 3.35	10.0	1.0 ~ 15.3	99
2.0+6.0	2.24	6.70	---	---	8.94	1.00 ~ 10.11	2.25	0.21 ~ 3.28	10.3	1.0 ~ 15.0	99
2.0+7.1	2.06	7.31	---	---	9.37	1.00 ~ 10.23	2.39	0.21 ~ 3.47	10.9	1.0 ~ 15.9	99
2.5+2.5	3.05	3.05	---	---	6.10	1.00 ~ 8.31	1.55	0.22 ~ 2.53	7.1	1.1 ~ 11.6	99
2.5+3.5	3.04	4.26	---	---	7.30	1.00 ~ 8.70	1.92	0.22 ~ 2.59	8.8	1.1 ~ 11.9	99
2.5+5.0	2.92	5.83	---	---	8.75	1.00 ~ 9.79	2.25	0.21 ~ 3.55	10.3	1.0 ~ 16.3	99
2.5+6.0	2.69	6.45	---	---	9.14	1.00 ~ 10.18	2.31	0.21 ~ 3.49	10.5	1.0 ~ 16.0	99
2.5+7.1	2.49	7.07	---	---	9.56	1.00 ~ 10.30	2.45	0.20 ~ 3.45	11.2	1.0 ~ 15.8	99
3.5+3.5	4.24	4.24	---	---	8.48	1.00 ~ 9.29	2.32	0.22 ~ 3.44	10.6	1.1 ~ 15.7	99
3.5+5.0	3.76	5.38	---	---	9.14	1.00 ~ 9.88	2.38	0.21 ~ 3.32	10.9	1.0 ~ 15.2	99
3.5+6.0	3.51	6.01	---	---	9.52	1.00 ~ 10.21	2.40	0.20 ~ 3.26	11.0	1.0 ~ 14.9	99
3.5+7.1	3.29	6.66	---	---	9.95	1.00 ~ 10.31	2.58	0.20 ~ 3.23	11.8	1.0 ~ 14.8	99
5.0+5.0	4.86	4.86	---	---	9.72	1.00 ~ 10.57	2.40	0.20 ~ 3.31	11.0	1.0 ~ 15.2	99
5.0+6.0	4.59	5.51	---	---	10.10	1.00 ~ 10.74	2.42	0.20 ~ 3.24	11.0	1.0 ~ 14.8	99
5.0+7.1	4.26	6.04	---	---	10.30	1.00 ~ 10.76	2.49	0.20 ~ 3.21	11.4	1.0 ~ 14.7	99
6.0+6.0	5.15	5.15	---	---	10.30	1.00 ~ 10.91	2.39	0.19 ~ 3.16	10.9	0.9 ~ 14.5	99
6.0+7.1	4.72	5.58	---	---	10.30	1.00 ~ 10.92	2.37	0.19 ~ 3.13	10.8	0.9 ~ 14.3	99
7.1+7.1	5.15	5.15	---	---	10.30	1.00 ~ 10.94	2.34	0.19 ~ 3.09	10.7	0.9 ~ 14.2	99
2.0+2.0+2.0	2.43	2.43	2.43	---	7.30	1.20 ~ 8.91	1.73	0.24 ~ 2.59	7.9	1.1 ~ 11.9	99
2.0+2.0+2.5	2.43	2.43	3.03	---	7.89	1.20 ~ 9.92	1.87	0.24 ~ 3.11	8.5	1.1 ~ 14.2	99
2.0+2.0+3.5	2.33	2.33	4.09	---	8.75	1.20 ~ 10.00	2.13	0.24 ~ 3.09	9.7	1.1 ~ 14.2	99
2.0+2.0+5.0	2.07	2.07	5.19	---	9.33	1.20 ~ 10.61	2.18	0.23 ~ 3.07	9.9	1.1 ~ 14.1	99
2.0+2.0+6.0	1.94	1.94	5.84	---	9.72	1.20 ~ 11.02	2.20	0.23 ~ 2.99	10.0	1.1 ~ 13.7	99
2.0+2.0+7.1	1.83	1.83	6.48	---	10.14	1.20 ~ 11.04	2.33	0.23 ~ 3.06	10.6	1.1 ~ 14.0	99
2.0+2.5+2.5	2.42	3.03	3.03	---	8.48	1.20 ~ 9.99	2.06	0.24 ~ 3.09	9.4	1.1 ~ 14.2	99
2.0+2.5+3.5	2.24	2.79	3.91	---	8.94	1.20 ~ 10.07	2.19	0.24 ~ 3.08	10.0	1.1 ~ 14.1	99
2.0+2.5+5.0	2.00	2.51	5.01	---	9.52	1.20 ~ 10.93	2.21	0.23 ~ 3.06	10.1	1.1 ~ 14.0	99
2.0+2.5+6.0	1.89	2.36	5.66	---	9.91	1.20 ~ 11.09	2.25	0.23 ~ 2.98	10.3	1.1 ~ 13.6	99
2.0+2.5+7.1	1.78	2.22	6.30	---	10.30	1.20 ~ 11.10	2.35	0.23 ~ 2.98	10.7	1.1 ~ 13.6	99
2.0+3.5+3.5	2.07	3.63	3.63	---	9.33	1.20 ~ 10.50	2.28	0.24 ~ 3.11	10.4	1.1 ~ 14.2	99
2.0+3.5+5.0	1.89	3.30	4.72	---	9.91	1.20 ~ 11.00	2.30	0.23 ~ 3.05	10.5	1.1 ~ 14.0	99
2.0+3.5+6.0	1.79	3.13	5.37	---	10.29	1.20 ~ 11.16	2.34	0.23 ~ 3.00	10.7	1.1 ~ 13.7	99
2.0+3.5+7.1	1.63	2.87	5.80	---	10.30	1.20 ~ 11.18	2.31	0.23 ~ 2.99	10.5	1.1 ~ 13.7	99
2.0+5.0+5.0	1.72	4.29	4.29	---	10.30	1.20 ~ 11.63	2.29	0.22 ~ 3.02	10.5	1.1 ~ 13.8	99
2.0+5.0+6.0	1.58	3.96	4.76	---	10.30	1.20 ~ 11.78	2.19	0.22 ~ 2.98	10.0	1.1 ~ 13.6	99
2.0+5.0+7.1	1.46	3.65	5.19	---	10.30	1.20 ~ 11.79	2.17	0.22 ~ 2.94	9.9	1.1 ~ 13.5	99
2.0+6.0+6.0	1.48	4.41	4.41	---	10.30	1.20 ~ 11.92	2.09	0.22 ~ 2.88	9.5	1.1 ~ 13.2	99
2.5+2.5+2.5	2.92	2.92	2.92	---	8.75	1.20 ~ 10.06	2.12	0.24 ~ 3.08	9.7	1.1 ~ 14.1	99
2.5+2.5+3.5	2.69	2.69	3.76	---	9.14	1.20 ~ 10.14	2.22	0.24 ~ 3.07	10.1	1.1 ~ 14.1	99
2.5+2.5+5.0	2.43	2.43	4.86	---	9.72	1.20 ~ 10.99	2.27	0.23 ~ 3.05	10.4	1.1 ~ 14.0	99
2.5+2.5+6.0	2.30	2.30	5.50	---	10.10	1.20 ~ 11.15	2.27	0.23 ~ 3.01	10.4	1.1 ~ 13.8	99
2.5+2.5+7.1	2.13	2.13	6.04	---	10.30	1.20 ~ 11.16	2.31	0.23 ~ 3.00	10.5	1.1 ~ 13.7	99
2.5+3.5+3.5	2.50	3.51	3.51	---	9.52	1.20 ~ 10.56	2.34	0.24 ~ 3.13	10.7	1.1 ~ 14.3	99
2.5+3.5+5.0	2.30	3.21	4.59	---	10.10	1.20 ~ 11.06	2.36	0.23 ~ 3.11	10.8	1.1 ~ 14.2	99
2.5+3.5+6.0	2.15	3.00	5.15	---	10.30	1.20 ~ 11.22	2.33	0.23 ~ 2.94	10.6	1.1 ~ 13.5	99
2.5+3.5+7.1	1.97	2.75	5.58	---	10.30	1.20 ~ 11.23	2.27	0.23 ~ 2.95	10.4	1.1 ~ 13.5	99
2.5+5.0+5.0	2.06	4.12	4.12	---	10.30	1.20 ~ 11.35	2.28	0.22 ~ 3.06	10.4	1.1 ~ 14.0	99
2.5+5.0+6.0	1.91	3.81	4.58	---	10.30	1.20 ~ 11.83	2.18	0.22 ~ 2.97	9.9	1.1 ~ 13.6	99
2.5+6.0+6.0	1.78	4.26	4.26	---	10.30	1.20 ~ 11.97	2.05	0.22 ~ 2.86	9.4	1.1 ~ 13.1	99
3.5+3.5+3.5	3.30	3.30	3.30	---	9.91	1.20 ~ 10.64	2.43	0.24 ~ 3.11	11.1	1.1 ~ 14.2	99
3.5+3.5+5.0	3.00	3.00	4.30	---	10.30	1.20 ~ 11.13	2.38	0.23 ~ 3.12	10.9	1.1 ~ 14.3	99
3.5+3.5+6.0	2.77	2.77	4.76	---	10.30	1.20 ~ 11.29	2.28	0.23 ~ 3.03	10.4	1.1 ~ 13.9	99
3.5+3.5+7.1	2.56	2.56	5.18	---	10.30	1.20 ~ 11.30	2.25	0.23 ~ 2.99	10.3	1.1 ~ 13.7	99
3.5+5.0+5.0	2.68	3.81	3.81	---	10.30	1.20 ~ 11.58	2.23	0.22 ~ 2.99	10.2	1.1 ~ 13.7	99
3.5+5.0+6.0	2.49	3.55	4.26	---	10.30	1.20 ~ 11.90	2.14	0.22 ~ 2.90	9.8	1.1 ~ 13.3	99
2.0+2.0+2.0+2.0	2.24	2.24	2.24	2.24	8.94	1.60 ~ 10.29	2.19	0.30 ~ 2.70	10.0	1.4 ~ 12.4	99
2.0+2.0+2.0+2.5	2.15	2.15	2.15	2.69	9.14	1.60 ~ 11.20	2.25	0.30 ~ 2.91	10.3	1.4 ~ 13.3	99
2.0+2.0+2.0+3.5	2.00	2.00	2.00	3.52	9.52	1.60 ~ 11.27	2.34	0.30 ~ 2.89	10.7	1.4 ~ 13.2	99

Combination of indoor unit	Capacity of each indoor unit										
	Each capacity (kW)				Total capacity (kW)		Total input (kW)		Total current (A)		Power factor (%)
	A room	B room	C room	D room	Rating	(min ~ max)	Rating	(min ~ max)	Rating	(min ~ max)	Rating
2.0+2.0+2.0+5.0	1.84	1.84	1.84	4.58	10.10	1.60 ~ 11.70	2.39	0.29 ~ 2.86	10.9	1.4 ~ 13.1	99
2.0+2.0+2.0+6.0	1.72	1.72	1.72	5.14	10.30	1.60 ~ 11.83	2.35	0.29 ~ 2.76	10.7	1.4 ~ 12.6	99
2.0+2.0+2.0+7.1	1.57	1.57	1.57	5.59	10.30	1.60 ~ 11.85	2.31	0.29 ~ 2.71	10.5	1.4 ~ 12.4	99
2.0+2.0+2.5+2.5	2.07	2.07	2.59	2.59	9.33	1.60 ~ 11.26	2.27	0.30 ~ 2.89	10.4	1.4 ~ 13.2	99
2.0+2.0+2.5+3.5	1.94	1.94	2.43	3.41	9.72	1.60 ~ 11.33	2.40	0.30 ~ 2.87	11.0	1.4 ~ 13.1	99
2.0+2.0+2.5+5.0	1.79	1.79	2.24	4.48	10.30	1.60 ~ 11.80	2.46	0.29 ~ 2.85	11.2	1.4 ~ 13.1	99
2.0+2.0+2.5+6.0	1.65	1.65	2.06	4.94	10.30	1.60 ~ 11.88	2.33	0.29 ~ 2.74	10.6	1.4 ~ 12.6	99
2.0+2.0+2.5+7.1	1.51	1.51	1.89	5.39	10.30	1.60 ~ 11.90	2.30	0.29 ~ 2.73	10.5	1.4 ~ 12.5	99
2.0+2.0+3.5+3.5	1.84	1.84	3.21	3.21	10.10	1.60 ~ 11.40	2.49	0.30 ~ 2.90	11.4	1.4 ~ 13.3	99
2.0+2.0+3.5+5.0	1.65	1.65	2.88	4.12	10.30	1.60 ~ 11.81	2.40	0.29 ~ 2.83	11.0	1.4 ~ 13.0	99
2.0+2.0+3.5+6.0	1.53	1.53	2.67	4.57	10.30	1.60 ~ 11.94	2.29	0.29 ~ 2.72	10.5	1.4 ~ 12.5	99
2.0+2.0+5.0+5.0	1.47	1.47	3.68	3.68	10.30	1.60 ~ 12.18	2.28	0.28 ~ 2.80	10.4	1.3 ~ 12.8	99
2.0+2.5+2.5+2.5	1.99	2.51	2.51	2.51	9.52	1.60 ~ 11.32	2.33	0.30 ~ 2.88	10.6	1.4 ~ 13.2	99
2.0+2.5+2.5+3.5	1.89	2.36	2.36	3.30	9.91	1.60 ~ 11.39	2.42	0.30 ~ 2.90	11.0	1.4 ~ 13.3	99
2.0+2.5+2.5+5.0	1.72	2.15	2.15	4.28	10.30	1.60 ~ 11.80	2.40	0.29 ~ 2.83	11.0	1.4 ~ 13.0	99
2.0+2.5+2.5+6.0	1.58	1.98	1.98	4.76	10.30	1.60 ~ 11.93	2.29	0.29 ~ 2.72	10.5	1.4 ~ 12.5	99
2.0+2.5+2.5+7.1	1.46	1.83	1.83	5.18	10.30	1.60 ~ 11.94	2.25	0.29 ~ 2.67	10.3	1.4 ~ 12.2	99
2.0+2.5+3.5+3.5	1.79	2.24	3.13	3.13	10.29	1.60 ~ 11.45	2.55	0.30 ~ 2.84	11.6	1.4 ~ 13.0	99
2.0+2.5+3.5+5.0	1.58	1.98	2.77	3.97	10.30	1.60 ~ 11.86	2.39	0.29 ~ 2.81	10.9	1.4 ~ 12.9	99
2.0+2.5+3.5+6.0	1.47	1.84	2.58	4.41	10.30	1.60 ~ 11.99	2.27	0.29 ~ 2.70	10.4	1.4 ~ 12.4	99
2.0+2.5+5.0+5.0	1.42	1.78	3.55	3.55	10.30	1.60 ~ 12.22	2.27	0.28 ~ 2.79	10.4	1.3 ~ 12.8	99
2.0+3.5+3.5+3.5	1.66	2.88	2.88	2.88	10.30	1.60 ~ 11.52	2.49	0.30 ~ 2.86	11.4	1.4 ~ 13.1	99
2.0+3.5+3.5+5.0	1.47	2.58	2.58	3.67	10.30	1.60 ~ 11.92	2.34	0.29 ~ 2.79	10.7	1.4 ~ 12.8	99
2.5+2.5+2.5+2.5	2.43	2.43	2.43	2.43	9.72	1.60 ~ 11.38	2.36	0.30 ~ 2.86	10.8	1.4 ~ 13.1	99
2.5+2.5+2.5+3.5	2.30	2.30	2.30	3.20	10.10	1.60 ~ 11.44	2.48	0.30 ~ 2.84	11.3	1.4 ~ 13.0	99
2.5+2.5+2.5+5.0	2.06	2.06	2.06	4.12	10.30	1.60 ~ 11.80	2.39	0.29 ~ 2.82	10.9	1.4 ~ 12.9	99
2.5+2.5+2.5+6.0	1.91	1.91	1.91	4.57	10.30	1.60 ~ 11.98	2.27	0.29 ~ 2.70	10.4	1.4 ~ 12.4	99
2.5+2.5+3.5+3.5	2.15	2.15	3.00	3.00	10.30	1.60 ~ 11.51	2.50	0.30 ~ 2.86	11.4	1.4 ~ 13.1	99
2.5+2.5+3.5+5.0	1.91	1.91	2.67	3.81	10.30	1.60 ~ 11.91	2.34	0.29 ~ 2.79	10.7	1.4 ~ 12.8	99
2.5+2.5+3.5+6.0	1.78	1.78	2.49	4.25	10.30	1.60 ~ 12.04	2.23	0.29 ~ 2.68	10.2	1.4 ~ 12.3	99
2.5+3.5+3.5+3.5	1.99	2.77	2.77	2.77	10.30	1.60 ~ 11.57	2.45	0.30 ~ 2.80	11.2	1.4 ~ 12.8	99
2.5+3.5+3.5+5.0	1.78	2.49	2.49	3.54	10.30	1.60 ~ 11.97	2.33	0.29 ~ 2.77	10.6	1.4 ~ 12.7	99
3.5+3.5+3.5+3.5	2.58	2.58	2.58	2.58	10.30	1.60 ~ 11.64	2.43	0.29 ~ 2.82	11.1	1.4 ~ 12.9	99

- Notes:**
1. Cooling capacity is based on 27°CDB / 19°CWB (Indoor temperature), 35°CDB (Outdoor temperature). Heating capacity is based on 20°CDB (Indoor temperature), 7°CDB / 6°CWB (Outdoor temperature).
 2. The total capacity of connected indoor units is up to 14.5 kW.
 3. It is impossible to connect only one indoor unit.
 4. Capacities are based on the following conditions.
Corresponding refrigerant piping length: 5 m
Level difference: 0 m
 5. ■ indicates the rated combination of indoor unit.

3D138513
3D138514A

3.6 Combination Capacity: 5MXM110RVM2

1

Cooling [50 Hz, 220 V]

Combination of indoor unit	Capacity of each indoor unit											
	Each capacity (kW)					Total capacity (kW)		Total input (kW)		Total current (A)		Power factor (%)
	A room	B room	C room	D room	E room	Rating	(min ~ max)	Rating	(min ~ max)	Rating	(min ~ max)	Rating
2.0	2.00	---	---	---	---	2.00	0.80 ~ 3.65	0.47	0.19 ~ 1.05	2.2	0.9 ~ 4.9	99
2.5	2.50	---	---	---	---	2.50	0.80 ~ 3.94	0.60	0.19 ~ 1.05	2.8	0.9 ~ 4.9	99
3.5	3.50	---	---	---	---	3.50	0.80 ~ 5.11	0.94	0.19 ~ 1.24	4.3	0.9 ~ 5.7	99
5.0	5.00	---	---	---	---	5.00	0.80 ~ 6.98	1.36	0.18 ~ 2.10	6.2	0.9 ~ 9.7	99
6.0	6.00	---	---	---	---	6.00	0.80 ~ 7.61	1.68	0.18 ~ 2.49	7.7	0.9 ~ 11.5	99
7.1	7.10	---	---	---	---	7.10	0.80 ~ 8.10	2.22	0.18 ~ 2.96	10.2	0.9 ~ 13.6	99
2.0+2.0	2.00	2.00	---	---	---	4.00	1.00 ~ 5.86	1.02	0.21 ~ 2.09	4.7	1.0 ~ 9.6	99
2.0+2.5	2.00	2.50	---	---	---	4.50	1.00 ~ 6.15	1.16	0.21 ~ 2.09	5.3	1.0 ~ 9.6	99
2.0+3.5	2.00	3.50	---	---	---	5.50	1.00 ~ 6.61	1.57	0.21 ~ 2.48	7.2	1.0 ~ 11.4	99
2.0+5.0	2.00	5.00	---	---	---	7.00	1.00 ~ 8.96	1.98	0.22 ~ 3.88	9.1	1.1 ~ 17.9	99
2.0+6.0	2.00	6.00	---	---	---	8.00	1.00 ~ 10.00	2.37	0.22 ~ 3.89	10.9	1.1 ~ 17.9	99
2.0+7.1	2.00	7.10	---	---	---	9.10	1.00 ~ 10.39	2.93	0.22 ~ 3.86	13.5	1.1 ~ 17.8	99
2.5+2.5	2.50	2.50	---	---	---	5.00	1.00 ~ 6.50	1.36	0.21 ~ 2.48	6.2	1.0 ~ 11.4	99
2.5+3.5	2.50	3.50	---	---	---	6.00	1.00 ~ 7.52	1.79	0.21 ~ 2.48	8.2	1.0 ~ 11.4	99
2.5+5.0	2.50	5.00	---	---	---	7.50	1.00 ~ 9.75	2.17	0.22 ~ 3.88	10.0	1.1 ~ 17.9	99
2.5+6.0	2.50	6.00	---	---	---	8.50	1.00 ~ 10.02	2.57	0.22 ~ 3.89	11.8	1.1 ~ 17.9	99
2.5+7.1	2.50	7.10	---	---	---	9.60	1.00 ~ 10.41	3.24	0.22 ~ 3.86	14.9	1.1 ~ 17.8	99
3.5+3.5	3.50	3.50	---	---	---	7.00	1.00 ~ 8.24	2.35	0.21 ~ 3.83	10.8	1.0 ~ 17.6	99
3.5+5.0	3.50	5.00	---	---	---	8.50	1.00 ~ 9.85	2.71	0.22 ~ 3.88	12.4	1.1 ~ 17.9	99
3.5+6.0	3.50	6.00	---	---	---	9.50	1.00 ~ 10.42	3.16	0.22 ~ 3.86	14.5	1.1 ~ 17.8	99
3.5+7.1	3.40	6.90	---	---	---	10.30	1.00 ~ 10.42	3.13	0.22 ~ 3.86	14.4	1.1 ~ 17.8	99
5.0+5.0	5.00	5.00	---	---	---	10.00	1.00 ~ 10.92	3.17	0.21 ~ 3.88	14.6	1.0 ~ 17.9	99
5.0+6.0	5.00	6.00	---	---	---	11.00	1.00 ~ 11.12	3.65	0.21 ~ 3.88	16.8	1.0 ~ 17.9	99
5.0+7.1	4.55	6.45	---	---	---	11.00	1.00 ~ 11.12	3.65	0.21 ~ 3.88	16.8	1.0 ~ 17.9	99
6.0+6.0	5.50	5.50	---	---	---	11.00	1.00 ~ 11.30	3.49	0.21 ~ 3.89	16.0	1.0 ~ 17.9	99
6.0+7.1	5.04	5.96	---	---	---	11.00	1.00 ~ 11.30	3.49	0.21 ~ 3.89	16.0	1.0 ~ 17.9	99
7.1+7.1	5.50	5.50	---	---	---	11.00	1.00 ~ 11.62	3.49	0.21 ~ 3.89	16.0	1.0 ~ 17.9	99
2.0+2.0+2.0	2.00	2.00	2.00	---	---	6.00	1.20 ~ 8.74	1.57	0.26 ~ 2.50	7.2	1.2 ~ 11.5	99
2.0+2.0+2.5	2.00	2.00	2.50	---	---	6.50	1.20 ~ 9.48	1.80	0.26 ~ 3.87	8.3	1.2 ~ 17.8	99
2.0+2.0+3.5	2.00	2.00	3.50	---	---	7.50	1.20 ~ 10.17	2.23	0.26 ~ 3.26	10.2	1.2 ~ 15.0	99
2.0+2.0+5.0	2.00	2.00	5.00	---	---	9.00	1.20 ~ 11.60	2.65	0.26 ~ 3.88	12.2	1.2 ~ 17.9	99
2.0+2.0+6.0	2.00	2.00	6.00	---	---	10.00	1.20 ~ 11.82	3.02	0.25 ~ 3.88	13.9	1.2 ~ 17.9	99
2.0+2.0+7.1	1.98	1.98	7.04	---	---	11.00	1.20 ~ 11.82	3.14	0.25 ~ 3.88	14.4	1.2 ~ 17.9	99
2.0+2.5+2.5	2.00	2.50	2.50	---	---	7.00	1.20 ~ 9.50	1.98	0.26 ~ 3.87	9.1	1.2 ~ 17.8	99
2.0+2.5+3.5	2.00	2.50	3.50	---	---	8.00	1.20 ~ 10.17	2.50	0.26 ~ 3.87	11.5	1.2 ~ 17.8	99
2.0+2.5+5.0	2.00	2.50	5.00	---	---	9.50	1.20 ~ 11.73	2.87	0.26 ~ 3.88	13.2	1.2 ~ 17.9	99
2.0+2.5+6.0	1.96	2.45	5.89	---	---	10.30	1.20 ~ 11.95	3.25	0.25 ~ 3.88	14.9	1.2 ~ 17.9	99
2.0+2.5+7.1	1.90	2.37	6.73	---	---	11.00	1.20 ~ 11.95	3.14	0.25 ~ 3.88	14.4	1.2 ~ 17.9	99
2.0+3.5+3.5	2.00	3.50	3.50	---	---	9.00	1.20 ~ 10.48	3.07	0.26 ~ 3.85	14.1	1.2 ~ 17.7	99
2.0+3.5+5.0	1.96	3.43	4.91	---	---	10.30	1.20 ~ 11.92	2.86	0.25 ~ 3.88	13.1	1.2 ~ 17.9	99
2.0+3.5+6.0	1.91	3.35	5.74	---	---	11.00	1.20 ~ 12.08	3.14	0.25 ~ 3.88	14.4	1.2 ~ 17.9	99
2.0+3.5+7.1	1.75	3.06	6.19	---	---	11.00	1.20 ~ 12.14	3.14	0.25 ~ 3.88	14.4	1.2 ~ 17.9	99
2.0+5.0+5.0	1.84	4.58	4.58	---	---	11.00	1.20 ~ 12.55	2.87	0.24 ~ 3.89	13.2	1.2 ~ 17.9	99
2.0+5.0+6.0	1.69	4.23	5.08	---	---	11.00	1.20 ~ 12.70	3.25	0.23 ~ 3.88	14.9	1.1 ~ 17.9	99
2.0+5.0+7.1	1.56	3.90	5.54	---	---	11.00	1.20 ~ 12.70	3.25	0.23 ~ 3.88	14.9	1.1 ~ 17.9	99
2.0+6.0+6.0	1.58	4.71	4.71	---	---	11.00	1.20 ~ 12.83	3.09	0.23 ~ 3.88	14.2	1.1 ~ 17.9	99
2.0+6.0+7.1	1.46	4.37	5.17	---	---	11.00	1.20 ~ 12.83	3.09	0.23 ~ 3.88	14.2	1.1 ~ 17.9	99
2.5+2.5+2.5	2.50	2.50	2.50	---	---	7.50	1.20 ~ 10.18	2.23	0.26 ~ 3.88	10.2	1.2 ~ 17.9	99
2.5+2.5+3.5	2.50	2.50	3.50	---	---	8.50	1.20 ~ 10.19	2.78	0.26 ~ 3.88	12.8	1.2 ~ 17.9	99
2.5+2.5+5.0	2.50	2.50	5.00	---	---	10.00	1.20 ~ 11.74	3.17	0.25 ~ 3.88	14.6	1.2 ~ 17.9	99
2.5+2.5+6.0	2.50	2.50	6.00	---	---	11.00	1.20 ~ 11.96	3.14	0.25 ~ 3.88	14.4	1.2 ~ 17.9	99
2.5+2.5+7.1	2.27	2.27	6.46	---	---	11.00	1.20 ~ 11.96	3.14	0.25 ~ 3.88	14.4	1.2 ~ 17.9	99
2.5+3.5+3.5	2.50	3.50	3.50	---	---	9.50	1.20 ~ 10.70	2.85	0.26 ~ 3.85	13.1	1.2 ~ 17.7	99
2.5+3.5+5.0	2.50	3.50	5.00	---	---	11.00	1.20 ~ 11.93	3.28	0.25 ~ 3.88	15.1	1.2 ~ 17.9	99
2.5+3.5+6.0	2.29	3.21	5.50	---	---	11.00	1.20 ~ 12.09	3.40	0.25 ~ 3.88	15.6	1.2 ~ 17.9	99
2.5+3.5+7.1	2.10	2.94	5.96	---	---	11.00	1.20 ~ 12.16	3.40	0.25 ~ 3.88	15.6	1.2 ~ 17.9	99
2.5+5.0+5.0	2.20	4.40	4.40	---	---	11.00	1.20 ~ 12.56	3.33	0.24 ~ 3.89	15.3	1.2 ~ 17.9	99
2.5+5.0+6.0	2.04	4.07	4.89	---	---	11.00	1.20 ~ 12.71	3.25	0.23 ~ 3.88	14.9	1.1 ~ 17.9	99
2.5+5.0+7.1	1.88	3.77	5.35	---	---	11.00	1.20 ~ 12.71	3.25	0.23 ~ 3.88	14.9	1.1 ~ 17.9	99
2.5+6.0+6.0	1.90	4.55	4.55	---	---	11.00	1.20 ~ 12.84	3.09	0.23 ~ 3.88	14.2	1.1 ~ 17.9	99
2.5+6.0+7.1	1.76	4.23	5.01	---	---	11.00	1.20 ~ 12.84	3.09	0.23 ~ 3.88	14.2	1.1 ~ 17.9	99
3.5+3.5+3.5	3.43	3.43	3.43	---	---	10.30	1.20 ~ 10.72	3.36	0.26 ~ 3.88	15.4	1.2 ~ 17.9	99
3.5+3.5+5.0	3.21	3.21	4.58	---	---	11.00	1.20 ~ 11.94	3.55	0.25 ~ 3.88	16.3	1.2 ~ 17.9	99
3.5+3.5+6.0	2.96	2.96	5.08	---	---	11.00	1.20 ~ 12.17	3.40	0.25 ~ 3.88	15.6	1.2 ~ 17.9	99

Combination of indoor unit	Capacity of each indoor unit											
	Each capacity (kW)					Total capacity (kW)		Total input (kW)		Total current (A)		Power factor (%)
	A room	B room	C room	D room	E room	Rating	(min ~ max)	Rating	(min ~ max)	Rating	(min ~ max)	Rating
3.5+3.5+7.1	2.73	2.73	5.54	---	---	11.00	1.20 ~ 12.17	3.40	0.25 ~ 3.88	15.6	1.2 ~ 17.9	99
3.5+5.0+5.0	2.86	4.07	4.07	---	---	11.00	1.20 ~ 12.56	3.33	0.24 ~ 3.89	15.3	1.2 ~ 17.9	99
3.5+5.0+6.0	2.66	3.79	4.55	---	---	11.00	1.20 ~ 12.72	3.25	0.23 ~ 3.88	14.9	1.1 ~ 17.9	99
3.5+5.0+7.1	2.47	3.53	5.00	---	---	11.00	1.20 ~ 12.72	3.25	0.23 ~ 3.88	14.9	1.1 ~ 17.9	99
3.5+6.0+6.0	2.48	4.26	4.26	---	---	11.00	1.20 ~ 12.84	3.01	0.23 ~ 3.88	13.8	1.1 ~ 17.9	99
5.0+5.0+5.0	3.67	3.67	3.67	---	---	11.00	1.20 ~ 12.96	2.93	0.22 ~ 3.87	13.5	1.1 ~ 17.8	99
2.0+2.0+2.0+2.0	2.00	2.00	2.00	2.00	---	8.00	1.60 ~ 11.28	2.17	0.34 ~ 3.90	10.0	1.6 ~ 18.0	99
2.0+2.0+2.0+2.5	2.00	2.00	2.00	2.50	---	8.50	1.60 ~ 11.30	2.37	0.34 ~ 3.90	10.9	1.6 ~ 18.0	99
2.0+2.0+2.0+3.5	2.00	2.00	2.00	3.50	---	9.50	1.60 ~ 11.84	2.94	0.34 ~ 3.88	13.5	1.6 ~ 17.9	99
2.0+2.0+2.0+5.0	2.00	2.00	2.00	5.00	---	11.00	1.60 ~ 12.49	3.28	0.32 ~ 3.89	15.1	1.5 ~ 17.9	99
2.0+2.0+2.0+6.0	1.83	1.83	1.83	5.51	---	11.00	1.60 ~ 12.66	3.25	0.31 ~ 3.88	14.9	1.5 ~ 17.9	99
2.0+2.0+2.0+7.1	1.68	1.68	1.68	5.96	---	11.00	1.60 ~ 12.66	3.25	0.31 ~ 3.88	14.9	1.5 ~ 17.9	99
2.0+2.0+2.5+2.5	2.00	2.00	2.50	2.50	---	9.00	1.60 ~ 11.85	2.65	0.34 ~ 3.88	12.2	1.6 ~ 17.9	99
2.0+2.0+2.5+3.5	2.00	2.00	2.50	3.50	---	10.00	1.60 ~ 11.86	3.09	0.34 ~ 3.88	14.2	1.6 ~ 17.9	99
2.0+2.0+2.5+5.0	1.91	1.91	2.39	4.79	---	11.00	1.60 ~ 12.51	3.28	0.32 ~ 3.89	15.1	1.5 ~ 17.9	99
2.0+2.0+2.5+6.0	1.76	1.76	2.20	5.28	---	11.00	1.60 ~ 12.67	3.25	0.31 ~ 3.88	14.9	1.5 ~ 17.9	99
2.0+2.0+2.5+7.1	1.62	1.62	2.02	5.74	---	11.00	1.60 ~ 12.67	3.25	0.31 ~ 3.88	14.9	1.5 ~ 17.9	99
2.0+2.0+3.5+3.5	2.00	2.00	3.50	3.50	---	11.00	1.60 ~ 11.87	3.47	0.34 ~ 3.88	15.9	1.6 ~ 17.9	99
2.0+2.0+3.5+5.0	1.76	1.76	3.08	4.40	---	11.00	1.60 ~ 12.51	3.34	0.32 ~ 3.89	15.3	1.5 ~ 17.9	99
2.0+2.0+3.5+6.0	1.63	1.63	2.85	4.89	---	11.00	1.60 ~ 12.67	3.25	0.31 ~ 3.88	14.9	1.5 ~ 17.9	99
2.0+2.0+3.5+7.1	1.51	1.51	2.64	5.34	---	11.00	1.60 ~ 12.67	3.25	0.31 ~ 3.88	14.9	1.5 ~ 17.9	99
2.0+2.0+5.0+5.0	1.57	1.57	3.93	3.93	---	11.00	1.60 ~ 12.93	3.01	0.31 ~ 3.87	13.8	1.5 ~ 17.8	99
2.0+2.0+5.0+6.0	1.47	1.47	3.67	4.39	---	11.00	1.60 ~ 13.02	2.85	0.31 ~ 3.86	13.1	1.5 ~ 17.8	99
2.0+2.5+2.5+2.5	2.00	2.50	2.50	2.50	---	9.50	1.60 ~ 11.87	2.94	0.34 ~ 3.88	13.5	1.6 ~ 17.9	99
2.0+2.5+2.5+3.5	1.96	2.45	2.45	3.44	---	10.30	1.60 ~ 11.88	3.24	0.34 ~ 3.88	14.9	1.6 ~ 17.9	99
2.0+2.5+2.5+5.0	1.83	2.29	2.29	4.59	---	11.00	1.60 ~ 12.52	3.34	0.32 ~ 3.89	15.3	1.5 ~ 17.9	99
2.0+2.5+2.5+6.0	1.69	2.12	2.12	5.07	---	11.00	1.60 ~ 12.68	3.25	0.31 ~ 3.88	14.9	1.5 ~ 17.9	99
2.0+2.5+2.5+7.1	1.56	1.95	1.95	5.54	---	11.00	1.60 ~ 12.68	3.25	0.31 ~ 3.88	14.9	1.5 ~ 17.9	99
2.0+2.5+3.5+3.5	1.91	2.39	3.35	3.35	---	11.00	1.60 ~ 11.89	3.48	0.34 ~ 3.88	16.0	1.6 ~ 17.9	99
2.0+2.5+3.5+5.0	1.69	2.12	2.96	4.23	---	11.00	1.60 ~ 12.52	3.34	0.32 ~ 3.89	15.3	1.5 ~ 17.9	99
2.0+2.5+3.5+6.0	1.57	1.96	2.75	4.72	---	11.00	1.60 ~ 12.68	3.25	0.31 ~ 3.88	14.9	1.5 ~ 17.9	99
2.0+2.5+3.5+7.1	1.46	1.82	2.55	5.17	---	11.00	1.60 ~ 12.68	3.25	0.31 ~ 3.88	14.9	1.5 ~ 17.9	99
2.0+2.5+5.0+5.0	1.52	1.90	3.79	3.79	---	11.00	1.60 ~ 12.94	3.01	0.31 ~ 3.87	13.8	1.5 ~ 17.8	99
2.0+2.5+5.0+6.0	1.42	1.77	3.55	4.26	---	11.00	1.60 ~ 13.02	2.85	0.31 ~ 3.86	13.1	1.5 ~ 17.8	99
2.0+3.5+3.5+3.5	1.76	3.08	3.08	3.08	---	11.00	1.60 ~ 11.96	3.48	0.34 ~ 3.88	16.0	1.6 ~ 17.9	99
2.0+3.5+3.5+5.0	1.57	2.75	2.75	3.93	---	11.00	1.60 ~ 12.53	3.34	0.32 ~ 3.89	15.3	1.5 ~ 17.9	99
2.0+3.5+3.5+6.0	1.47	2.57	2.57	4.39	---	11.00	1.60 ~ 12.69	3.25	0.31 ~ 3.88	14.9	1.5 ~ 17.9	99
2.0+3.5+5.0+5.0	1.42	2.48	3.55	3.55	---	11.00	1.60 ~ 12.94	2.93	0.29 ~ 3.87	13.5	1.4 ~ 17.8	99
2.5+2.5+2.5+2.5	2.50	2.50	2.50	2.50	---	10.00	1.60 ~ 11.88	3.18	0.34 ~ 3.88	14.6	1.6 ~ 17.9	99
2.5+2.5+2.5+3.5	2.50	2.50	2.50	3.50	---	11.00	1.60 ~ 11.89	3.48	0.34 ~ 3.88	16.0	1.6 ~ 17.9	99
2.5+2.5+2.5+5.0	2.20	2.20	2.20	4.40	---	11.00	1.60 ~ 12.53	3.34	0.32 ~ 3.89	15.3	1.5 ~ 17.9	99
2.5+2.5+2.5+6.0	2.04	2.04	2.04	4.88	---	11.00	1.60 ~ 12.69	3.25	0.31 ~ 3.88	14.9	1.5 ~ 17.9	99
2.5+2.5+2.5+7.1	1.88	1.88	1.88	5.36	---	11.00	1.60 ~ 12.69	3.25	0.31 ~ 3.88	14.9	1.5 ~ 17.9	99
2.5+2.5+3.5+3.5	2.29	2.29	3.21	3.21	---	11.00	1.60 ~ 11.90	3.48	0.34 ~ 3.88	16.0	1.6 ~ 17.9	99
2.5+2.5+3.5+5.0	2.04	2.04	2.85	4.07	---	11.00	1.60 ~ 12.54	3.34	0.32 ~ 3.89	15.3	1.5 ~ 17.9	99
2.5+2.5+3.5+6.0	1.90	1.90	2.66	4.54	---	11.00	1.60 ~ 12.69	3.25	0.31 ~ 3.88	14.9	1.5 ~ 17.9	99
2.5+2.5+3.5+7.1	1.76	1.76	2.47	5.01	---	11.00	1.60 ~ 12.69	3.25	0.31 ~ 3.88	14.9	1.5 ~ 17.9	99
2.5+2.5+5.0+5.0	1.83	1.83	3.67	3.67	---	11.00	1.60 ~ 12.94	2.93	0.29 ~ 3.87	13.5	1.4 ~ 17.8	99
2.5+3.5+3.5+3.5	2.12	2.96	2.96	2.96	---	11.00	1.60 ~ 11.96	3.48	0.34 ~ 3.88	16.0	1.6 ~ 17.9	99
2.5+3.5+3.5+5.0	1.90	2.66	2.66	3.78	---	11.00	1.60 ~ 12.54	3.34	0.32 ~ 3.89	15.3	1.5 ~ 17.9	99
2.5+3.5+3.5+6.0	1.77	2.48	2.48	4.27	---	11.00	1.60 ~ 12.70	3.25	0.31 ~ 3.88	14.9	1.5 ~ 17.9	99
3.5+3.5+3.5+3.5	2.75	2.75	2.75	2.75	---	11.00	1.60 ~ 12.04	3.49	0.34 ~ 3.88	16.0	1.6 ~ 17.9	99
3.5+3.5+3.5+5.0	2.48	2.48	2.48	3.56	---	11.00	1.60 ~ 12.55	3.41	0.32 ~ 3.89	15.7	1.5 ~ 17.9	99
2.0+2.0+2.0+2.0+2.0	2.00	2.00	2.00	2.00	2.00	10.00	2.00 ~ 12.75	2.93	0.40 ~ 3.89	13.5	1.9 ~ 17.9	99
2.0+2.0+2.0+2.0+2.5	1.96	1.96	1.96	1.96	2.46	10.30	2.00 ~ 12.77	3.02	0.40 ~ 3.89	13.9	1.9 ~ 17.9	99
2.0+2.0+2.0+2.0+3.5	1.91	1.91	1.91	1.91	3.36	11.00	2.00 ~ 12.77	3.26	0.40 ~ 3.89	15.0	1.9 ~ 17.9	99
2.0+2.0+2.0+2.0+5.0	1.69	1.69	1.69	1.69	4.24	11.00	2.00 ~ 12.90	3.15	0.36 ~ 3.87	14.5	1.7 ~ 17.8	99
2.0+2.0+2.0+2.0+6.0	1.57	1.57	1.57	1.57	4.72	11.00	2.00 ~ 12.99	3.07	0.35 ~ 3.87	14.1	1.7 ~ 17.8	99
2.0+2.0+2.0+2.0+7.1	1.46	1.46	1.46	1.46	5.16	11.00	2.00 ~ 12.99	3.07	0.35 ~ 3.87	14.1	1.7 ~ 17.8	99
2.0+2.0+2.0+2.5+2.5	2.00	2.00	2.00	2.50	2.50	11.00	2.00 ~ 12.78	3.22	0.40 ~ 3.89	14.8	1.9 ~ 17.9	99
2.0+2.0+2.0+2.5+3.5	1.83	1.83	1.83	2.29	3.22	11.00	2.00 ~ 12.79	3.22	0.40 ~ 3.89	14.8	1.9 ~ 17.9	99
2.0+2.0+2.0+2.5+5.0	1.63	1.63	1.63	2.04	4.07	11.00	2.00 ~ 12.91	3.15	0.36 ~ 3.87	14.5	1.7 ~ 17.8	99
2.0+2.0+2.0+2.5+6.0	1.52	1.52	1.52	1.90	4.54	11.00	2.00 ~ 13.00	2.99	0.35 ~ 3.86	13.7	1.7 ~ 17.8	99
2.0+2.0+2.0+2.5+7.1	1.41	1.41	1.41	1.76	5.01	11.00	2.00 ~ 13.00	2.99	0.35 ~ 3.86	13.7	1.7 ~ 17.8	99
2.0+2.0+2.0+3.5+3.5	1.69	1.69	1.69	2.96	2.96	11.00	2.00 ~ 12.79	3.25	0.40 ~ 3.89	14.9	1.9 ~ 17.9	99
2.0+2.0+2.0+3.5+5.0	1.52	1.52	1.52	2.66	3.78	11.00	2.00 ~ 12.91	3.15	0.36 ~ 3.87	14.5	1.7 ~ 17.8	99
2.0+2.0+2.0+3.5+6.0	1.42	1.42	1.42	2.48	4.26	11.00	2.00 ~ 13.00	2.99	0.35 ~ 3.86	13.7	1.7 ~ 17.8	99
2.0+2.0+2.5+2.5+2.5	1.91	1.91	2.39	2.39	2.39	11.00	2.00 ~ 12.79	3.25	0.40 ~ 3.89	14.9	1.9 ~ 17.9	99
2.0+2.0+2.5+2.5+3.5	1.76	1.76	2.20	2.20	3.08	11.00	2.00 ~ 12.80	3.25	0.40 ~ 3.89	14.9	1.9 ~ 17.9	99

Combination of indoor unit	Capacity of each indoor unit											
	Each capacity (kW)					Total capacity (kW)		Total input (kW)		Total current (A)		Power factor (%)
	A room	B room	C room	D room	E room	Rating	(min ~ max)	Rating	(min ~ max)	Rating	(min ~ max)	Rating
2.0+2.0+2.5+2.5+5.0	1.57	1.57	1.96	1.96	3.94	11.00	2.00 ~ 12.91	3.15	0.36 ~ 3.87	14.5	1.7 ~ 17.8	99
2.0+2.0+2.5+2.5+6.0	1.47	1.47	1.83	1.83	4.40	11.00	2.00 ~ 13.01	2.99	0.35 ~ 3.86	13.7	1.7 ~ 17.8	99
2.0+2.0+2.5+3.5+3.5	1.63	1.63	2.04	2.85	2.85	11.00	2.00 ~ 12.81	3.25	0.40 ~ 3.89	14.9	1.9 ~ 17.9	99
2.0+2.0+2.5+3.5+5.0	1.47	1.47	1.83	2.57	3.66	11.00	2.00 ~ 12.92	3.15	0.36 ~ 3.87	14.5	1.7 ~ 17.8	99
2.0+2.0+3.5+3.5+3.5	1.51	1.51	2.66	2.66	2.66	11.00	2.00 ~ 12.81	3.25	0.40 ~ 3.89	14.9	1.9 ~ 17.9	99
2.0+2.5+2.5+2.5+2.5	1.84	2.29	2.29	2.29	2.29	11.00	2.00 ~ 12.80	3.25	0.40 ~ 3.89	14.9	1.9 ~ 17.9	99
2.0+2.5+2.5+2.5+3.5	1.69	2.12	2.12	2.12	2.95	11.00	2.00 ~ 12.81	3.25	0.40 ~ 3.89	14.9	1.9 ~ 17.9	99
2.0+2.5+2.5+2.5+5.0	1.52	1.90	1.90	1.90	3.78	11.00	2.00 ~ 12.92	3.15	0.36 ~ 3.87	14.5	1.7 ~ 17.8	99
2.0+2.5+2.5+2.5+6.0	1.42	1.77	1.77	1.77	4.27	11.00	2.00 ~ 13.01	2.99	0.35 ~ 3.86	13.7	1.7 ~ 17.8	99
2.0+2.5+2.5+3.5+3.5	1.58	1.96	1.96	2.75	2.75	11.00	2.00 ~ 12.82	3.25	0.40 ~ 3.89	14.9	1.9 ~ 17.9	99
2.0+2.5+2.5+3.5+5.0	1.42	1.77	1.77	2.48	3.56	11.00	2.00 ~ 12.93	3.15	0.36 ~ 3.87	14.5	1.7 ~ 17.8	99
2.0+2.5+3.5+3.5+3.5	1.47	1.82	2.57	2.57	2.57	11.00	2.00 ~ 12.82	3.25	0.40 ~ 3.89	14.9	1.9 ~ 17.9	99
2.5+2.5+2.5+2.5+2.5	2.20	2.20	2.20	2.20	2.20	11.00	2.00 ~ 12.82	3.25	0.40 ~ 3.89	14.9	1.9 ~ 17.9	99
2.5+2.5+2.5+2.5+3.5	2.04	2.04	2.04	2.04	2.84	11.00	2.00 ~ 12.82	3.25	0.40 ~ 3.89	14.9	1.9 ~ 17.9	99
2.5+2.5+2.5+2.5+5.0	1.83	1.83	1.83	1.83	3.68	11.00	2.00 ~ 13.00	3.15	0.36 ~ 3.87	11.7	1.7 ~ 17.8	99
2.5+2.5+2.5+3.5+3.5	1.90	1.90	1.90	2.65	2.65	11.00	2.00 ~ 12.83	3.25	0.40 ~ 3.89	14.9	1.9 ~ 17.9	99
2.5+2.5+3.5+3.5+3.5	1.78	1.78	2.48	2.48	2.48	11.00	2.00 ~ 12.84	3.25	0.40 ~ 3.90	14.9	1.9 ~ 18.0	99

- Notes:**
1. Cooling capacity is based on 27°CDB / 19°CWB (Indoor temperature), 35°CDB (Outdoor temperature). Heating capacity is based on 20°CDB (Indoor temperature), 7°CDB / 6°CWB (Outdoor temperature).
 2. The total capacity of connected indoor units is up to 15.6 kW.
 3. It is impossible to connect only one indoor unit.
 4. Capacities are based on the following conditions.
Corresponding refrigerant piping length: 5 m
Level difference: 0 m
 5. ■ indicates the rated combination of indoor unit.

3D138516
3D138517
3D138518A

Heating [50 Hz, 220 V]

Combination of indoor unit	Capacity of each indoor unit											
	Each capacity (kW)					Total capacity (kW)		Total input (kW)		Total current (A)		Power factor (%)
	A room	B room	C room	D room	E room	Rating	(min ~ max)	Rating	(min ~ max)	Rating	(min ~ max)	Rating
2.0	2.80	---	---	---	---	2.80	0.80 ~ 4.46	0.71	0.20 ~ 1.31	3.3	1.0 ~ 6.1	99
2.5	3.40	---	---	---	---	3.40	0.80 ~ 4.48	0.88	0.20 ~ 1.31	4.0	1.0 ~ 6.1	99
3.5	4.30	---	---	---	---	4.30	0.80 ~ 6.32	1.19	0.20 ~ 2.03	5.5	1.0 ~ 9.4	99
5.0	6.10	---	---	---	---	6.10	0.80 ~ 8.19	1.95	0.19 ~ 3.48	9.0	0.9 ~ 16.0	99
6.0	7.30	---	---	---	---	7.30	0.80 ~ 8.60	2.39	0.19 ~ 3.83	11.0	0.9 ~ 17.6	99
7.1	8.60	---	---	---	---	8.60	0.80 ~ 9.18	3.05	0.19 ~ 4.10	14.0	0.9 ~ 18.9	99
2.0+2.0	2.45	2.45	---	---	---	4.90	1.00 ~ 8.81	1.27	0.22 ~ 3.55	5.8	1.1 ~ 16.3	99
2.0+2.5	2.44	3.06	---	---	---	5.50	1.00 ~ 8.90	1.44	0.22 ~ 3.59	6.6	1.1 ~ 16.5	99
2.0+3.5	2.44	4.26	---	---	---	6.70	1.00 ~ 9.17	1.90	0.22 ~ 3.81	8.7	1.1 ~ 17.5	99
2.0+5.0	2.42	6.06	---	---	---	8.48	1.00 ~ 9.80	2.78	0.22 ~ 3.89	12.8	1.1 ~ 17.9	99
2.0+6.0	2.42	7.24	---	---	---	9.66	1.00 ~ 11.10	3.55	0.22 ~ 4.47	16.3	1.1 ~ 20.6	99
2.0+7.1	2.41	8.55	---	---	---	10.96	1.00 ~ 11.71	3.96	0.22 ~ 4.87	18.2	1.1 ~ 22.4	99
2.5+2.5	3.05	3.05	---	---	---	6.10	1.00 ~ 8.92	1.66	0.22 ~ 3.56	7.6	1.1 ~ 16.4	99
2.5+3.5	3.04	4.26	---	---	---	7.30	1.00 ~ 9.19	2.19	0.22 ~ 3.78	10.1	1.1 ~ 17.4	99
2.5+5.0	3.02	6.05	---	---	---	9.07	1.00 ~ 9.79	3.16	0.22 ~ 3.90	14.5	1.1 ~ 18.0	99
2.5+6.0	2.86	6.85	---	---	---	9.71	1.00 ~ 10.18	3.52	0.22 ~ 3.93	16.2	1.1 ~ 18.1	99
2.5+7.1	2.99	8.51	---	---	---	11.50	1.00 ~ 12.00	4.11	0.22 ~ 4.83	18.9	1.1 ~ 22.2	99
3.5+3.5	4.24	4.24	---	---	---	8.48	1.00 ~ 9.33	3.17	0.22 ~ 3.87	14.6	1.1 ~ 17.8	99
3.5+5.0	4.00	5.71	---	---	---	9.71	1.00 ~ 10.19	3.25	0.22 ~ 3.98	14.9	1.1 ~ 18.3	99
3.5+6.0	4.21	7.22	---	---	---	11.43	1.00 ~ 12.18	4.04	0.22 ~ 4.89	18.5	1.1 ~ 22.5	99
3.5+7.1	3.96	8.04	---	---	---	12.00	1.00 ~ 12.32	4.14	0.22 ~ 4.94	19.0	1.1 ~ 22.7	99
5.0+5.0	6.00	6.00	---	---	---	12.00	1.00 ~ 12.43	4.33	0.22 ~ 4.84	19.9	1.1 ~ 22.3	99
5.0+6.0	5.45	6.55	---	---	---	12.00	1.00 ~ 12.44	4.30	0.22 ~ 4.83	19.7	1.1 ~ 22.2	99
5.0+7.1	4.96	7.04	---	---	---	12.00	1.00 ~ 12.46	3.96	0.21 ~ 4.73	18.2	1.0 ~ 21.8	99
6.0+6.0	6.00	6.00	---	---	---	12.00	1.00 ~ 12.47	4.10	0.21 ~ 4.60	18.8	1.0 ~ 21.2	99
6.0+7.1	5.50	6.50	---	---	---	12.00	1.00 ~ 12.48	3.90	0.21 ~ 4.51	17.9	1.0 ~ 20.8	99
7.1+7.1	6.00	6.00	---	---	---	12.00	1.00 ~ 12.49	3.83	0.21 ~ 4.38	17.6	1.0 ~ 20.2	99
2.0+2.0+2.0	2.43	2.43	2.43	---	---	7.30	1.20 ~ 9.56	1.91	0.26 ~ 3.43	8.8	1.2 ~ 15.8	99
2.0+2.0+2.5	2.43	2.43	3.03	---	---	7.89	1.20 ~ 9.96	2.03	0.26 ~ 3.53	9.3	1.2 ~ 16.3	99
2.0+2.0+3.5	2.42	2.42	4.23	---	---	9.07	1.20 ~ 10.01	2.60	0.26 ~ 3.49	11.9	1.2 ~ 16.1	99
2.0+2.0+5.0	2.41	2.41	6.02	---	---	10.84	1.20 ~ 11.79	3.67	0.26 ~ 4.38	16.9	1.2 ~ 20.2	99
2.0+2.0+6.0	2.40	2.40	7.20	---	---	12.00	1.20 ~ 12.32	3.85	0.25 ~ 4.45	17.7	1.2 ~ 20.5	99
2.0+2.0+7.1	2.16	2.16	7.68	---	---	12.00	1.20 ~ 12.66	3.61	0.25 ~ 4.37	16.6	1.2 ~ 20.1	99
2.0+2.5+2.5	2.42	3.03	3.03	---	---	8.48	1.20 ~ 9.99	2.40	0.26 ~ 3.66	11.0	1.2 ~ 16.9	99
2.0+2.5+3.5	2.42	3.02	4.22	---	---	9.66	1.20 ~ 10.07	3.39	0.26 ~ 3.70	15.6	1.2 ~ 17.0	99
2.0+2.5+5.0	2.41	3.01	6.01	---	---	11.43	1.20 ~ 12.10	3.82	0.25 ~ 4.53	17.5	1.2 ~ 20.8	99
2.0+2.5+6.0	2.29	2.86	6.85	---	---	12.00	1.20 ~ 12.38	3.82	0.25 ~ 4.42	17.5	1.2 ~ 20.3	99
2.0+2.5+7.1	2.07	2.59	7.34	---	---	12.00	1.20 ~ 12.66	3.58	0.25 ~ 4.34	16.4	1.2 ~ 20.0	99
2.0+3.5+3.5	2.40	4.22	4.22	---	---	10.84	1.20 ~ 11.62	3.77	0.26 ~ 4.49	17.3	1.2 ~ 20.7	99
2.0+3.5+5.0	2.29	4.00	5.71	---	---	12.00	1.20 ~ 12.42	3.96	0.25 ~ 4.58	18.2	1.2 ~ 21.1	99
2.0+3.5+6.0	2.09	3.65	6.26	---	---	12.00	1.20 ~ 12.59	3.68	0.25 ~ 4.38	16.9	1.2 ~ 20.2	99
2.0+3.5+7.1	1.90	3.33	6.77	---	---	12.00	1.20 ~ 12.70	3.56	0.24 ~ 4.31	16.3	1.2 ~ 19.8	99
2.0+5.0+5.0	2.00	5.00	5.00	---	---	12.00	1.20 ~ 12.67	3.80	0.25 ~ 4.39	17.4	1.2 ~ 20.2	99
2.0+5.0+6.0	1.85	4.62	5.53	---	---	12.00	1.20 ~ 12.70	3.64	0.24 ~ 4.02	16.7	1.2 ~ 18.5	99
2.0+5.0+7.1	1.70	4.26	6.04	---	---	12.00	1.20 ~ 12.70	3.58	0.24 ~ 3.95	16.4	1.2 ~ 18.2	99
2.0+6.0+6.0	1.72	5.14	5.14	---	---	12.00	1.20 ~ 12.70	3.45	0.23 ~ 3.81	15.8	1.1 ~ 17.5	99
2.0+6.0+7.1	1.59	4.77	5.64	---	---	12.00	1.20 ~ 12.70	3.40	0.23 ~ 3.76	15.6	1.1 ~ 17.3	99
2.5+2.5+2.5	3.02	3.02	3.02	---	---	9.07	1.20 ~ 10.06	2.95	0.26 ~ 3.53	13.5	1.2 ~ 16.3	99
2.5+2.5+3.5	2.86	2.86	3.99	---	---	9.71	1.20 ~ 10.14	2.93	0.26 ~ 3.55	13.5	1.2 ~ 16.3	99
2.5+2.5+5.0	3.00	3.00	6.00	---	---	12.00	1.20 ~ 12.41	3.97	0.25 ~ 4.59	18.2	1.2 ~ 21.1	99
2.5+2.5+6.0	2.73	2.73	6.54	---	---	12.00	1.20 ~ 12.58	3.68	0.25 ~ 4.39	16.9	1.2 ~ 20.2	99
2.5+2.5+7.1	2.48	2.48	7.04	---	---	12.00	1.20 ~ 12.70	3.56	0.24 ~ 4.31	16.3	1.2 ~ 19.8	99
2.5+3.5+3.5	3.01	4.21	4.21	---	---	11.43	1.20 ~ 12.30	3.68	0.26 ~ 4.70	16.9	1.2 ~ 21.6	99
2.5+3.5+5.0	2.73	3.82	5.45	---	---	12.00	1.20 ~ 12.62	3.87	0.25 ~ 4.55	17.8	1.2 ~ 20.9	99
2.5+3.5+6.0	2.50	3.50	6.00	---	---	12.00	1.20 ~ 12.65	3.60	0.25 ~ 4.35	16.5	1.2 ~ 20.0	99
2.5+3.5+7.1	2.29	3.21	6.50	---	---	12.00	1.20 ~ 12.70	3.48	0.24 ~ 4.28	16.0	1.2 ~ 19.7	99
2.5+5.0+5.0	2.40	4.80	4.80	---	---	12.00	1.20 ~ 12.70	3.95	0.24 ~ 4.27	18.1	1.2 ~ 19.7	99
2.5+5.0+6.0	2.22	4.44	5.34	---	---	12.00	1.20 ~ 12.70	3.67	0.24 ~ 4.05	16.9	1.2 ~ 18.6	99
2.5+5.0+7.1	2.05	4.11	5.84	---	---	12.00	1.20 ~ 12.70	3.56	0.23 ~ 3.99	16.3	1.1 ~ 18.4	99
2.5+6.0+6.0	2.06	4.97	4.97	---	---	12.00	1.20 ~ 12.70	3.49	0.23 ~ 3.91	16.0	1.1 ~ 18.0	99
2.5+6.0+7.1	1.92	4.62	5.46	---	---	12.00	1.20 ~ 12.70	3.38	0.23 ~ 3.85	15.5	1.1 ~ 17.7	99
3.5+3.5+3.5	4.00	4.00	4.00	---	---	12.00	1.20 ~ 12.30	4.06	0.26 ~ 4.56	18.6	1.2 ~ 21.0	99
3.5+3.5+5.0	3.50	3.50	5.00	---	---	12.00	1.20 ~ 12.62	3.78	0.25 ~ 4.51	17.4	1.2 ~ 20.8	99
3.5+3.5+6.0	3.23	3.23	5.54	---	---	12.00	1.20 ~ 12.70	3.57	0.24 ~ 4.32	16.4	1.2 ~ 19.9	99
3.5+3.5+7.1	2.98	2.98	6.04	---	---	12.00	1.20 ~ 12.70	3.46	0.24 ~ 3.94	15.9	1.2 ~ 18.1	99
3.5+5.0+5.0	3.12	4.44	4.44	---	---	12.00	1.20 ~ 12.70	3.74	0.24 ~ 4.19	17.2	1.2 ~ 19.3	99

Combination of indoor unit	Capacity of each indoor unit											
	Each capacity (kW)					Total capacity (kW)		Total input (kW)		Total current (A)		Power factor (%)
	A room	B room	C room	D room	E room	Rating	(min ~ max)	Rating	(min ~ max)	Rating	(min ~ max)	Rating
3.5+5.0+6.0	2.90	4.14	4.96	---	---	12.00	1.20 ~ 12.70	3.53	0.23 ~ 4.02	16.2	1.1 ~ 18.5	99
3.5+5.0+7.1	2.69	3.85	5.46	---	---	12.00	1.20 ~ 12.70	3.37	0.23 ~ 3.90	15.5	1.1 ~ 18.0	99
3.5+6.0+6.0	2.70	4.65	4.65	---	---	12.00	1.20 ~ 12.70	3.57	0.23 ~ 3.88	16.4	1.1 ~ 17.9	99
5.0+5.0+5.0	4.00	4.00	4.00	---	---	12.00	1.20 ~ 12.70	3.59	0.23 ~ 4.15	16.5	1.1 ~ 19.1	99
2.0+2.0+2.0+2.0	2.42	2.42	2.42	2.42	---	9.66	1.60 ~ 10.35	2.58	0.33 ~ 3.20	11.8	1.6 ~ 14.7	99
2.0+2.0+2.0+2.5	2.41	2.41	2.41	3.02	---	10.25	1.60 ~ 11.30	2.37	0.32 ~ 3.18	10.9	1.5 ~ 14.7	99
2.0+2.0+2.0+3.5	2.41	2.41	2.41	4.20	---	11.43	1.60 ~ 12.33	3.41	0.32 ~ 4.08	15.7	1.5 ~ 18.8	99
2.0+2.0+2.0+5.0	2.18	2.18	2.18	5.46	---	12.00	1.60 ~ 12.70	3.48	0.31 ~ 3.97	16.0	1.5 ~ 18.3	99
2.0+2.0+2.0+6.0	2.00	2.00	2.00	6.00	---	12.00	1.60 ~ 12.70	3.27	0.30 ~ 3.72	15.0	1.4 ~ 17.1	99
2.0+2.0+2.0+7.1	1.83	1.83	1.83	6.51	---	12.00	1.60 ~ 12.70	3.18	0.30 ~ 3.62	14.6	1.4 ~ 16.7	99
2.0+2.0+2.5+2.5	2.41	2.41	3.01	3.01	---	10.84	1.60 ~ 11.95	3.30	0.32 ~ 4.01	15.2	1.5 ~ 18.5	99
2.0+2.0+2.5+3.5	2.40	2.40	3.00	4.20	---	12.00	1.60 ~ 12.39	3.66	0.32 ~ 4.10	16.8	1.5 ~ 18.9	99
2.0+2.0+2.5+5.0	2.09	2.09	2.61	5.21	---	12.00	1.60 ~ 12.70	3.46	0.31 ~ 3.89	15.9	1.5 ~ 17.9	99
2.0+2.0+2.5+6.0	1.92	1.92	2.40	5.76	---	12.00	1.60 ~ 12.70	3.25	0.30 ~ 3.76	14.9	1.4 ~ 17.3	99
2.0+2.0+2.5+7.1	1.76	1.76	2.21	6.27	---	12.00	1.60 ~ 12.70	3.16	0.29 ~ 3.61	14.5	1.4 ~ 16.6	99
2.0+2.0+3.5+3.5	2.18	2.18	3.82	3.82	---	12.00	1.60 ~ 12.47	3.58	0.32 ~ 4.07	16.4	1.5 ~ 18.7	99
2.0+2.0+3.5+5.0	1.92	1.92	3.36	4.80	---	12.00	1.60 ~ 12.70	3.66	0.30 ~ 3.92	16.8	1.4 ~ 18.0	99
2.0+2.0+3.5+6.0	1.78	1.78	3.11	5.33	---	12.00	1.60 ~ 12.70	3.44	0.29 ~ 3.69	15.8	1.4 ~ 17.0	99
2.0+2.0+3.5+7.1	1.64	1.64	2.88	5.84	---	12.00	1.60 ~ 12.70	3.40	0.29 ~ 3.64	15.6	1.4 ~ 16.8	99
2.0+2.0+5.0+5.0	1.71	1.71	4.29	4.29	---	12.00	1.60 ~ 12.70	3.31	0.29 ~ 3.60	15.2	1.4 ~ 16.6	99
2.0+2.0+5.0+6.0	1.60	1.60	4.00	4.80	---	12.00	1.60 ~ 12.70	3.16	0.28 ~ 3.48	14.5	1.3 ~ 16.0	99
2.0+2.5+2.5+2.5	2.40	3.01	3.01	3.01	---	11.43	1.60 ~ 12.25	3.44	0.32 ~ 4.06	15.8	1.5 ~ 18.7	99
2.0+2.5+2.5+3.5	2.29	2.86	2.86	3.99	---	12.00	1.60 ~ 12.46	3.58	0.32 ~ 4.08	16.4	1.5 ~ 18.8	99
2.0+2.5+2.5+5.0	2.00	2.50	2.50	5.00	---	12.00	1.60 ~ 12.70	3.34	0.30 ~ 3.86	15.3	1.4 ~ 17.8	99
2.0+2.5+2.5+6.0	1.85	2.31	2.31	5.53	---	12.00	1.60 ~ 12.70	3.18	0.29 ~ 3.63	14.6	1.4 ~ 16.7	99
2.0+2.5+2.5+7.1	1.70	2.13	2.13	6.04	---	12.00	1.60 ~ 12.70	3.10	0.29 ~ 3.54	14.2	1.4 ~ 16.3	99
2.0+2.5+3.5+3.5	2.09	2.61	3.65	3.65	---	12.00	1.60 ~ 12.54	3.50	0.31 ~ 4.05	16.1	1.5 ~ 18.6	99
2.0+2.5+3.5+5.0	1.85	2.31	3.23	4.61	---	12.00	1.60 ~ 12.70	3.32	0.30 ~ 3.78	15.2	1.4 ~ 17.4	99
2.0+2.5+3.5+6.0	1.71	2.14	3.00	5.15	---	12.00	1.60 ~ 12.70	3.12	0.29 ~ 3.56	14.3	1.4 ~ 16.4	99
2.0+2.5+3.5+7.1	1.59	1.99	2.78	5.64	---	12.00	1.60 ~ 12.70	3.04	0.29 ~ 3.47	14.0	1.4 ~ 16.0	99
2.0+2.5+5.0+5.0	1.66	2.06	4.14	4.14	---	12.00	1.60 ~ 12.70	3.24	0.29 ~ 3.60	14.9	1.4 ~ 16.6	99
2.0+2.5+5.0+6.0	1.55	1.94	3.87	4.64	---	12.00	1.60 ~ 12.70	3.05	0.28 ~ 3.35	14.0	1.3 ~ 15.4	99
2.0+3.5+3.5+3.5	1.92	3.36	3.36	3.36	---	12.00	1.60 ~ 12.63	3.48	0.31 ~ 4.02	16.0	1.5 ~ 18.5	99
2.0+3.5+3.5+5.0	1.71	3.00	3.00	4.29	---	12.00	1.60 ~ 12.70	3.30	0.30 ~ 3.76	15.2	1.4 ~ 17.3	99
2.0+3.5+3.5+6.0	1.60	2.80	2.80	4.80	---	12.00	1.60 ~ 12.70	3.15	0.29 ~ 3.60	14.5	1.4 ~ 16.6	99
2.0+3.5+5.0+5.0	1.55	2.71	3.87	3.87	---	12.00	1.60 ~ 12.70	3.17	0.28 ~ 3.55	14.6	1.3 ~ 16.3	99
2.5+2.5+2.5+2.5	3.00	3.00	3.00	3.00	---	12.00	1.60 ~ 12.44	3.59	0.32 ~ 4.08	16.5	1.5 ~ 18.8	99
2.5+2.5+2.5+3.5	2.73	2.73	2.73	3.81	---	12.00	1.60 ~ 12.53	3.56	0.31 ~ 4.05	16.3	1.5 ~ 18.6	99
2.5+2.5+2.5+5.0	2.40	2.40	2.40	4.80	---	12.00	1.60 ~ 12.70	3.37	0.30 ~ 3.84	15.5	1.4 ~ 17.7	99
2.5+2.5+2.5+6.0	2.22	2.22	2.22	5.34	---	12.00	1.60 ~ 12.70	3.22	0.29 ~ 3.56	14.8	1.4 ~ 16.4	99
2.5+2.5+2.5+7.1	2.05	2.05	2.05	5.85	---	12.00	1.60 ~ 12.70	3.14	0.29 ~ 3.52	14.4	1.4 ~ 16.2	99
2.5+2.5+3.5+3.5	2.50	2.50	3.50	3.50	---	12.00	1.60 ~ 12.61	3.49	0.31 ~ 4.03	16.0	1.5 ~ 18.6	99
2.5+2.5+3.5+5.0	2.22	2.22	3.11	4.45	---	12.00	1.60 ~ 12.70	3.30	0.30 ~ 3.76	15.2	1.4 ~ 17.3	99
2.5+2.5+3.5+6.0	2.07	2.07	2.90	4.96	---	12.00	1.60 ~ 12.70	3.10	0.29 ~ 3.55	14.2	1.4 ~ 16.3	99
2.5+2.5+3.5+7.1	1.92	1.92	2.69	5.47	---	12.00	1.60 ~ 12.70	3.02	0.28 ~ 3.46	13.9	1.3 ~ 15.9	99
2.5+2.5+5.0+5.0	2.00	2.00	4.00	4.00	---	12.00	1.60 ~ 12.70	3.17	0.28 ~ 3.55	14.6	1.3 ~ 16.3	99
2.5+3.5+3.5+3.5	2.31	3.23	3.23	3.23	---	12.00	1.60 ~ 12.70	3.41	0.31 ~ 4.00	15.7	1.5 ~ 18.4	99
2.5+3.5+3.5+5.0	2.07	2.90	2.90	4.13	---	12.00	1.60 ~ 12.70	3.23	0.29 ~ 3.68	14.8	1.4 ~ 16.9	99
2.5+3.5+3.5+6.0	1.94	2.71	2.71	4.64	---	12.00	1.60 ~ 12.70	3.09	0.28 ~ 3.53	14.2	1.3 ~ 16.3	99
3.5+3.5+3.5+3.5	3.00	3.00	3.00	3.00	---	12.00	1.60 ~ 12.70	3.39	0.31 ~ 3.86	15.6	1.5 ~ 17.8	99
3.5+3.5+3.5+5.0	2.71	2.71	2.71	3.87	---	12.00	1.60 ~ 12.70	3.32	0.29 ~ 3.66	15.2	1.4 ~ 16.9	99
2.0+2.0+2.0+2.0+2.0	2.40	2.40	2.40	2.40	2.40	12.00	2.00 ~ 12.70	3.37	0.37 ~ 3.69	15.5	1.7 ~ 17.0	99
2.0+2.0+2.0+2.0+2.5	2.29	2.29	2.29	2.29	2.84	12.00	2.00 ~ 12.70	3.25	0.37 ~ 3.62	14.9	1.7 ~ 16.7	99
2.0+2.0+2.0+2.0+3.5	2.09	2.09	2.09	2.09	3.64	12.00	2.00 ~ 12.70	3.17	0.36 ~ 3.54	14.6	1.7 ~ 16.3	99
2.0+2.0+2.0+2.0+5.0	1.85	1.85	1.85	1.85	4.60	12.00	2.00 ~ 12.70	3.22	0.34 ~ 3.58	14.8	1.6 ~ 16.5	99
2.0+2.0+2.0+2.0+6.0	1.71	1.71	1.71	1.71	5.16	12.00	2.00 ~ 12.70	3.00	0.33 ~ 3.26	13.8	1.6 ~ 15.0	99
2.0+2.0+2.0+2.0+7.1	1.59	1.59	1.59	1.59	5.64	12.00	2.00 ~ 12.70	2.89	0.32 ~ 3.09	13.3	1.5 ~ 14.2	99
2.0+2.0+2.0+2.5+2.5	2.18	2.18	2.18	2.73	2.73	12.00	2.00 ~ 12.70	3.33	0.36 ~ 3.60	15.3	1.7 ~ 16.6	99
2.0+2.0+2.0+2.5+3.5	2.00	2.00	2.00	2.50	3.50	12.00	2.00 ~ 12.70	3.26	0.36 ~ 3.53	15.0	1.7 ~ 16.3	99
2.0+2.0+2.0+2.5+5.0	1.78	1.78	1.78	2.22	4.44	12.00	2.00 ~ 12.70	3.00	0.34 ~ 3.46	13.8	1.6 ~ 15.9	99
2.0+2.0+2.0+2.5+6.0	1.66	1.66	1.66	2.07	4.95	12.00	2.00 ~ 12.70	3.13	0.32 ~ 3.67	14.4	1.5 ~ 16.9	99
2.0+2.0+2.0+2.5+7.1	1.54	1.54	1.54	1.92	5.46	12.00	2.00 ~ 12.70	2.79	0.34 ~ 3.03	12.8	1.6 ~ 14.0	99
2.0+2.0+2.0+3.5+3.5	1.85	1.85	1.85	3.23	3.23	12.00	2.00 ~ 12.70	3.20	0.35 ~ 3.46	14.7	1.7 ~ 15.9	99
2.0+2.0+2.0+3.5+5.0	1.66	1.66	1.66	2.90	4.12	12.00	2.00 ~ 12.70	2.94	0.33 ~ 3.14	13.5	1.6 ~ 14.5	99
2.0+2.0+2.0+3.5+6.0	1.55	1.55	1.55	2.71	4.64	12.00	2.00 ~ 12.70	2.75	0.32 ~ 3.04	12.6	1.5 ~ 14.0	99
2.0+2.0+2.5+2.5+2.5	2.09	2.09	2.61	2.61	2.61	12.00	2.00 ~ 12.70	3.27	0.36 ~ 3.53	15.0	1.7 ~ 16.3	99
2.0+2.0+2.5+2.5+3.5	1.92	1.92	2.40	2.40	3.36	12.00	2.00 ~ 12.70	3.20	0.35 ~ 3.47	14.7	1.7 ~ 16.0	99
2.0+2.0+2.5+2.5+5.0	1.71	1.71	2.14	2.14	4.30	12.00	2.00 ~ 12.70	2.94	0.34 ~ 3.19	13.5	1.6 ~ 14.7	99
2.0+2.0+2.5+2.5+6.0	1.60	1.60	2.00	2.00	4.80	12.00	2.00 ~ 12.70	2.76	0.32 ~ 3.04	12.7	1.5 ~ 14.0	99

Combination of indoor unit	Capacity of each indoor unit											
	Each capacity (kW)					Total capacity (kW)		Total input (kW)		Total current (A)		Power factor (%)
	A room	B room	C room	D room	E room	Rating	(min ~ max)	Rating	(min ~ max)	Rating	(min ~ max)	Rating
2.0+2.0+2.5+3.5+3.5	1.78	1.78	2.22	3.11	3.11	12.00	2.00 ~ 12.70	3.14	0.35 ~ 3.40	14.4	1.7 ~ 15.7	99
2.0+2.0+2.5+3.5+5.0	1.60	1.60	2.00	2.80	4.00	12.00	2.00 ~ 12.70	2.88	0.33 ~ 3.13	13.2	1.6 ~ 14.4	99
2.0+2.0+3.5+3.5+3.5	1.65	1.65	2.90	2.90	2.90	12.00	2.00 ~ 12.70	3.13	0.35 ~ 3.34	14.4	1.7 ~ 15.4	99
2.0+2.5+2.5+2.5+2.5	2.00	2.50	2.50	2.50	2.50	12.00	2.00 ~ 12.70	3.20	0.36 ~ 3.47	14.7	1.7 ~ 16.0	99
2.0+2.5+2.5+2.5+3.5	1.85	2.31	2.31	2.31	3.22	12.00	2.00 ~ 12.70	3.14	0.35 ~ 3.40	14.4	1.7 ~ 15.7	99
2.0+2.5+2.5+2.5+5.0	1.66	2.07	2.07	2.07	4.13	12.00	2.00 ~ 12.70	2.88	0.33 ~ 3.13	13.2	1.6 ~ 14.4	99
2.0+2.5+2.5+2.5+6.0	1.55	1.94	1.94	1.94	4.63	12.00	2.00 ~ 12.70	2.70	0.32 ~ 2.99	12.4	1.5 ~ 13.8	99
2.0+2.5+2.5+3.5+3.5	1.72	2.14	2.14	3.00	3.00	12.00	2.00 ~ 12.70	3.13	0.35 ~ 3.39	14.4	1.7 ~ 15.6	99
2.0+2.5+2.5+3.5+5.0	1.55	1.94	1.94	2.71	3.86	12.00	2.00 ~ 12.70	2.83	0.33 ~ 3.07	13.0	1.6 ~ 14.1	99
2.0+2.5+3.5+3.5+3.5	1.60	2.00	2.80	2.80	2.80	12.00	2.00 ~ 12.70	3.07	0.34 ~ 3.33	14.1	1.6 ~ 15.3	99
2.5+2.5+2.5+2.5+2.5	2.40	2.40	2.40	2.40	2.40	12.00	2.00 ~ 12.70	3.19	0.35 ~ 3.41	14.6	1.7 ~ 15.7	99
2.5+2.5+2.5+2.5+3.5	2.22	2.22	2.22	2.22	3.12	12.00	2.00 ~ 12.70	3.13	0.35 ~ 3.39	14.4	1.7 ~ 15.6	99
2.5+2.5+2.5+2.5+5.0	2.00	2.00	2.00	2.00	4.00	12.00	2.00 ~ 12.70	2.83	0.33 ~ 3.07	13.0	1.6 ~ 14.1	99
2.5+2.5+2.5+3.5+3.5	2.07	2.07	2.07	2.90	2.90	12.00	2.00 ~ 12.70	3.07	0.34 ~ 3.33	14.1	1.6 ~ 15.3	99
2.5+2.5+3.5+3.5+3.5	1.94	1.94	2.71	2.71	2.71	12.00	2.00 ~ 12.70	3.01	0.34 ~ 3.27	13.8	1.6 ~ 15.1	99

- Notes:**
- Cooling capacity is based on 27°CDB / 19°CWB (Indoor temperature), 35°CDB (Outdoor temperature). Heating capacity is based on 20°CDB (Indoor temperature), 7°CDB / 6°CWB (Outdoor temperature).
 - The total capacity of connected indoor units is up to 15.6 kW.
 - It is impossible to connect only one indoor unit.
 - Capacities are based on the following conditions.
Corresponding refrigerant piping length: 5 m
Level difference: 0 m
 - indicates the rated combination of indoor unit.

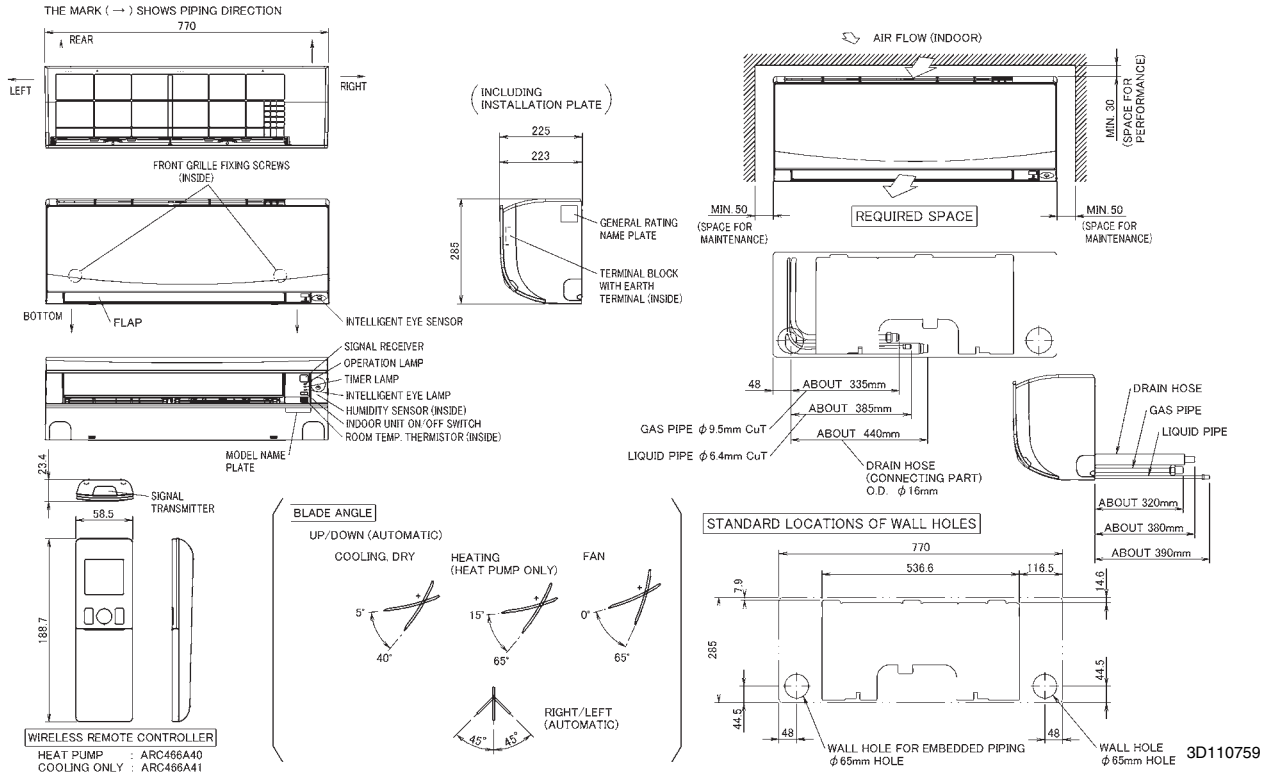
3D138519
3D138520
3D138521

4. Dimensions

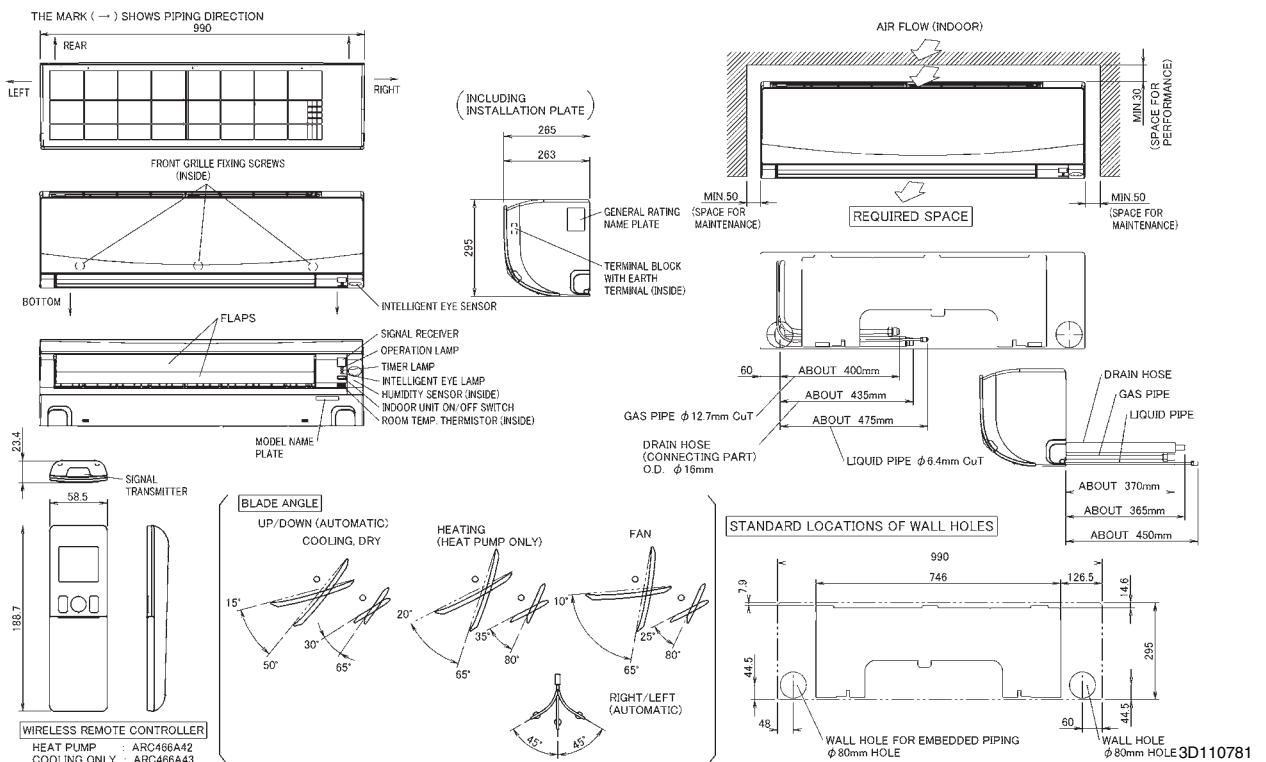
4.1 Indoor Unit

4.1.1 Wall Mounted Type

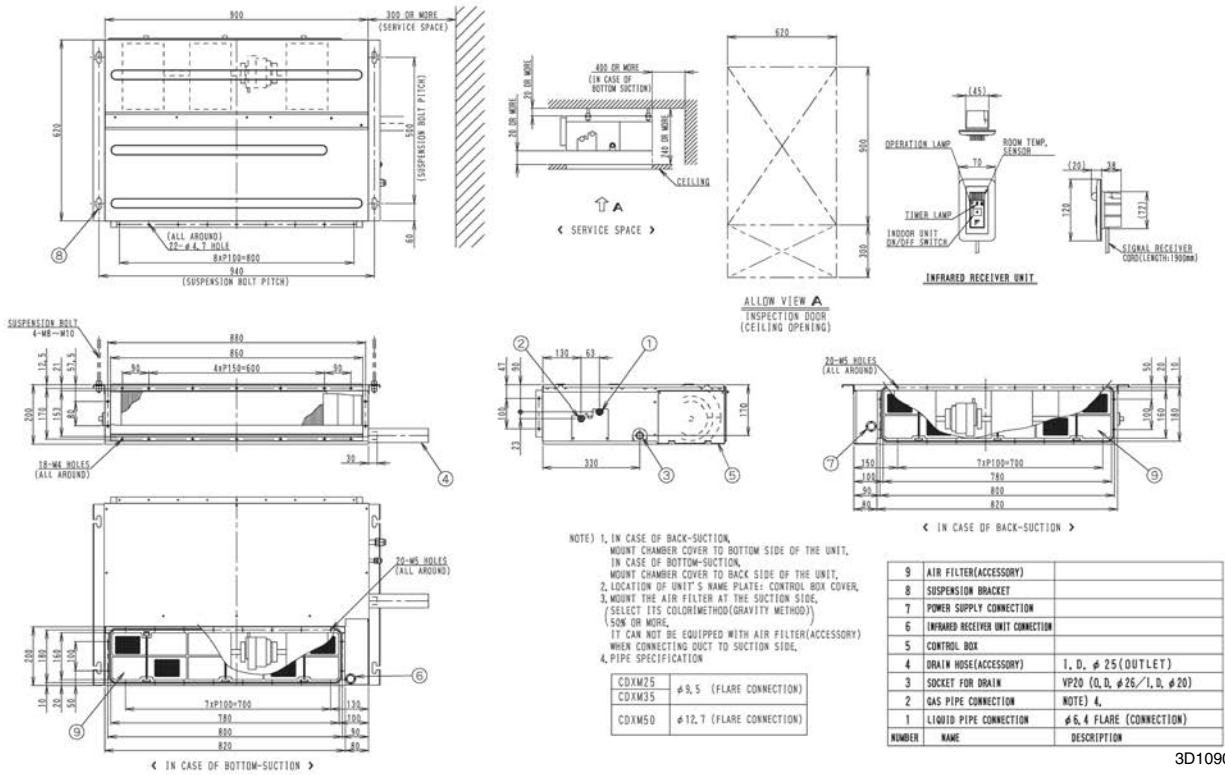
CTXM20/25/35RVM2



CTXM50/60RVM2

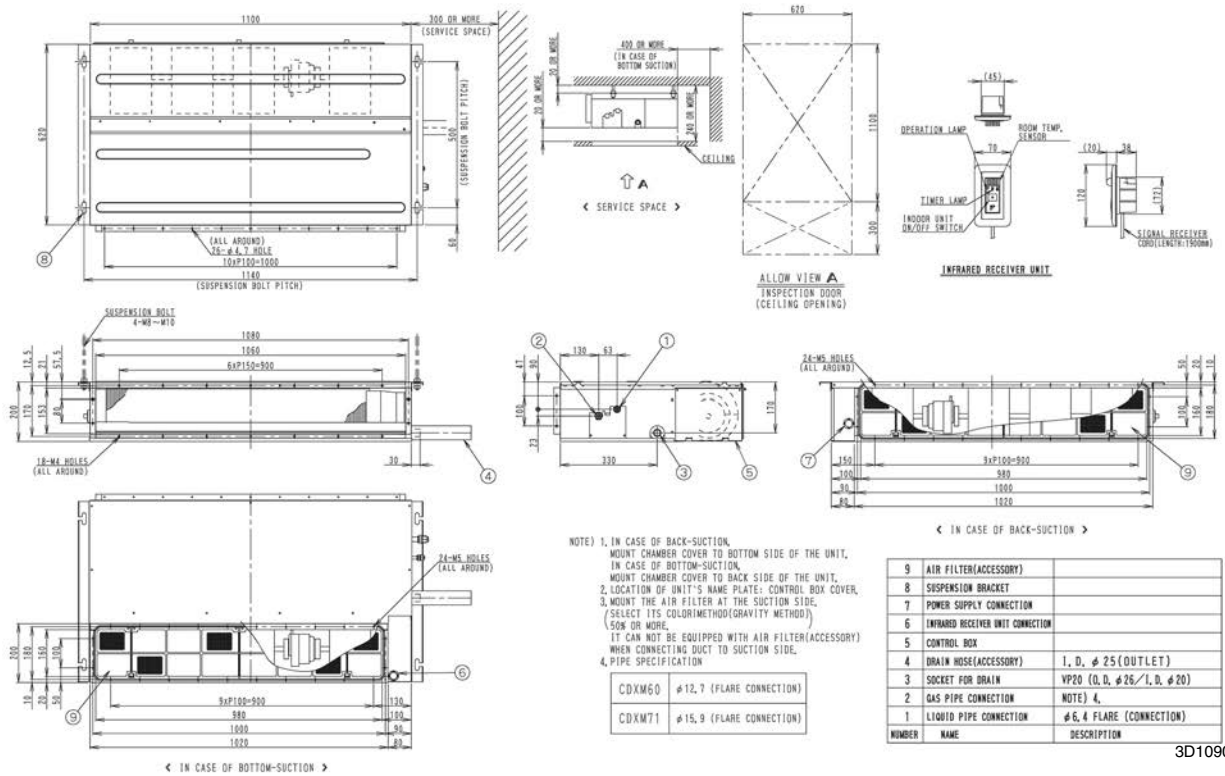


CDXM50RVM2



3D109030A

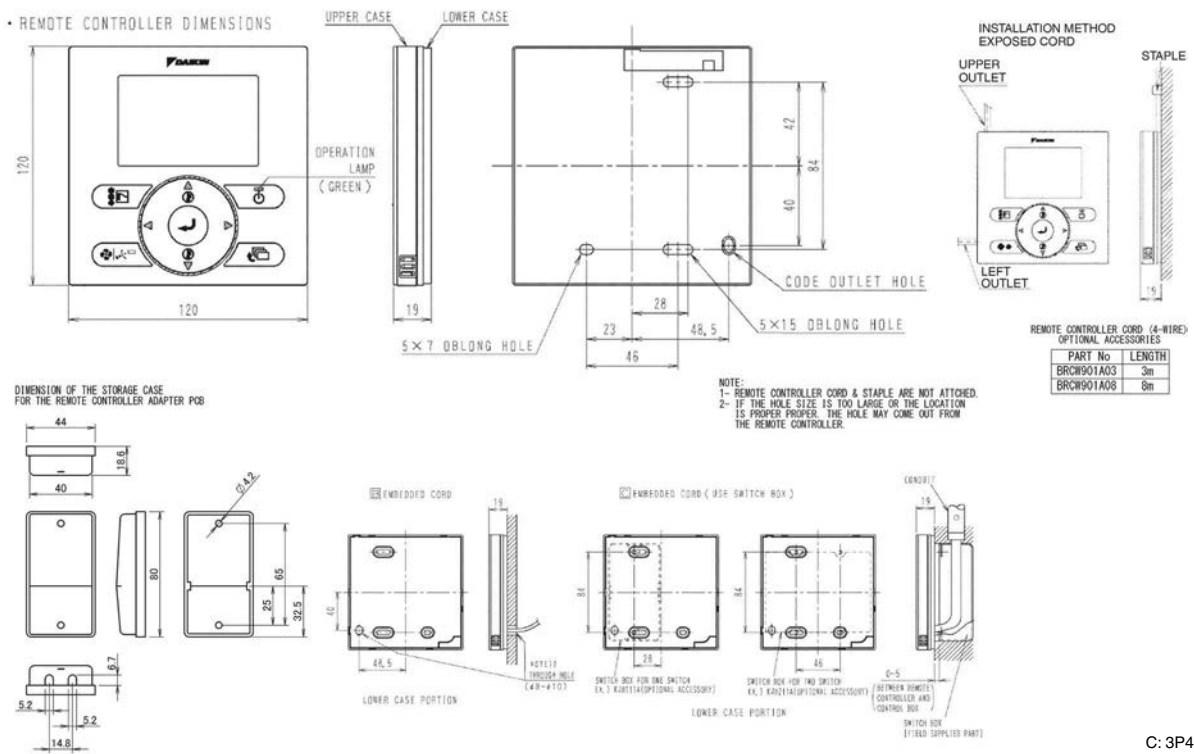
CDXM60/71RVM2



3D109031A

4.1.3 Wired Remote Controller

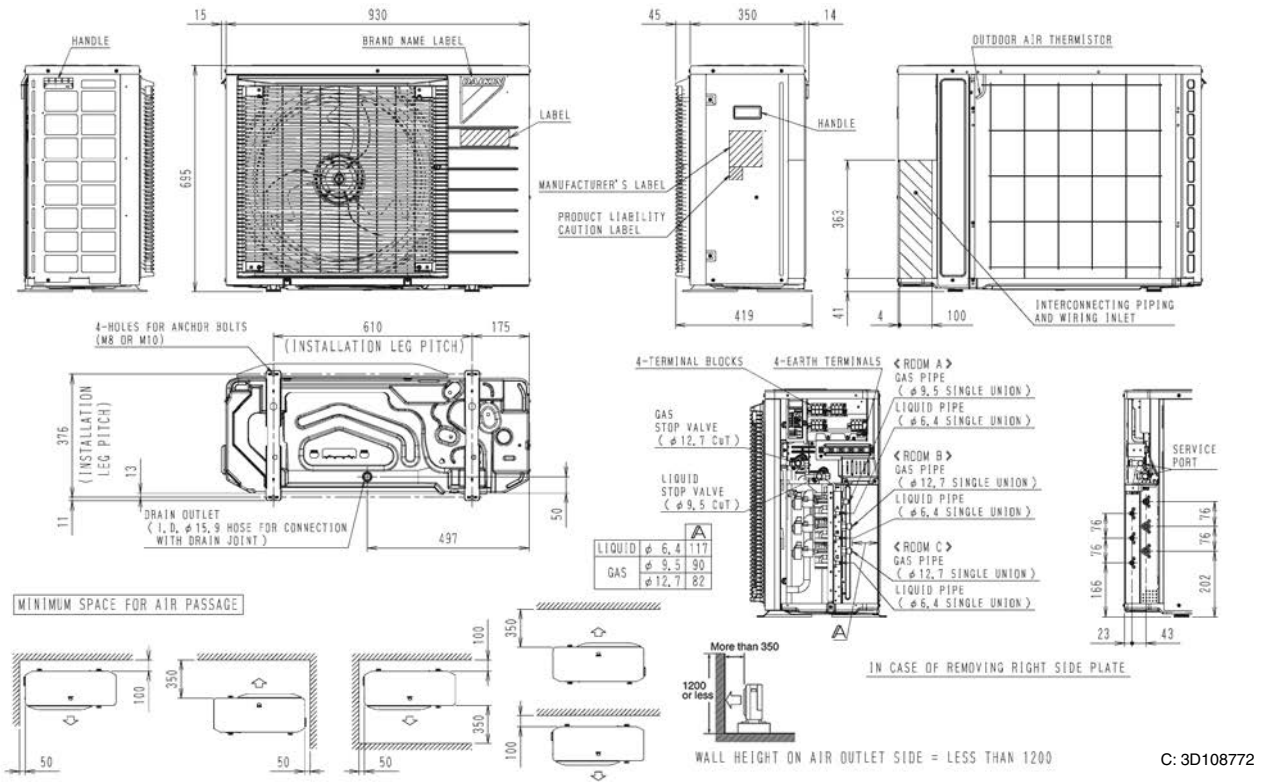
BRC073A5 — Wired Remote Controller (Option) for CTXM, CDXP, CDXM Series —



C: 3P421433

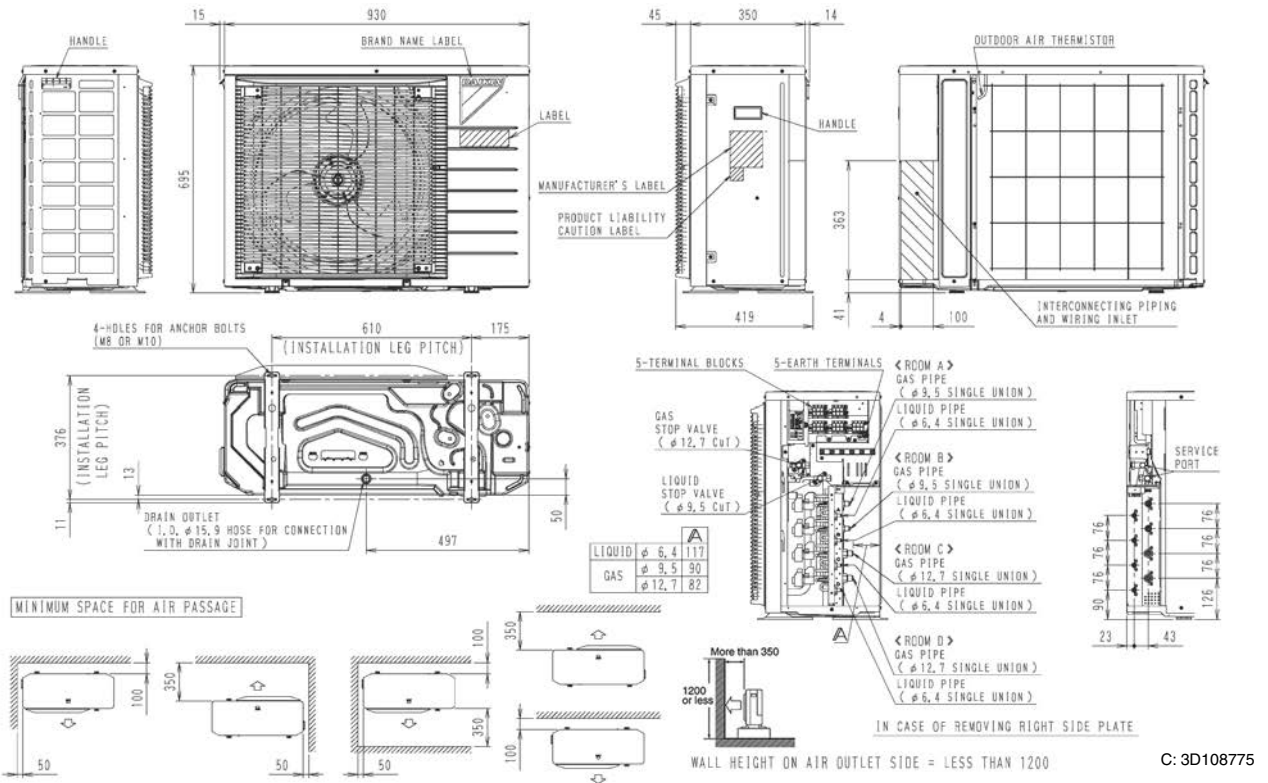
4.2 Outdoor Unit

3MXM70RVM2



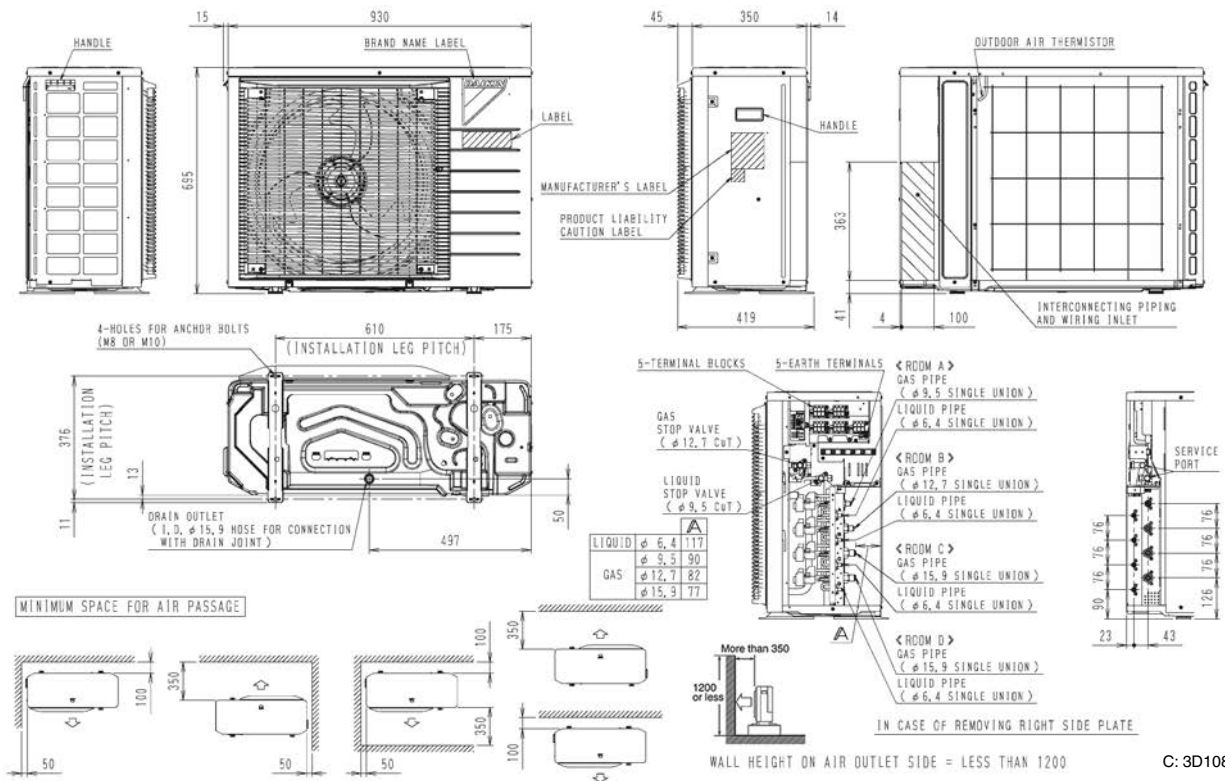
C: 3D108772

4MXM80RVM2



C: 3D108775

4MXM100RVM2



5MXM110RVM2

