

Nominal ton	(Ton)				
	8.5	8.5	10	10	10
Model	MRBT-085CW-R 380-415V,3Ph,50Hz	MRCT-085EW-R MRDT-085EW-R 380-415V,3Ph,50Hz	MRBT-100CW-R 380-415V,3Ph,50Hz	MRCT-100EW-R MRDT-100EW-R 380-415V,3Ph,50Hz	MRBT-100HW-R 380-415V,3Ph,50Hz
Power supply	V, Ph, Hz	107000	120000	120000	120000
	Cooling Capacity (1)	Btu/h	31.4	35	35
Cooling	Power Input (1)	kW	10.2	12.4	12.4
	Cooling Capacity (2)	Btu/h	94600	107000	107000
Electric Heating (Optional)	Power Input (2)	kW	12.6	14.5	14.5
	Heating Capacity	Btu/h	71700	71700	126000
Max. input consumption	Power Input	kW	21	21	36.7
	Max. current	kW	15.1	16.8	23.2
Performance	Indoor fan air flow	CFM	3600	4000	4000
	ESP	Pa	75	75	75
Indoor Coil	EER 1	Btu/hW	10.5	9.6	9.6
	EER 2	Btu/hW	7.5	7.4	7.4
Indoor Fan	COP	/	/	/	11.4
	Number of rows	3	3	3	3
Compressor	Fin spacing	mm	1.4	1.4	1.4
	Tube diameter	inch	1/16"	1/16"	1/16"
Outdoor Coil	Type	Centrifugal Blower	Centrifugal Blower	Centrifugal Blower	Centrifugal Blower
	Quantity	1	1	1	1
Outdoor Fan	Drive type	Belt	Belt	Belt	Belt
	Motor quantity	1	1	1	1
Compressor	Motor model	YFD90L-4-1.5KW	YFD90L-4-1.5KW	YFD90L-4-1.5KW	YFD90L-4-1.5KW
	Type	Scroll	Scroll	Scroll	Scroll
Compressor	Model	ZR72KC-TFD-522	ZR72KC-TFD-522	ZR72KC-TFD-522	ZR72KC-TFD-522
	Brand	Copeland	Copeland	Copeland	Copeland
Outdoor Fan	Capacity	Btu/h	51000	59300	59300
	Refrigerant oil charge	ml	1360	1700	1700
Outdoor Coil	Number of rows	3	3	3	3
	Fin spacing	mm	1.6	1.6	1.6
Outdoor Fan	Tube diameter	inch	1/16"	1/16"	1/16"
	Type	Propeller	Propeller	Propeller	Propeller
Outdoor Fan	Quantity	1	1	1	1
	Drive type	Direct	Direct	Direct	Direct
Refrigerant	Motor quantity	1	1	1	1
	Motor model	YS600-6P	YS600-6P	YS600-6P	YS600-6P
Refrigerant	Type	R22	R22	R22	R22
	Refrigerant volume	Kg	3.0+2	3.0+2	3.0+2
Filter	Refrigerant Control	Capillary	Capillary	Capillary	Capillary
	Size (W*H*D)	mm	568*404*12.5	568*404*12.5	568*404*12.5
Shipping	Qty Per 20'/40'/40'HQ	Pieces	8/16/16	8/16/16	8/16/16

Note:
The data are based on the following conditions:
Cooling and Power input: (1) Indoor Temperature 26.7°C(80°F) DB / 19.4°C(67°F) WB; - Outdoor Temperature 35°C(95°F) DB.
(2) Indoor Temperature 26.7°C(80°F) DB / 19.4°C(67°F) WB; - Outdoor Temperature 46.1°C(115°F) DB.
Heating and Power input: Indoor Temperature 20°C(68°F) DB / 15°C(59°F) WB; - Outdoor Temperature 7°C(44.8°F) DB / 6°C(42.8°F) WB.

Nominal ton	(Ton)				
	12.5	12.5	12.5	15	15
Model	MRBT-125CW-R 380-415V,3Ph,50Hz	MRCT-125EW-R MRDT-125EW-R 380-415V,3Ph,50Hz	MRBT-150CW-R 380-415V,3Ph,50Hz	MRCT-150EW-R MRDT-150EW-R 380-415V,3Ph,50Hz	MRBT-150HW-R 380-415V,3Ph,50Hz
Power supply	V, Ph, Hz	150000	150000	180000	180000
	Cooling Capacity (1)	kW	44	44	53
Cooling	Power Input (1)	kW	15.1	15.1	18.8
	Cooling Capacity (2)	Btu/h	129000	129000	158700
Electric Heating (Optional)	Power Input (2)	kW	17.6	17.6	20.7
	Heating Capacity	Btu/h	102000	102000	120200
Max. input consumption	Power Input	kW	30	30	30
	Max. current	kW	21.5	21.5	24.8
Performance	Indoor fan air flow	CFM	5000	5000	6150
	ESP	Pa	75	75	90
Indoor Coil	EER 1	Btu/hW	9.9	9.9	9.7
	EER 2	Btu/hW	7.3	7.3	7.6
Indoor Fan	COP	/	/	/	/
	Number of rows	3	3	3	3
Compressor	Fin spacing	mm	1.4	1.4	1.4
	Tube diameter	inch	1/16"	1/16"	1/16"
Outdoor Coil	Type	Centrifugal Blower	Centrifugal Blower	Centrifugal Blower	Centrifugal Blower
	Quantity	1	1	1	1
Outdoor Fan	Drive type	Belt	Belt	Belt	Belt
	Motor quantity	1	1	1	1
Compressor	Motor model	YFD132S-4-5.5KW	YFD132S-4-5.5KW	YFD132S-4-5.5KW	YFD132S-4-5.5KW
	Type	Scroll	Scroll	Scroll	Scroll
Compressor	Model	VR125KS-TFP-522 +VR161KF-TFP-542	VR125KS-TFP-522 +VR161KF-TFP-542	VR144KS-TFP-522 +ZR72KC-TFD-522	VR144KS-TFP-522 +ZR72KC-TFD-522
	Brand	Copeland	Copeland	Copeland	Copeland
Outdoor Fan	Capacity	Btu/h	120000+51000	120000+51000	120138+59300
	Refrigerant oil charge	ml	3253+1360	3253+1360	3253+1774
Outdoor Coil	Number of rows	3	3	3	3
	Fin spacing	mm	1.6	1.6	1.6
Outdoor Fan	Tube diameter	inch	1/16"	1/16"	1/16"
	Type	Propeller	Propeller	Propeller	Propeller
Outdoor Fan	Quantity	2	2	2	2
	Drive type	Direct	Direct	Direct	Direct
Refrigerant	Motor quantity	2	2	2	2
	Motor model	YS600-6P	YS600-6P	YS600-6P	YS600-6P
Refrigerant	Type	R22	R22	R22	R22
	Refrigerant volume	Kg	8+3.7	8+3.7	8+3.8
Filter	Refrigerant Control	Capillary	Capillary	Capillary	Capillary
	Size (W*H*D)	mm	1015*815*12.5	1015*815*12.5	1015*815*12.5
Shipping	Qty Per 20'/40'/40'HQ	Pieces	3/6/12	3/6/12	3/6/12

Note:
The data are based on the following conditions:
Cooling and Power input: (1) Indoor Temperature 26.7°C(80°F) DB / 19.4°C(67°F) WB; - Outdoor Temperature 35°C(95°F) DB.
(2) Indoor Temperature 26.7°C(80°F) DB / 19.4°C(67°F) WB; - Outdoor Temperature 46.1°C(115°F) DB.
Heating and Power input: Indoor Temperature 20°C(68°F) DB / 15°C(59°F) WB; - Outdoor Temperature 7°C(44.8°F) DB / 6°C(42.8°F) WB.

Nominal ton		17.5 (Ton)		17.5 (Ton)		20 (Ton)		20 (Ton)		25 (Ton)		25 (Ton)	
Model	Model	MRBT-175CW-R	MRCT-175EWR	MRBT-200CW-R	MRCT-200EWR	MRBT-200EWR	MRDT-200EWR	MRBT-250CW-R	MRCT-250EWR	MRBT-250CW-R	MRCT-250EWR	MRBT-250CW-R	MRCT-250EWR
Power Supply		380-415V,3Ph,50Hz	380-415V,3Ph,50Hz	380-415V,3Ph,50Hz	380-415V,3Ph,50Hz	380-415V,3Ph,50Hz	380-415V,3Ph,50Hz	380-415V,3Ph,50Hz	380-415V,3Ph,50Hz	380-415V,3Ph,50Hz	380-415V,3Ph,50Hz	380-415V,3Ph,50Hz	380-415V,3Ph,50Hz
		210000	210000	240000	240000	240000	240000	300000	300000	300000	300000	300000	300000
		60	60	70	70	70	70	87	87	87	87	87	87
Cooling Capacity (1)													
Power Input(1)		21	21	25.1	25.1	25.1	25.1	31.5	31.5	31.5	31.5	31.5	31.5
Cooling Capacity (2)		185600	185600	210000	210000	210000	210000	263000	263000	263000	263000	263000	263000
Power Input(2)		54.4	54.4	61.4	61.4	61.4	61.4	77	77	77	77	77	77
Heating Capacity		23.5	23.5	27.6	27.6	27.6	27.6	37	37	37	37	37	37
Electric Heating (Optional)		-	-	133000	256000	133000	256000	-	-	133000	133000	133000	314000
Power Input		39	39	39	39	39	39	39	39	39	39	39	39
Max. input consumption		39.5	39.5	33.4	33.4	41	33.4	45.9	45.9	45.9	45.9	45.9	45.9
Indoor fan air flow		7310	7310	8000	8000	8000	8000	10200	10200	10200	10200	10200	10200
Performance		ESP	ESP	ESP	ESP	ESP	ESP	ESP	ESP	ESP	ESP	ESP	ESP
		EER 1	9.7	9.5	9.5	9.5	9.5	9.4	9.4	9.4	9.4	9.4	9.4
		EER 2	7.8	7.8	7.6	7.6	7.6	7.1	7.1	7.1	7.1	7.1	7.1
		COP	/	/	/	/	/	/	/	/	/	/	/
Number of rows		3	3	3	3	3	3	4	4	4	4	4	4
Indoor Coil		Fin spacing	1.7	1.6	1.6	1.6	1.6	1.6	1.6	1.6	1.6	1.6	1.6
		Tube diameter	1/16"	1/16"	1/16"	1/16"	1/16"	1/16"	1/16"	1/16"	1/16"	1/16"	1/16"
		Quantity	9.53	9.53	7.94	7.94	7.94	7.94	7.94	7.94	7.94	7.94	7.94
		Type	Centrifugal Blower	Centrifugal Blower	Centrifugal Blower	Centrifugal Blower	Centrifugal Blower	Centrifugal Blower	Centrifugal Blower	Centrifugal Blower	Centrifugal Blower	Centrifugal Blower	Centrifugal Blower
Indoor Fan		Quantity	1	1	1	1	1	1	1	1	1	1	1
		Drive type	Belt	Belt	Belt	Belt	Belt	Belt	Belt	Belt	Belt	Belt	Belt
		Motor quantity	1	1	1	1	1	1	1	1	1	1	1
		Motor model	YFD132S-4.5.5KW	YFD132S-4.5.5KW	YFD132S-4.5.5KW	YFD132S-4.5.5KW	YFD132S-4.5.5KW	YFD132M-4.7.5KW	YFD132M-4.7.5KW	YFD132M-4.7.5KW	YFD132M-4.7.5KW	YFD132M-4.7.5KW	YFD132M-4.7.5KW
		Type	Scroll	Scroll	Scroll	Scroll	Scroll	Scroll	Scroll	Scroll	Scroll	Scroll	Scroll
Compressor		Quantity	2	2	2	2	2	2	2	2	2	2	2
		Model	VR125KS-TFP-522	VR125KS-TFP-522	VR144KS-TFP-522	VR144KS-TFP-522	VR144KS-TFP-522	ZR190KC-TFP-522	ZR190KC-TFP-522	ZR190KC-TFP-522	ZR190KC-TFP-522	ZR190KC-TFP-522	ZR190KC-TFP-522
		Brand	Copeland	Copeland	Copeland	Copeland	Copeland	Copeland	Copeland	Copeland	Copeland	Copeland	Copeland
		Capacity	120000	120000	120000	120000	120000	155000	155000	155000	155000	155000	155000
		Refrigerant oil charge	3253	3253	3200	3200	3200	3000	3000	3000	3000	3000	3000
		Number of rows	3	3	3	3	3	3.5	3.5	3.5	3.5	3.5	3.5
Outdoor Coil		Fin spacing	1/16"	1/16"	1/16"	1/16"	1/16"	1/16"	1/16"	1/16"	1/16"	1/16"	1/16"
		Tube diameter	3/8"	3/8"	5/16"	5/16"	5/16"	5/16"	5/16"	5/16"	5/16"	5/16"	5/16"
		Type	Propeller	Propeller	Propeller	Propeller	Propeller	Propeller	Propeller	Propeller	Propeller	Propeller	Propeller
Outdoor Fan		Quantity	2	2	2	2	2	2	2	2	2	2	2
		Drive type	Direct	Direct	Direct	Direct	Direct	Direct	Direct	Direct	Direct	Direct	Direct
		Motor quantity	2	2	2	2	2	2	2	2	2	2	2
		Motor model	YS1100-6	YS1100-6	YS1100-6	YS1100-6	YS1100-6	YS1500-6	YS1500-6	YS1500-6	YS1500-6	YS1500-6	YS1500-6
Refrigerant		Type	R22	R22	R22	R22	R22	R22	R22	R22	R22	R22	R22
		Refrigerant volume	8.0 *2	8.0 *2	8.0 *2	8.0 *2	8.0 *2	9.4 *2	9.4 *2	9.4 *2	9.4 *2	9.4 *2	9.4 *2
		Refrigerant Control	Capillary	Capillary	Capillary	Capillary	Capillary	Capillary	Capillary	Capillary	Capillary	Capillary	Capillary
Filter		Quantity	2	2	2	2	2	3	3	3	3	3	3
		Size (W*H*D)	978*956*12.5	978*956*12.5	978*956*12.5	978*956*12.5	978*956*12.5	964*640*12.5	964*640*12.5	964*640*12.5	964*640*12.5	964*640*12.5	964*640*12.5
Shipping		Qty Per 20'/40'/40'HQ	24/8	24/8	24/8	24/8	24/8	24/8	24/8	24/8	24/8	24/8	24/8

Note:

The data are based on the following conditions:

Cooling and Power input: (1) Indoor Temperature 26.7°C(80°F) DB / 19.4°C(67°F) WB; - Outdoor Temperature 35°C(95°F) DB.

(2) Indoor Temperature 26.7°C(80°F) DB / 19.4°C(67°F) WB; - Outdoor Temperature 46.1°C(115°F) DB.

Heating and Power input: Indoor Temperature 20°C(68°F) DB/15°C(59°F) WB; - Outdoor Temperature 7°C(44.6°F) DB/6°C(42.8°F) WB.

Note:

The data are based on the following conditions:

Cooling and Power input: (1) Indoor Temperature 26.7°C(80°F) DB / 19.4°C(67°F) WB; - Outdoor Temperature 35°C(95°F) DB.

(2) Indoor Temperature 26.7°C(80°F) DB / 19.4°C(67°F) WB; - Outdoor Temperature 46.1°C(115°F) DB.

Heating and Power input: Indoor Temperature 20°C(68°F) DB/15°C(59°F) WB; - Outdoor Temperature 7°C(44.6°F) DB/6°C(42.8°F) WB.

T3 Condition-R410A

Nominal Ion Model	(Ton)	5		6.2		6.2		6.2	
		MRBT-60CVN1-R 380~400V,3Ph,50Hz	MRBT-60CVN1-R 380~400V,3Ph,50Hz	MRBT-60CVN1-R 380~400V,3Ph,50Hz	MRBT-60CVN1-R 380~400V,3Ph,50Hz	MRBT-60CVN1-R 380~400V,3Ph,50Hz	MRBT-60CVN1-R 380~400V,3Ph,50Hz	MRBT-60CVN1-R 380~400V,3Ph,50Hz	
Power Supply	V/Ph/Hz	56000	75000	75000	75000	75000	75000		
	Bluh	17	22	22	22	22	22		
Cooling	Power Input 1	5.6	7.7	7.7	7.7	7.7	7.7		
	Power Input 2	15	19	19	19	19	19		
Heating	Power Input 1	6.7	8.6	8.6	8.6	8.6	8.6		
	Power Input 2	-	-	-	-	-	-		
Max. input consumption	Heating Capacity	-	-	-	-	-	-		
	Power Input	-	-	-	-	-	-		
Max. power input	Indoor fan air flow	18	20.1	20.1	20.1	20.1	20.1		
	CFM	1800	2600	2600	2600	2600	2600		
Performance	ESP	50	60	60	60	60	60		
	EER 1	10.4	9.7	9.7	9.7	9.7	9.7		
Indoor Coil	EER 2	7.6	7.5	7.5	7.5	7.5	7.5		
	COP	/	/	/	/	/	/		
Indoor Fan	Number of rows	4	2	2	2	2	2		
	Fin spacing	1.6	1.6	1.6	1.6	1.6	1.6		
Compressor	Tube diameter	1/16"	1/16"	1/16"	1/16"	1/16"	1/16"		
	Tube diameter	mm	7.94	7.94	7.94	7.94	7.94		
Outdoor Coil	Type	Centrifugal	Centrifugal	Centrifugal	Centrifugal	Centrifugal	Centrifugal		
	Quantity	1	1	1	1	1	1		
Outdoor Fan	Drive type	Direct	Belt	Belt	Belt	Belt	Belt		
	Motor quantity	1	1	1	1	1	1		
Compressor	Motor model	YDK650-4E	YFD90L-4-1.5KW	YFD90L-4-1.5KW	YFD90L-4-1.5KW	YFD90L-4-1.5KW	YFD90L-4-1.5KW		
	Type	Scroll	Scroll	Scroll	Scroll	Scroll	Scroll		
Outdoor Coil	Quantity	1	1	1	1	1	1		
	Brand	ZP87KCE-TFD-522	SH090M4LC	SH090M4LC	SH090M4LC	SH090M4LC	SH090M4LC		
Outdoor Fan	Capacity	55000	76990	76990	76990	76990	76990		
	Refrigerant oil charge	1856	3000	3000	3000	3000	3000		
Outdoor Coil	Number of rows	3	3	3	3	3	3		
	Fin spacing	1.3	1.6	1.6	1.6	1.6	1.6		
Outdoor Fan	Tube diameter	3/64"	1/16"	1/16"	1/16"	1/16"	1/16"		
	Tube diameter	mm	7.94	7.94	7.94	7.94	7.94		
Outdoor Fan	Type	Axial	Propeller	Propeller	Propeller	Propeller	Propeller		
	Quantity	1	1	1	1	1	1		
Outdoor Fan	Drive type	Direct	Direct	Direct	Direct	Direct	Direct		
	Motor quantity	1	1	1	1	1	1		
Outdoor sound level(sound pressure level)	Motor model	YDK230-6G-6	YS600-6P	YS600-6P	YS600-6P	YS600-6P	YS600-6P		
	Type	dB(A)	62.9	70.3	70.3	70.3	70.3		
Refrigerant	Refrigerant volume	R410A	R410A	R410A	R410A	R410A	R410A		
	Refrigerant Control	Piston	Capillary	Capillary	Capillary	Capillary	Capillary		
Filer	Quantity	1	2	2	2	2	2		
	Size (WxHxD)	410 X 885 X 25	447 X 885 X 10	447 X 885 X 10	447 X 885 X 10	447 X 885 X 10	447 X 885 X 10		
Shipping	Qty/Per. 20'/40'/60'HQ	1225/36	1228/28	1228/28	1228/28	1228/28	1228/28		
	Pieces								

Note:

The data are based on the following conditions:

Cooling and Power input: (1) Indoor Temperature 26.7°C(80°F) DB / 19.4°C(67°F) WB; - Outdoor Temperature 35°C(95°F) DB.

Heating and Power input: (1) Indoor Temperature 26.7°C(80°F) DB / 19.4°C(67°F) WB; - Outdoor Temperature 46.1°C(115°F) DB.

(2) Indoor Temperature 20°C(68°F) DB/15°C(59°F) WB; - Outdoor Temperature 7°C(44.6°F) DB/6°C(42.8°F) WB.

Heating and Power input: Indoor Temperature 20°C(68°F) DB/15°C(59°F) WB; - Outdoor Temperature 7°C(44.6°F) DB/6°C(42.8°F) WB.

Nominal Ion Model	(Ton)	7.5		7.5		7.5		7.5	
		MRBT-075CVN1-R 380~400V,3Ph,50Hz	MRBT-075CVN1-R 380~400V,3Ph,50Hz	MRBT-075CVN1-R 380~400V,3Ph,50Hz	MRBT-075CVN1-R 380~400V,3Ph,50Hz	MRBT-075CVN1-R 380~400V,3Ph,50Hz	MRBT-075CVN1-R 380~400V,3Ph,50Hz	MRBT-075CVN1-R 380~400V,3Ph,50Hz	
Power Supply	V/Ph/Hz	89000	89000	89000	89000	89000	89000		
	Bluh	26	26	26	26	26	26		
Cooling	Power Input 1	9.2	9.2	9.2	9.2	9.2	9.2		
	Power Input 2	23.5	23.5	23.5	23.5	23.5	23.5		
Heating	Power Input 1	10.7	10.7	10.7	10.7	10.7	10.7		
	Power Input 2	-	-	-	-	-	-		
Max. input consumption	Heating Capacity	-	-	-	-	-	-		
	Power Input	-	-	-	-	-	-		
Max. power input	Indoor fan air flow	13	13	13	13	13	13		
	CFM	2900	2900	2900	2900	2900	2900		
Performance	ESP	60	60	60	60	60	60		
	EER 1	9.7	9.7	9.7	9.7	9.7	9.7		
Indoor Coil	EER 2	7.5	7.5	7.5	7.5	7.5	7.5		
	COP	/	/	/	/	/	/		
Indoor Fan	Number of rows	2	2	2	2	2	2		
	Fin spacing	1.6	1.6	1.6	1.6	1.6	1.6		
Compressor	Tube diameter	1/16"	1/16"	1/16"	1/16"	1/16"	1/16"		
	Tube diameter	mm	7.94	7.94	7.94	7.94	7.94		
Outdoor Coil	Type	Centrifugal	Centrifugal	Centrifugal	Centrifugal	Centrifugal	Centrifugal		
	Quantity	1	1	1	1	1	1		
Outdoor Fan	Drive type	Belt	Belt	Belt	Belt	Belt	Belt		
	Motor quantity	1	1	1	1	1	1		
Compressor	Motor model	YFD90L-4-1.5KW	YFD90L-4-1.5KW	YFD90L-4-1.5KW	YFD90L-4-1.5KW	YFD90L-4-1.5KW	YFD90L-4-1.5KW		
	Type	Scroll	Scroll	Scroll	Scroll	Scroll	Scroll		
Outdoor Coil	Quantity	1	1	1	1	1	1		
	Brand	SH105M4ALC	SH105M4ALC	SH105M4ALC	SH105M4ALC	SH105M4ALC	SH105M4ALC		
Outdoor Fan	Capacity	91500	91500	91500	91500	91500	91500		
	Refrigerant oil charge	3000	3000	3000	3000	3000	3000		
Outdoor Coil	Number of rows	3	3	3	3	3	3		
	Fin spacing	1.6	1.6	1.6	1.6	1.6	1.6		
Outdoor Fan	Tube diameter	1/16"	1/16"	1/16"	1/16"	1/16"	1/16"		
	Tube diameter	mm	7.94	7.94	7.94	7.94	7.94		
Outdoor Fan	Type	Propeller	Propeller	Propeller	Propeller	Propeller	Propeller		
	Quantity	1	1	1	1	1	1		
Outdoor Fan	Drive type	Direct	Direct	Direct	Direct	Direct	Direct		
	Motor quantity	1	1	1	1	1	1		
Outdoor sound level(sound pressure level)	Motor model	YS600-6P	YS600-6P	YS600-6P	YS600-6P	YS600-6P	YS600-6P		
	Type	dB(A)	70.3	70.3	70.3	70.3	70.3		
Refrigerant	Refrigerant volume	R410A	R410A	R410A	R410A	R410A	R410A		
	Refrigerant Control	Piston	Capillary	Capillary	Capillary	Capillary	Capillary		
Filer	Quantity	1	2	2	2	2	2		
	Size (WxHxD)	410 X 885 X 25	447 X 885 X 10	447 X 885 X 10	447 X 885 X 10	447 X 885 X 10	447 X 885 X 10		
Shipping	Qty/Per. 20'/40'/60'HQ	1225/36	1228/28	1228/28	1228/28	1228/28	1228/28		
	Pieces								

Note:

The data are based on the following conditions:

Cooling and Power input: (1) Indoor Temperature 26.7°C(80°F) DB / 19.4°C(67°F) WB; - Outdoor Temperature 35°C(95°F) DB.

Heating and Power input: (1) Indoor Temperature 26.7°C(80°F) DB / 19.4°C(67°F) WB; - Outdoor Temperature 46.1°C(115°F) DB.

(2) Indoor Temperature 20°C(68°F) DB/15°C(59°F) WB; - Outdoor Temperature 7°C(44.6°F) DB/6°C(42.8°F) WB.

Heating and Power input: Indoor Temperature 20°C(68°F) DB/15°C(59°F) WB; - Outdoor Temperature 7°C(44.6°F) DB/6°C(42.8°F) WB.

Nominal Ion Model	8.5		10		12.5		15	
	VRPHz	VRPHz	VRPHz	VRPHz	VRPHz	VRPHz	VRPHz	VRPHz
Power Supply	103600	103600	120000	120000	147000	147000	147000	180000
	30	30	35	35	43	43	43	53
Cooling	10.4	10.4	11.8	11.8	16.2	16.2	16.2	18.6
	91450	91450	97000	97000	97000	97000	97000	195700
Heating	28.8	28.8	31.4	31.4	-	-	-	46.5
	11.9	11.9	13.1	13.1	13.1	13.1	13.1	21.3
Max. input consumption	71700	71700	-	-	128000	128000	167000	-
	21	21	-	-	37	37	49	-
Max. power input	25.2	14	17.7	23.2	17	17	21.2	27
	30	27.5	30	30	31	31	37.8	53
Performance	3600	3600	4030	4030	5200	5200	5200	53
	75	75	75	75	90	90	90	90
Indoor Coil	9.8	9.8	10.2	10.2	10.2	10.2	10.2	9.7
	7.7	7.7	8.2	8.2	8.2	8.2	7.94	7.5
Indoor Fan	11.6	11.6	/	/	11.6	11.6	/	/
	3	3	3	3	3	3	3	3
Compressor	1.4	1.4	1.4	1.4	1.4	1.4	1.5	1.4
	1/16"	1/16"	1/16"	1/16"	1/16"	1/16"	1/16"	1/16"
Outdoor Coil	7.94	7.94	7.94	7.94	7.94	7.94	7.94	7.94
	5/16"	5/16"	5/16"	5/16"	5/16"	5/16"	5/16"	5/16"
Outdoor Fan	Centrifugal	Centrifugal	Centrifugal	Centrifugal	Centrifugal	Centrifugal	Centrifugal	Centrifugal
	1	1	1	1	1	1	1	1
Compressor	YFD90L4-1.5KW	YFD90L4-1.5KW	YFD90L4-1.5KW	YFD90L4-1.5KW	YFD90L4-1.5KW	YFD90L4-1.5KW	Y2-100L2.4	Y2-100L2.4
	Scroll	Scroll	Scroll	Scroll	Scroll	Scroll	Scroll	Scroll
Outdoor Coil	SH120AALC	SH120AALC	SH140AALC	SH140AALC	SH140AALC	SH140AALC	ZP120KGE-1FD-522	ZP120KGE-1FD-522
	102200	102200	119000	119000	119000	119000	98500+50000	98500+50000
Outdoor Fan	3300	3300	3300	3300	3300	3300	1774	3000*2
	3	3	3	3	3	3	3.5	3
Shipping	1.6	1.6	1.6	1.6	1.6	1.6	1.5	1.6
	1/16"	1/16"	1/16"	1/16"	1/16"	1/16"	1/16"	1/16"

Note: The data are based on the following conditions:
 Cooling and Power input: (1) Indoor Temperature 26.7°C(80°F) DB / 19.4°C(67°F) WB; - Outdoor Temperature 35°C(95°F) DB.
 Heating and Power input: Indoor Temperature 20°C(68°F) DB/15°C(59°F) WB; - Outdoor Temperature 7°C(44.6°F) DB/6°C(42.8°F) WB.

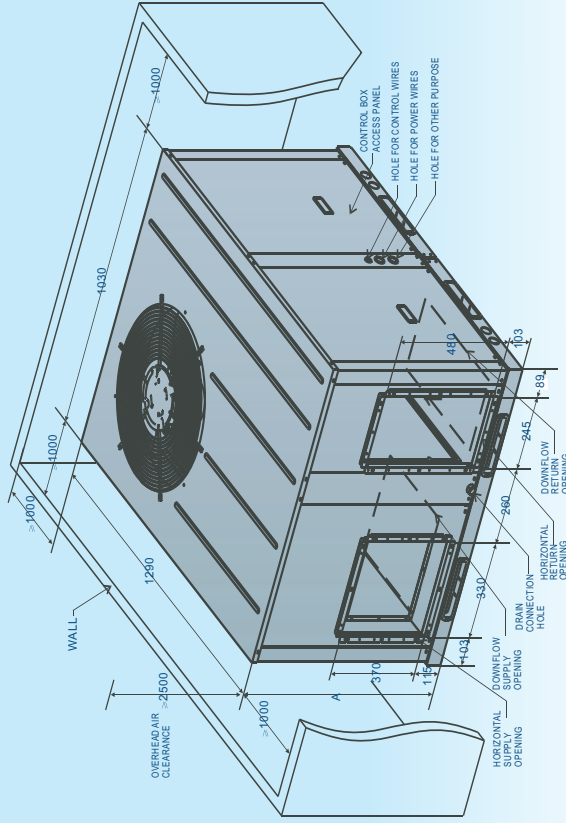
Nominal ton	(Ton)	15	15	17.5	17.5	20	20	20
Model	V/PhHz	MRBT-15EWHN1-R	MRBT-15CWHN1-R	MRBT-17EWHN1-R	MRCT-17EWHN1-R	MRBT-17EWHN1-R	MRBT-20CWHN1-R	MRBT-20EWHN1-R
Power Supply	380~400V/3Ph,50Hz	180000	205000	205000	205000	205000	240000	240000
Cooling	Cooling Capacity 1	Btuh	53	60	60	70	70	70
	Power input 1	KW	18.6	20	20	23.6	23.6	23.6
	Cooling Capacity 2	Btuh	15700	176500	176500	210000	210000	210000
Heating	Power input 2	KW	21.3	23.5	23.5	27.7	27.7	27.7
	Heating Capacity	Btuh	102400	191000	191000	133100	133100	256000
	Power input	KW	30	30	30	39	39	75
Max. input consumption	KW	32	27	29	32	36	41	36
Max. power input	A	53	45	65	65	66	66	75
Performance	Indoor fan air flow	CFM	6150	6150	6150	8400	8400	8400
	ESP	Pa	9.0	9.0	9.0	10.0	10.0	10.0
	EER1	Btuh/W	9.7	10.2	10.2	10.1	10.1	10.1
	EER2	Btuh/W	7.5	7.5	7.5	7.6	7.6	7.6
	COP	Btuh/W	11	11	11	11	11	11
Indoor Coil	Number of rows	3	3	3	3	3	3	3
	Fin spacing	mm	1.4	1.4	1.4	1.6	1.6	1.6
	Tube diameter	inch	1/16"	1/16"	1/16"	1/16"	1/16"	1/16"
	Type	Centrifugal	Centrifugal	Centrifugal	Centrifugal	Centrifugal	Centrifugal	Centrifugal
Indoor Fan	Quantity	1	1	1	1	1	1	1
	Drive type	Belt	Belt	Belt	Belt	Belt	Belt	Belt
Compressor	Motor quantity	1	1	1	1	1	1	1
	Motor model	YFD132S-4-5.5KW	YFD132S-4-5.5KW	YFD132S-4-5.5KW	YFD132S-4-5.5KW	YFD132S-4-5.5KW	YFD132S-4-5.5KW	YFD132S-4-5.5KW
	Type	Scroll	Scroll	Scroll	Scroll	Scroll	Scroll	Scroll
	Model	SH105AALC	SH120AALC	SH120AALC	SH120AALC	SH140AALC	SH140AALC	SH140AALC
	Brand	Danfoss	Danfoss	Danfoss	Danfoss	Danfoss	Danfoss	Danfoss
Outdoor Coil	Capacity	Btuh	91500*2	102200*2	102200*2	119000*2	119000*2	119000*2
	Refrigerant oil charge	ml	3000*2	3000*2	3000*2	3300*2	3300*2	3300*2
	Number of rows	3	3	3	3	4	4	4
Outdoor Fan	Fin spacing	mm	1.6	1.6	1.6	1.6	1.6	1.6
	Tube diameter	inch	1/16"	1/16"	1/16"	1/16"	1/16"	1/16"
	Type	Propeller	Propeller	Propeller	Propeller	Propeller	Propeller	Propeller
Outdoor sound level(sound pressure level)	Quantity	2	2	2	2	2	2	2
	Drive type	Direct	Direct	Direct	Direct	Direct	Direct	Direct
Refrigerant	Motor quantity	2	2	2	2	2	2	2
	Motor model	YS600-6P	YS600-6P	YS1100-6	YS1100-6	YS1500-6	YS1500-6	YS1500-6
	Type	R410A	R410A	R410A	R410A	R410A	R410A	R410A
	Refrigerant volume	Kg	5.8 X 2	5.2 X 2	5.2 X 2	8.1 X 2	8.1 X 2	8.8 X 2
	Refrigerant control	Capillary	Capillary	Capillary	Capillary	Capillary	Capillary	Capillary
Filter	Quantity	2	2	2	2	2	3	3
	Size (W*H*D)	mm	900 X 815 X 12.5	900 X 815 X 12.5	900 X 815 X 12.5	640 X 1008 X 12.5	640 X 1008 X 12.5	640 X 1008 X 12.5
Shipping	Qty/Per 20'40'/40'HQ	3/6/12	3/6/12	3/6/12	3/6/12	2/4/8	2/4/8	2/4/8

Note:
 The data are based on the following conditions:
 Cooling and Power input: (1) Indoor Temperature 26.7°C(80°F) DB / 19.4°C(67°F) WB; - Outdoor Temperature 35°C(95°F) DB.
 Heating and Power input: Indoor Temperature 20°C(68°F) DB/15°C(59°F) WB; - Outdoor Temperature 7°C(44.6°F) DB/6°C(42.8°F) WB.

Dimensional data

T1 Condition-R22

MRA

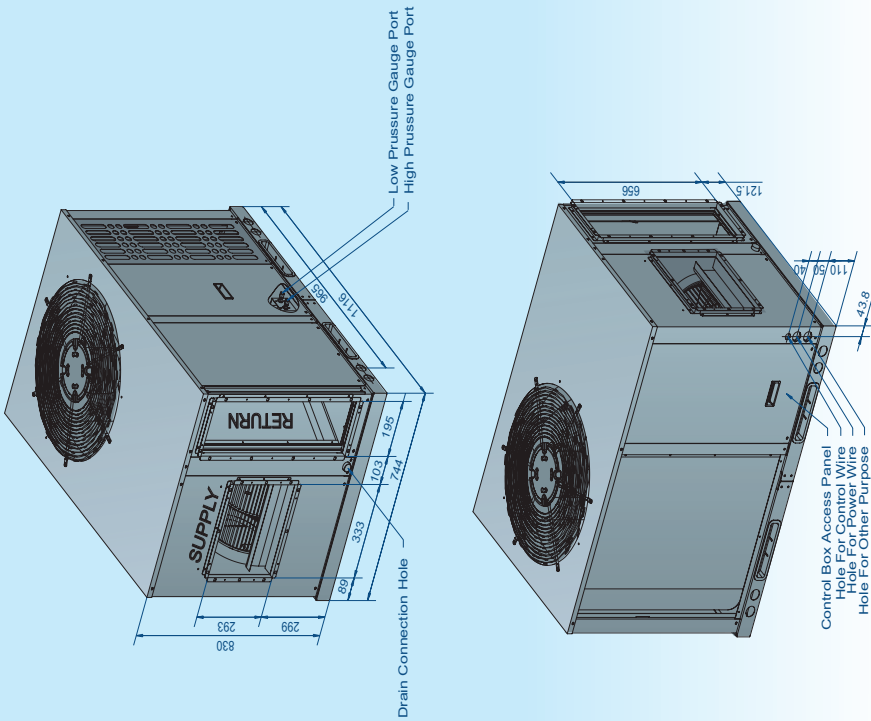


Model	Net size(WxHxD,mm)	Packing size(WxHxD,mm)	Net weight(kg)	Gross weight(kg)
MRA-24HW-Q	1200×630×1030	1325×665×1085	150	152
MRA-36HW-Q	1200×630×1030	1325×665×1085	160	162
MRA-36HW-R	1200×630×1030	1325×665×1085	160	162
MRA-48HW-R	1200×800×1030	1325×665×1085	197	200
MRA-60HW-R	1200×800×1030	1325×665×1085	197	200

Nominal ton Model	(1 ton)		(30)		(30)	
	MRCT-300QVNI-H-R 380~400V,3Ph,50Hz	MRCT-300QVNI-H-R 380~400V,3Ph,50Hz	MRCT-300QVNI-H-R 380~400V,3Ph,50Hz	MRCT-300QVNI-H-R 380~400V,3Ph,50Hz	MRCT-300QVNI-H-R 380~400V,3Ph,50Hz	MRCT-300QVNI-H-R 380~400V,3Ph,50Hz
Power Supply	V/Ph/Hz	380-400V/3Ph/50Hz	380-400V/3Ph/50Hz	380-400V/3Ph/50Hz	380-400V/3Ph/50Hz	380-400V/3Ph/50Hz
	Bluh	331000	331000	331000	331000	331000
Cooling Capacity 1	KW	97	97	97	97	97
	Power Input 1	33	33	33	33	33
Cooling Capacity 2	Bluh	296600	296600	296600	296600	296600
	KW	87.8	87.8	87.8	87.8	87.8
Power Input 2	KW	40.1	40.1	40.1	40.1	40.1
	Bluh	133000	133000	133000	133000	133000
Heating Capacity	KW	-	-	-	-	-
	Power Input	39	39	39	39	39
Max. input consumption	KW	48	48	48	48	48
	A	92	92	92	92	92
Max. power input	CFM	12000	12000	12000	12000	12000
	Pa	250	250	250	250	250
Performance	ESP	10	10	10	10	10
	EER1	7.5	7.5	7.5	7.5	7.5
EER2	Bluh/HW	/	/	/	/	/
	COP	/	/	/	/	/
Indoor Coil	Number of rows	3	3	3	3	3
	Fin spacing	1.5 1/16"	1.5 1/16"	1.5 1/16"	1.5 1/16"	1.5 1/16"
Indoor Fan	Tube diameter	7	7	7	7	7
	Type	9/32"	9/32"	9/32"	9/32"	9/32"
Compressor	Quantity	1	1	1	1	1
	Drive type	Centrifugal	Centrifugal	Centrifugal	Centrifugal	Centrifugal
Outdoor Coil	Motor quantity	1	1	1	1	1
	Motor model	Y(2)132M-4-7.5KW	Y(2)132M-4-7.5KW	Y(2)132M-4-7.5KW	Y(2)132M-4-7.5KW	Y(2)132M-4-7.5KW
Compressor	Type	Scroll	Scroll	Scroll	Scroll	Scroll
	Model	SH184AALC	SH184AALC	SH184AALC	SH184AALC	SH184AALC
Outdoor Fan	Brand	Danfoss	Danfoss	Danfoss	Danfoss	Danfoss
	Capacity	152384×2	152384×2	152384×2	152384×2	152384×2
Indoor Fan	Refrigerant oil charge	3600×2	3600×2	3600×2	3600×2	3600×2
	Number of rows	3.5	3.5	3.5	3.5	3.5
Outdoor Coil	Fin spacing	1.6 1/16"	1.6 1/16"	1.6 1/16"	1.6 1/16"	1.6 1/16"
	Tube diameter	7	7	7	7	7
Outdoor Fan	Type	9/32"	9/32"	9/32"	9/32"	9/32"
	Drive type	Propeller	Propeller	Propeller	Propeller	Propeller
Outdoor Fan	Quantity	2	2	2	2	2
	Drive type	Direct	Direct	Direct	Direct	Direct
Outdoor Fan	Motor quantity	2	2	2	2	2
	Motor model	YS1500-6	YS1500-6	YS1500-6	YS1500-6	YS1500-6
Outdoor sound level (sound pressure level)	dB(A)	74.2	74.2	74.2	74.2	74.2
	Type	R410A	R410A	R410A	R410A	R410A
Refrigerant	Refrigerant volume	8.3 X 2	8.4 X 2	8.4 X 2	8.4 X 2	8.4 X 2
	Refrigerant Control	Capillary	Capillary	Capillary	Capillary	Capillary
Filter	Quantity	3	3	3	3	3
	Size (WxHxD)	1482 X 640 X 12.5	1482 X 640 X 12.5	1482 X 640 X 12.5	1482 X 640 X 12.5	1482 X 640 X 12.5
Shipping	Qty/Per 20'40'40'HQ	2/4/4	2/4/4	2/4/4	2/4/4	2/4/4

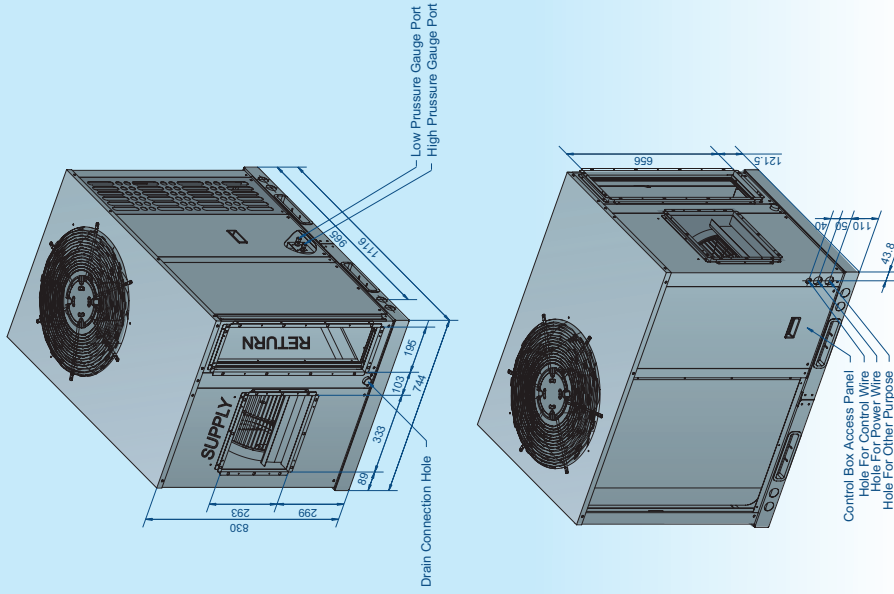
Note:

The data are based on the following conditions:
Cooling and Power input: (1) Indoor Temperature 26.7°C(80°F) DB / 19.4°C(67°F) WB; - Outdoor Temperature 35°C(95°F) DB.
(2) Indoor Temperature 26.7°C(80°F) DB / 19.4°C(67°F) WB; - Outdoor Temperature 46.1°C(115°F) DB.
Heating and Power input: Indoor Temperature 20°C(68°F) DB/15°C(59°F) WB; - Outdoor Temperature 7°C(44.6°F) DB/6°C(42.8°F) WB.



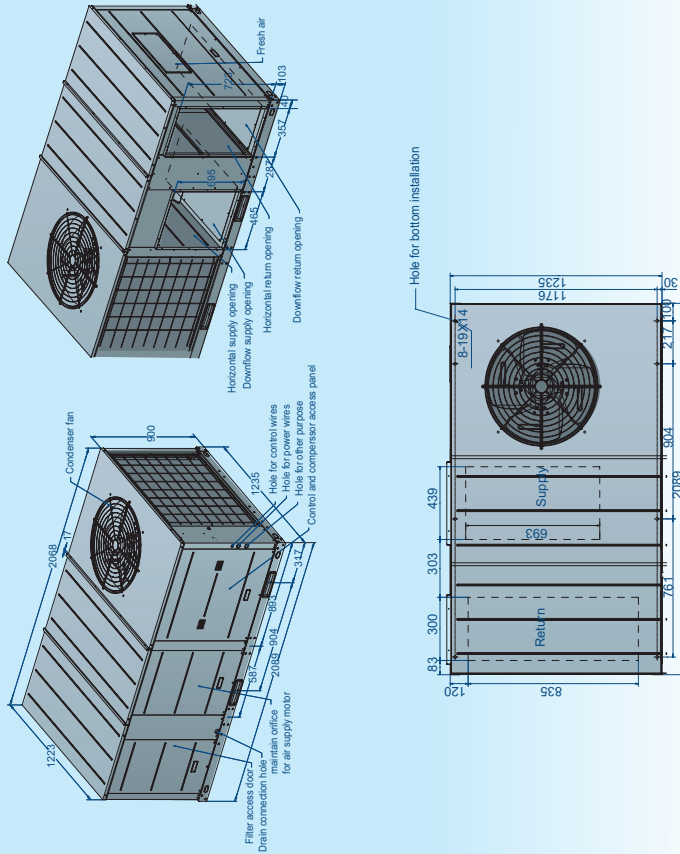
Model	Net size(WxHxDmm)	Packing size(WxHxDmm)	Net weight(kg)	Gross weight(kg)
MRC-36HW	1290*630*1030	1325*665*1085	158	161
MRC-36HW-R	1290*630*1030	1325*665*1085	158	161
MRC-48HW-R	1290*830*1030	1325*865*1085	169	172
MRC-60HW-R	1290*830*1030	1325*865*1085	171	174

T3 Condition-R22
3&4&5ton



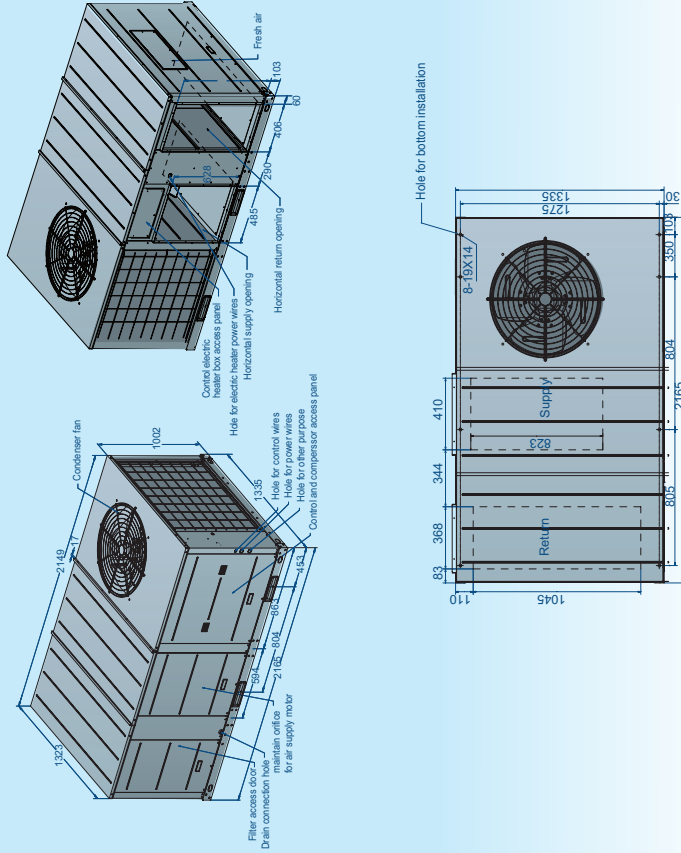
Model	Net size(WxHxDmm)	Packing size(WxHxDmm)	Net weight(kg)	Gross weight(kg)
MRCT-36CW	1102*830*730	1152*870*765	156	159
MRCT-36CW-R	1102*830*730	1152*870*765	156	159
MRCT-48CW-R	1102*830*730	1152*870*765	167	170
MRCT-60CW-R	1102*830*730	1152*870*765	167	170

6.2&7.5ton



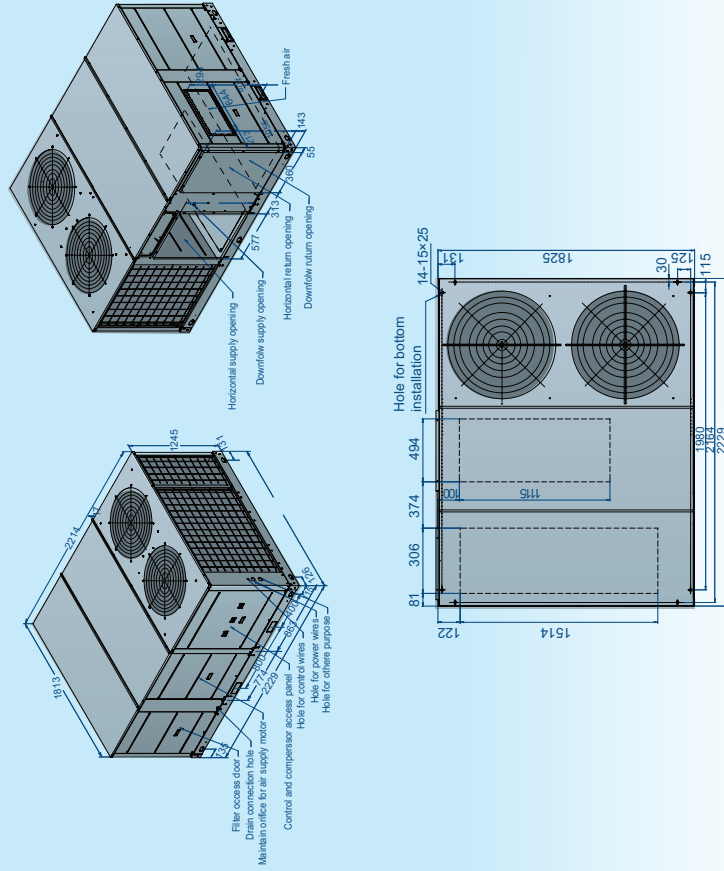
Model	Net size(WxHxD:mm)	Packing size(WxHxD:mm)	Net weight(Kg)	Gross weight(Kg)
MRBT-062CW-R	2089×900×1235	2135×940×1315	370	414
MRCT-062EW-R	2089×900×1235	2135×940×1315	380	424
MRDT-062EW-R	2089×900×1235	2135×940×1315	380	424
MRBT-075CW-R	2089×900×1235	2135×940×1315	370	414
MRCT-075EW-R	2089×900×1235	2135×940×1315	380	424
MRDT-075EW-R	2089×900×1235	2135×940×1315	380	424
MRBT-075HW-R	2089×900×1235	2135×940×1315	375	419

8.5&10ton



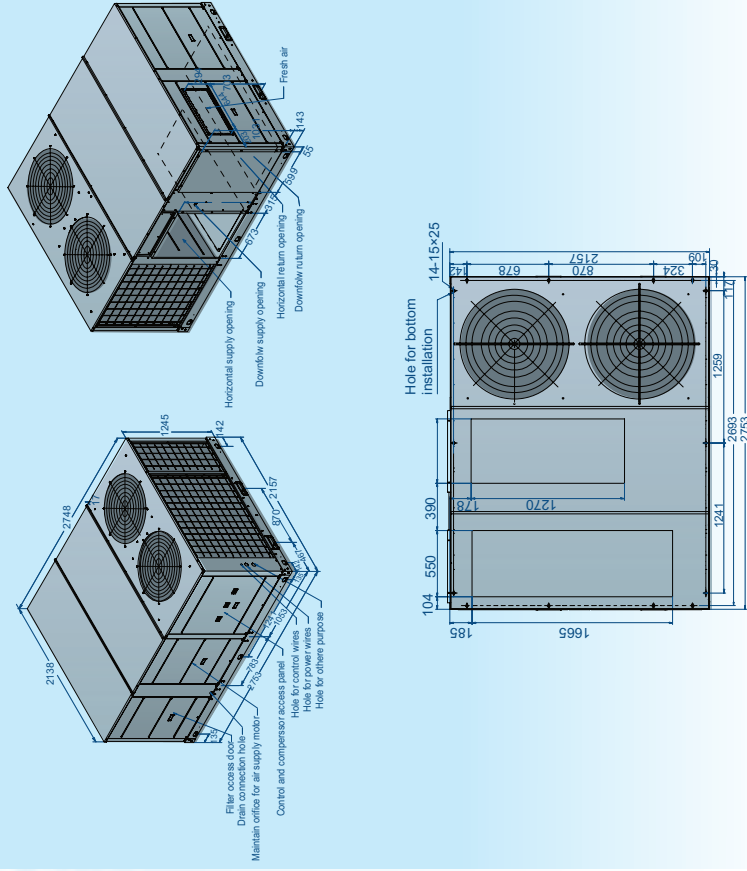
Model	Net size(WxHxD:mm)	Packing size(WxHxD:mm)	Net weight(kg)	Gross weight(kg)
MRBT-085CW-R	2165×1002×1335	2220×1040×1415	425	438
MRCT-085EW-R	2165×1002×1335	2220×1040×1415	435	448
MRDT-085EW-R	2165×1002×1335	2220×1040×1415	435	448
MRBT-100CW-R	2165×1002×1335	2220×1040×1415	425	438
MRCT-100EW-R	2165×1002×1335	2220×1040×1415	435	448
MRDT-100EW-R	2165×1002×1335	2220×1040×1415	435	448
MRBT-100HW-R	2165×1002×1335	2220×1040×1415	430	473

12.5& 15ton



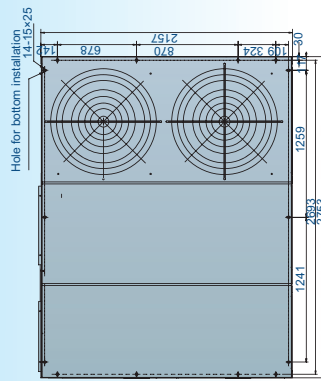
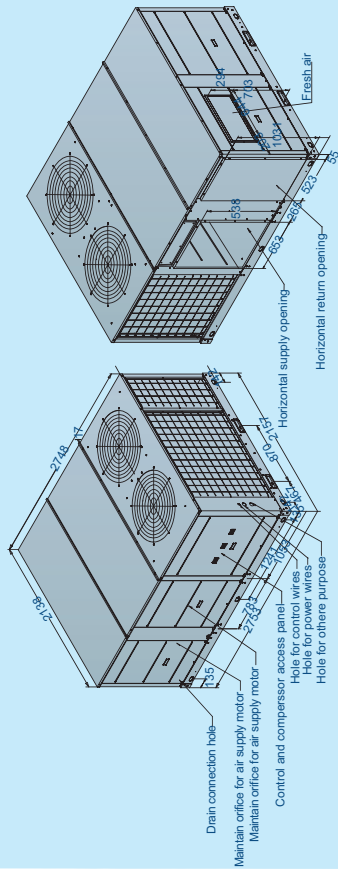
Model	Net size(WxHxD,mm)	Packing size(WxHxD,mm)	Net weight(Kg)	Gross weight(Kg)
MRBT-125CW-R	2229*1245*1825	2238*1280*1855	680	700
MRCT-125EW-R	2229*1245*1825	2238*1280*1855	690	710
MRDT-125EW-R	2229*1245*1825	2238*1280*1855	690	710
MRBT-150CW-R	2229*1245*1825	2238*1280*1855	690	710
MRCT-150EW-R	2229*1245*1825	2238*1280*1855	700	720
MRDT-150EW-R	2229*1245*1825	2238*1280*1855	700	720
MRBT-150HW-R	2229*1245*1825	2238*1280*1855	720	740

17.5&20ton



Model	Net size(WxHxD,mm)	Packing size(WxHxD,mm)	Net weight(Kg)	Gross weight(Kg)
MRBT-175CW-R	2753*1245*2157	2760*1280*2175	900	915
MRCT-175EW-R	2753*1245*2157	2760*1280*2175	915	930
MRBT-200CW-R	2753*1245*2157	2760*1280*2175	940	955
MRCT-200EW-R	2753*1245*2157	2760*1280*2175	955	970
MRDT-200EW-R	2753*1245*2157	2760*1280*2175	955	970

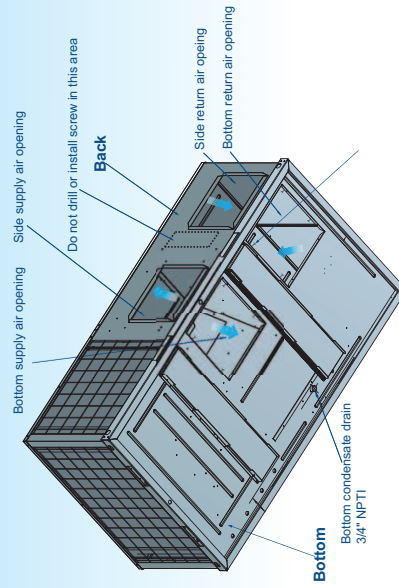
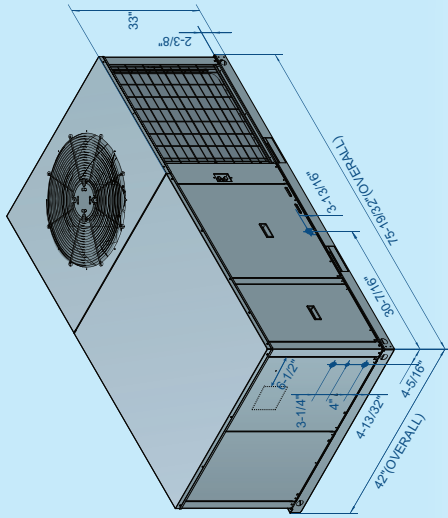
25ton



Model	Net size(WxHxD,mm)	Packing size(WxHxD,mm)	Net weight(Kg)	Gross weight(Kg)
MRCT-250CW-R	2753x1245x2157	2760x1280x2175	965	980
MRCT-250EW-R	2753x1245x2157	2760x1280x2175	980	995
MRCT-250HW-R	2753x1245x2157	2760x1280x2175	970	985

T3 Condition-R410A

5ton



Model	Net size(WxHxD,mm)	Packing size(WxHxD,mm)	Net weight(Kg)	Gross weight(Kg)
MRBT-60CWN+R	1920x840x1068	1955x870x1085	230	234