

► Fan Coil Units

# Aqu@Fan II

*Innovative,  
High Performance,  
Quiet Units.*



**Engineering Data Manual**

**EDM AQF-E.5GB**

Date : May 2007

Supersedes : TM AQF-E.4GB/01.06



# Quality, efficiency and reliability, built into every unit...



*Support feet supplied as optional*

## ■ **Vertical console units with cabinet, AWC type**

AWC vertical console units are designed for use in three different types of installation :

- as a wall hung console in areas where a skirting board prevents the use of a floor mounted console ;
- as a floor console with optional front air intake RF (most frequently located below a large window) ;
- as a floor console with support feet and bottom air intake.

They feature a modern decorative style cabinet with matching plastic discharge grille, providing a high performance unit that is attractive and durable which will complement any room decor.

The AWC models can be fitted, as optional, with electromechanical or electronic Aqu@Net control, with valve kits, etc.

## ■ **Vertical concealed units without cabinet, AWN type**

AWN vertical chassis only units are designed for applications that require a fully concealed or a fully recessed installation.

These units include all the features of the AWC vertical console unit type except that only the chassis is supplied instead of decorative style cabinet.

Like the AWC units, Aqu@Net control (except the remote control) as well as other electromechanical controls and valve kits can be fitted, as optional, on unit.

Units can be fitted with optional feet (supplied loose), if floor mounting is required.



*Bottom air intake grille supplied as optional*

## ■ **Ceiling exposed units with cabinet, AHC type**

AHC ceiling exposed units are designed for ceiling mounting in areas where it is necessary to conserve floor space.

They contain all the features of the AWC unit within the decorative style cabinet with matching plastic discharge grille.

Standard version is designed for rear horizontal air intake without inlet grille.

Similar to the previous models, the Aqu@Net control can be supplied, as optional, on AHC units with remote control. Other optional controls and valve kits are also available.

## ■ **Ceiling concealed units without cabinet, AHN type**

AHN ceiling chassis units are designed for concealed or recessed ceiling installations. This unit consists of the AHC basic unit horizontally installed.

AHN units contain all the features of the AHC ceiling exposed units except that only the chassis casing is supplied instead of the decorative style cabinet.

Possibility of supplying separately an optional Aqu@Net type remote control for wall mounting. Other optional controls and valve kits are also available.



*Auxiliary drain pan supplied as optional*

# New range of fan coil units Aqu@Fan II : "Innovation for an optimum comfort"

Easy to install, improvement in sound levels and performances, new Aqu@Net electronic control...

The new range of **Aqu@Fan II** fan coil units is issued from a development striving to meet customers' wishes and advices.

Aesthetic of the grille, associated with the casing refined finish allows a harmonious and smart integration of the fan coil units **Aqu@Fan II** in all types of interiors.

They are the ideal solution to air condition agreeably and efficiently, flats, hotels, hospitals, offices and other premises, all year long.

The Aqu@Fan II fan coil units range includes **9 sizes** with air flows ranging from **100 thru 1600 m<sup>3</sup>/h**, for cooling capacities of **1 thru 10 kW**.

The Aqu@Fan II fan coil units are equipped with optimized coils to bring the best possible performances in **2-pipe, 4-pipe, or 2-pipe/2-wire versions**.

## ■ Design features

### Cabinet

All units are manufactured from heavy-gauge zinc coated sheet steel for long life and durability. Oven baked powder epoxy paint insures a good protection and an attractive finish for all outside panels. (Standard colour : **RAL 9003**).

The standard discharge grille is made of "ABS" plastic and has a different colour from the cabinet (standard colour : **Pantone 427C**).

On the versions with optional front intake, monobloc grille, painted in RAL 9003, is mounted flush to the cabinet. Grille can be removed by releasing the two quarter turn fixing screws to get access to the filter.

### Casing

Made of galvanized steel insulated with closed cell polyethylene foam. Casing has 4 slotted lugs on its rear side which allow the unit to be easily and quickly installed at site, in wall or ceiling mounting.

Access to all internal components of the unit is facilitated by an easy dismantling of the casing.

Condensate drain pan is fabricated from galvanized sheet steel coated with closed cell polyethylene foam on external face. **The drain pan is painted** to insure the anticorrosion protection.

For the models AHC/AHN 10 to 90, a V-shape condensate drain pan is provided to ensure optimal condensate draining and to minimize water retention.

The models AWC/AWN/AHC/AHN 20 to 70 are also equipped with a **V-shape pan in order to allow indifferently the vertical or horizontal installation**.

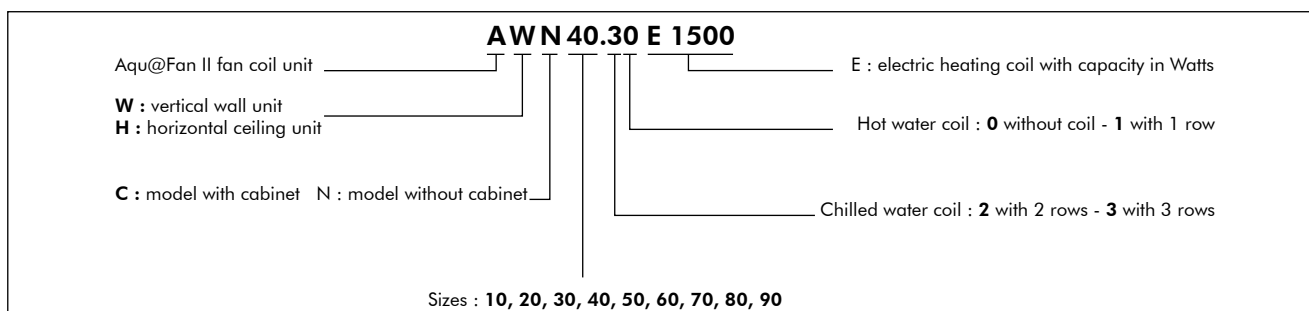
### Coils

Made of staggered copper tubes, mechanically expanded into high efficiency aluminium fins, assuring maximum heat transfer efficiency.

- On two pipe system, fan coil units are factory mounted with a 2 row main coil or optional 3 row coil supplying higher capacity ;
- On four pipe system, fan coil units can be factory mounted with a 2 or 3 row main coil plus 1 row auxiliary heating coil.

The 4-pipe and 2-pipe/2-wire coils are supplied in one finned block only for models 10, 80 and 90 and in **two separate coils** for models 20 to 70.

## ■ Model nomenclature



Moreover, the new technology of the fan motor assembly, through the use of optimized centrifugal impellers, associated with a **5-speed motor enables all Aqu@Fan II models to reach an average decrease in sound levels of - 4dBA**, compared with the previous range, offering therefore a maximum acoustical comfort.

Aqu@Fan II range is provided with a **new electronic control : Aqu@Net**, whose ergonomic and discrete remote command can be loose or fitted on the fan coil unit.

All settings being made at factory, no needs to be done by installer.

This control, especially innovating, **offers as standard a master/slave function up to 15 units** from one single remote control.

Other features like window contact, occupied/unoccupied, antifreeze modes are integrated without involving any price add.

Each coil is supplied with headers having air vent at the highest point and drain plug at the lowest point. The water connection of each header is 1/2"Ø female threaded type.

For the 2-pipe/2-wire systems, the electric heating coil is composed of heating **rod type resistances** mounted inside the coil (at the place of hot water tubes).

The electric resistances, supplied in kit form, will be **finned type resistances**.

**Note** : The water connection side is defined left-hand or right-hand when observer is looking at the unit from the discharge side.

### Fan and motor assembly

The units are fitted with :

- centrifugal impellers, specially designed to provide low noise levels with optimum air volume ;
- **5-speed motor** with 3 factory wired standard speeds. Each motor is fitted with thermal protection of automatic reset type.

Power supply : 230 V ± 10 % / 1 Ph / 50 Hz.

### Electrical connections

Units are supplied complete with internal electrical wiring terminating in a junction block protected by a cap or the cabinet.

Cabinet internal space allows installation of optional control systems supplied by manufacturer or others.

When the optional Aqu@Net control is fitted on the unit, the controller includes a junction block for 230 V / 1 Ph / 50 Hz power supply connection and incorporates, as standard, a cable clamp.

### Filter

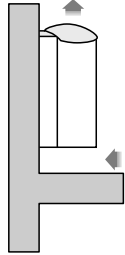
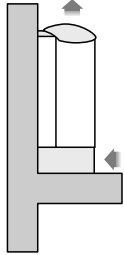
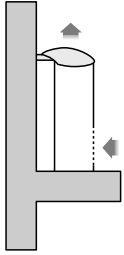
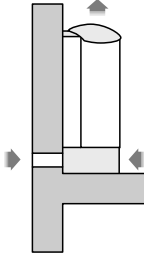
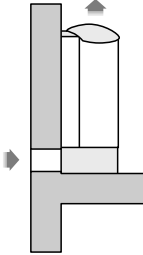
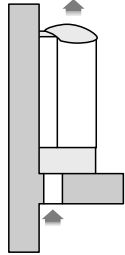
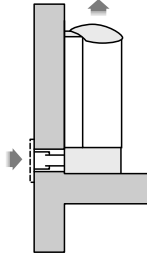

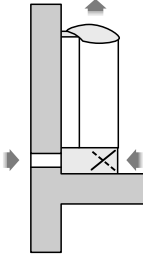
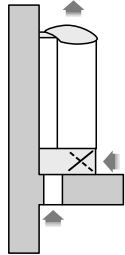
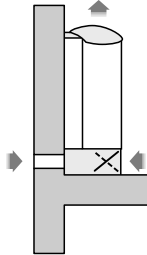
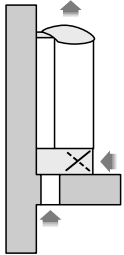
Easily removable cleanable filter having fire class M1 and G1 efficiency. Filter media is mounted on a galvanized steel frame.

### Options and accessories

Many different options and accessories are available for all units : see pages 4,6 and 8. Controls are shown on pages 17 to 19.

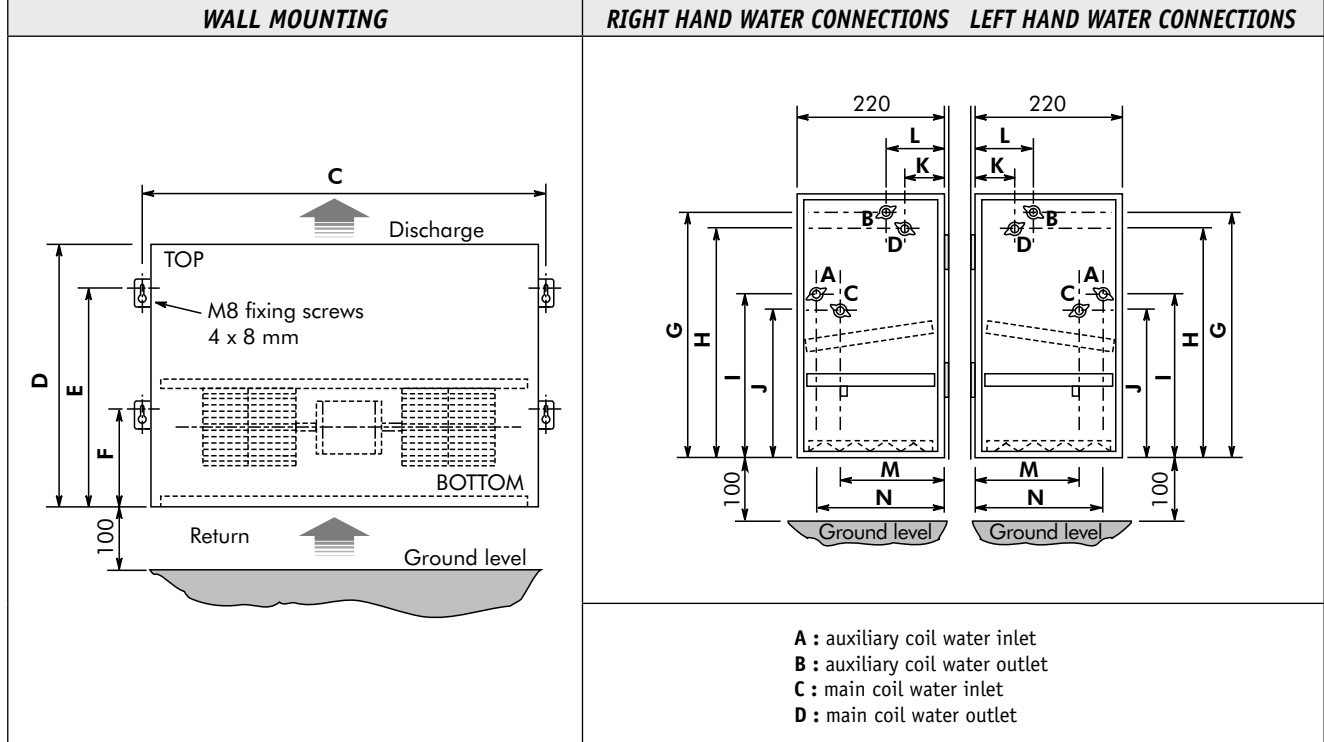
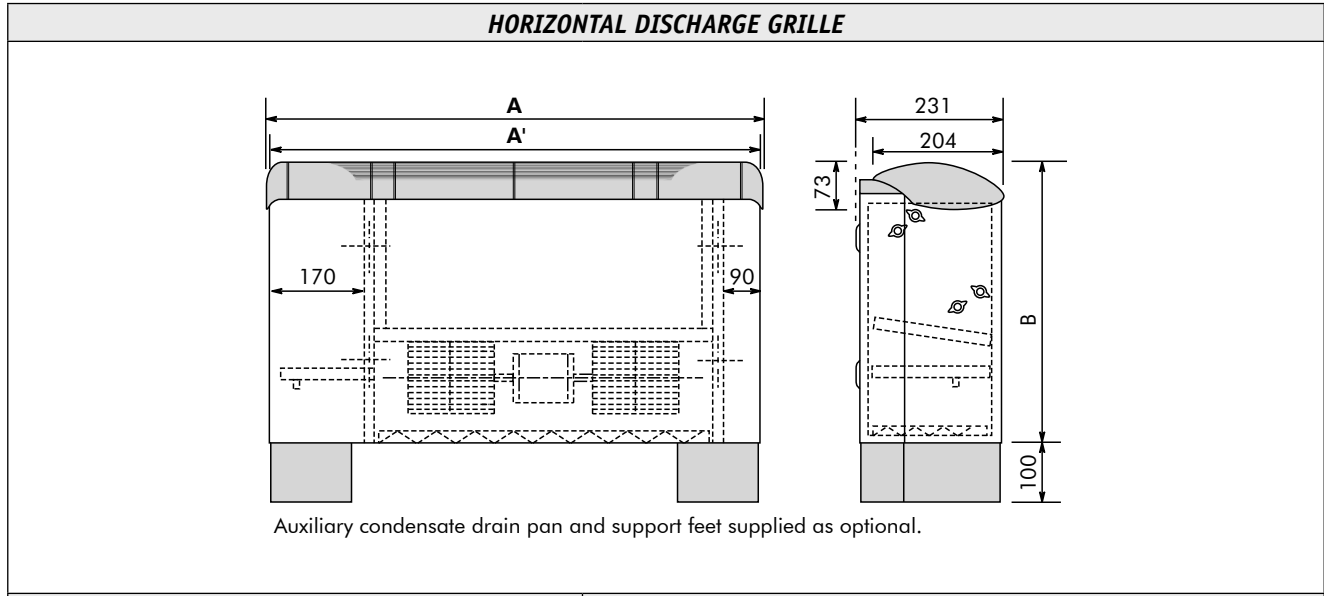
## Options and accessories

<b>STD</b>	standard version for wall mounting (no support feet supplied).
<b>MP</b>	support feet for floor mounting.
<b>MPG</b>	air intake grille between feet.
<b>RF</b>	front air intake grille (no support feet supplied).
<b>RP</b>	back partial air intake with support feet.
<b>RT</b>	back full air intake with support feet.
<b>RC</b>	floor air intake with support feet.
<b>RVCA-RT</b>	air intake arrangement with motorized (non controlled) on/off damper (back or front intake).
<b>RVCA-RC</b>	air intake arrangement with motorized (non controlled) on/off damper (floor or front intake).
<b>RVCM-RT</b>	air intake arrangement with manual damper (back or/and front intake).
<b>RVCM-RC</b>	air intake arrangement with manual damper (floor or/and front intake).
<b>TMT</b>	telescopic wall sleeve.
<b>TMTG</b>	telescopic wall sleeve with external grille (filter not supplied).
<b>RH</b>	cabinet backwrap for plinth.
<b>ALV</b>	finished back panel (for unit mounted in front of glass wall).
<b>BAC</b>	auxiliary drain pan (for units without motorized valves).
<b>FIX SOL</b>	floor fixing brackets.

<b>STD</b>	<b>MP/MPG</b>	<b>RF</b>	<b>RP *</b>	<b>RT</b>
				
				
				

\* Can be fitted with optional intake grille between feet.

# Dimensional Data - Aqu@Fan II AWC models



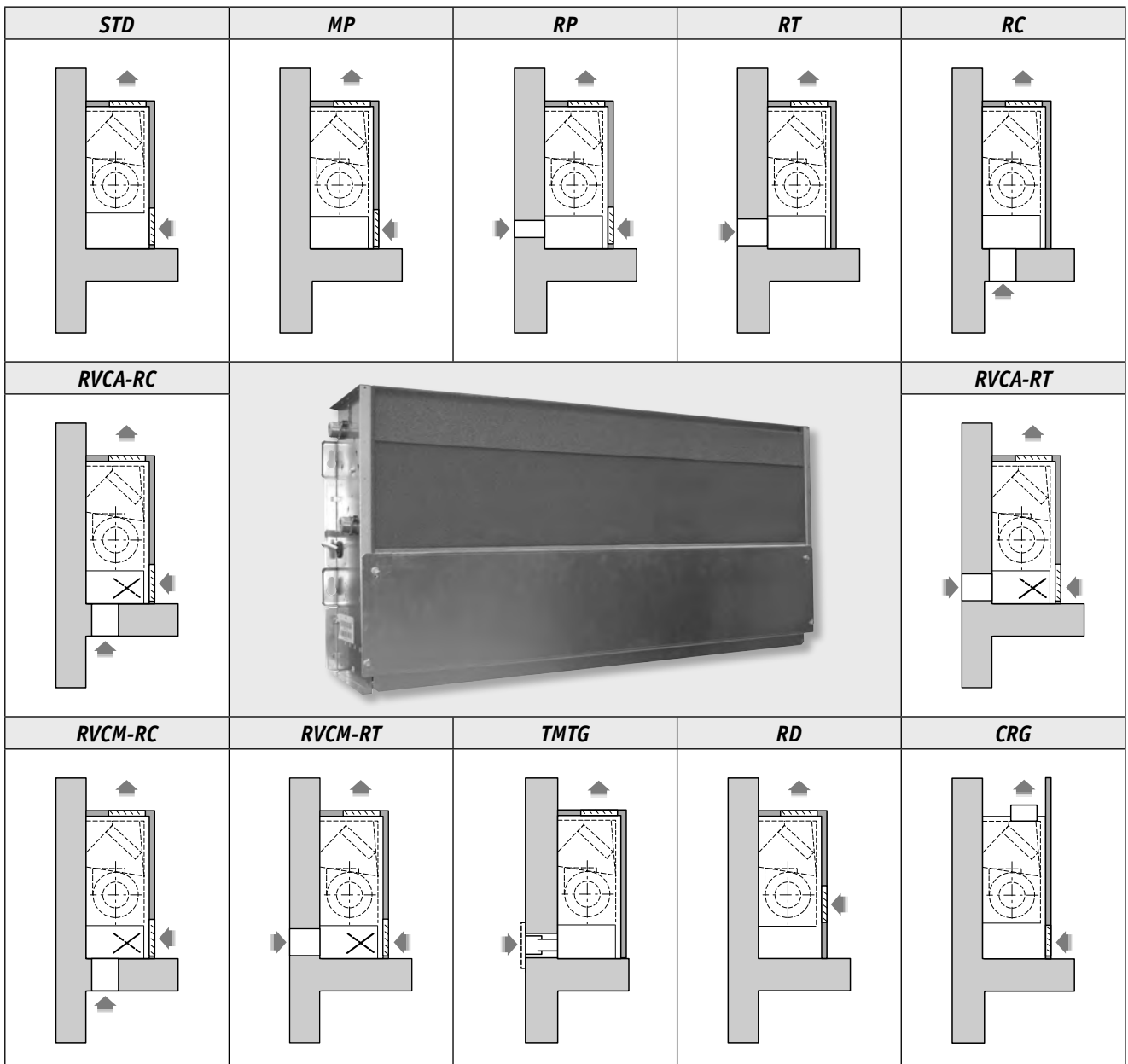
Models	A	A'	B	C	D	E	F	G	H	I	J	K	L	M	N	Weight
20	768	762	478	500	430	360	150	408	390	256	236	52	95	141	183	20
30	953	947	478	685	430	360	150	408	390	256	236	52	95	141	183	23
40	1138	1132	478	870	430	360	150	408	390	256	236	52	95	141	183	30
50	1323	1317	478	1055	430	360	150	408	390	256	236	52	95	141	183	35
60	1508	1502	478	1240	430	360	150	408	390	256	236	52	95	141	183	39
70	1323	1317	497	1055	530	365	157	506	492	289	233	41	88	145	172	42
80	1508	1502	578	1240	530	365	157	500	489	245	234	40	83	143	186	50
90	1693	1687	578	1425	530	365	157	500	489	245	234	40	83	143	186	56

Dimensions are in millimeters ; weight in kilograms.

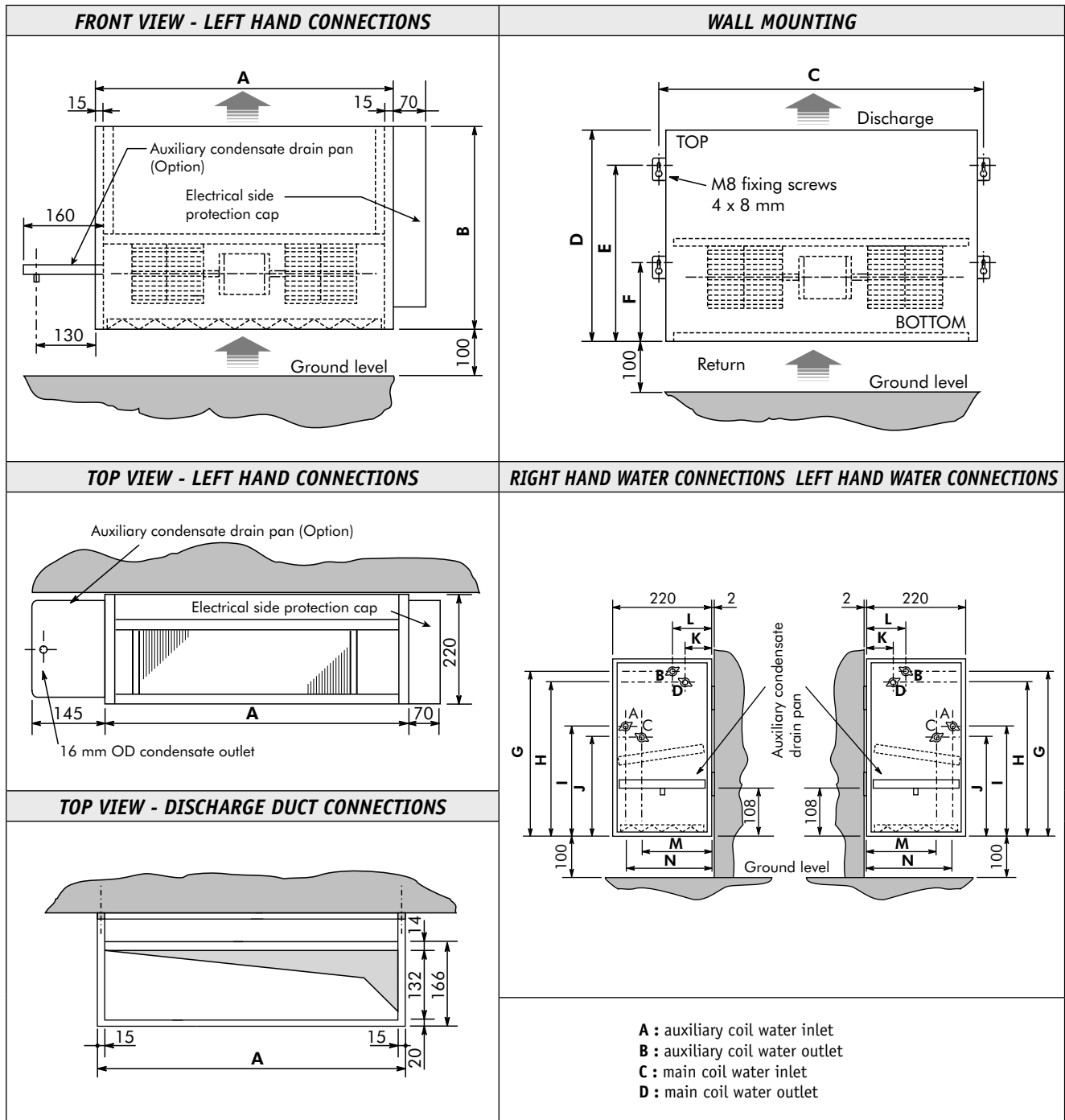
# Aqu@Fan II AWN models

## Options and accessories

<b>STD</b>	standard version for wall mounting (no support feet supplied).
<b>MP</b>	support feet for floor mounting.
<b>RD</b>	front air intake.
<b>RP</b>	back partial air intake with support feet.
<b>RT</b>	back full air intake with support feet.
<b>RC</b>	floor air intake with support feet.
<b>RVCA-RT</b>	air intake arrangement with motorized (non controlled) on/off damper (back or front intake).
<b>RVCA-RC</b>	air intake arrangement with motorized (non controlled) on/off damper (floor or front intake).
<b>RVCM-RT</b>	air intake arrangement with manual damper (back or/and front intake).
<b>RVCM-RC</b>	air intake arrangement with manual damper (floor or/and front intake).
<b>TMT</b>	telescopic wall sleeve.
<b>TMTG</b>	telescopic wall sleeve with external grille (filter not supplied).
<b>BAC</b>	auxiliary drain pan (for units without motorized valves).
<b>CRG</b>	discharge duct collar.



# Dimensional data - Aqu@Fan II AWN models



Models	A	B	C	D	E	F	G	H	I	J	K	L	M	N	Weight
10	370	430	360	430	360	150	406	390	255	238	54	95	141	182	11
20	510	430	500	430	360	150	408	390	256	236	52	95	141	183	14
30	695	430	685	430	360	150	408	390	256	236	52	95	141	183	16
40	880	430	870	430	360	150	408	390	256	236	52	95	141	183	23
50	1065	430	1055	430	360	150	408	390	256	236	52	95	141	183	27
60	1250	430	1240	430	360	150	408	390	256	236	52	95	141	183	30
70	1065	530	1055	530	365	157	506	492	289	233	41	88	145	172	34
80	1250	530	1240	530	365	157	500	489	245	234	40	83	143	186	41
90	1435	530	1425	530	365	157	500	489	245	234	40	83	143	186	46

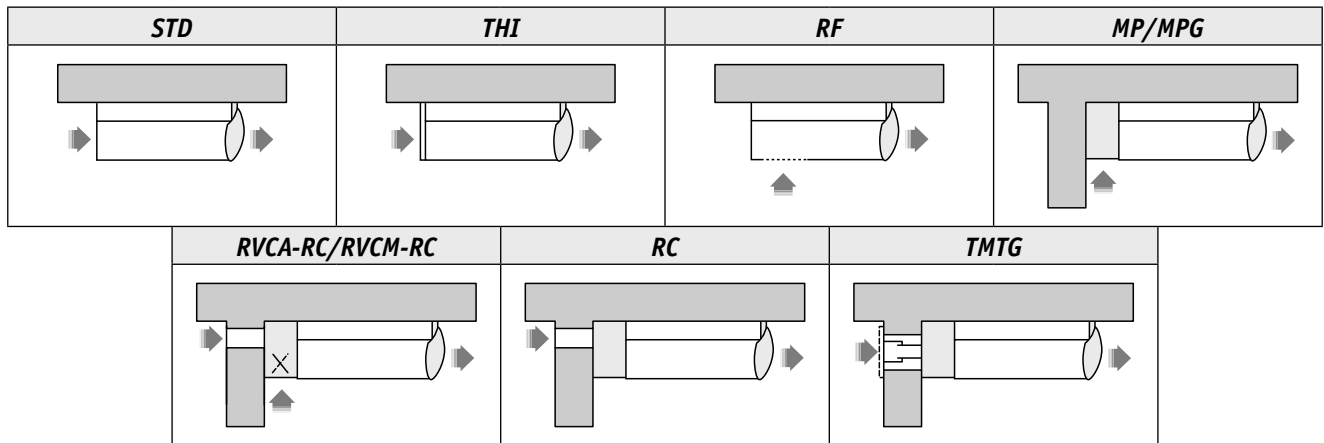
Dimensions are in millimeters ; weight in kilograms.



# Aqu@Fan II AHC models

## Options and accessories

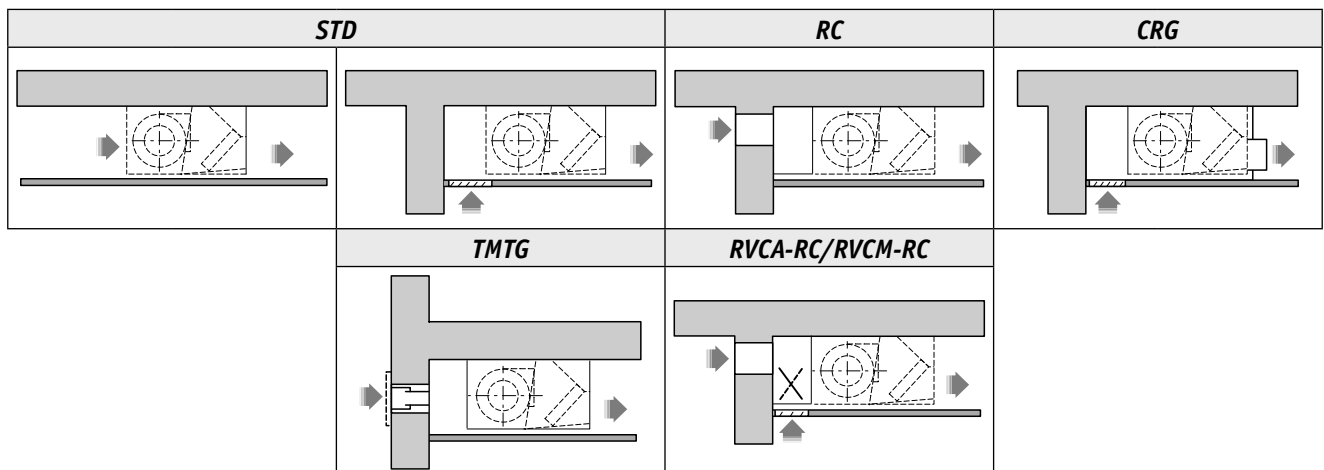
<b>STD</b>	standard ceiling mounted version with rear air intake (no inlet grille).
<b>RF</b>	bottom air intake grille.
<b>RVCA-RC</b>	air intake arrangement with motorized (non controlled) on/off damper.
<b>RVCM-RC</b>	air intake arrangement with manual damper.
<b>RC</b>	rear air intake with support feet.
<b>MP</b>	support feet.
<b>MPG</b>	air intake grille between feet.
<b>THI</b>	return air perforated panel with filter media.
<b>TMT</b>	telescopic wall sleeve.
<b>TMTG</b>	telescopic wall sleeve with external grille (filter not supplied).
<b>BAC</b>	auxiliary painted drain pan (for units without motorized valves).



# Aqu@Fan II AHN models

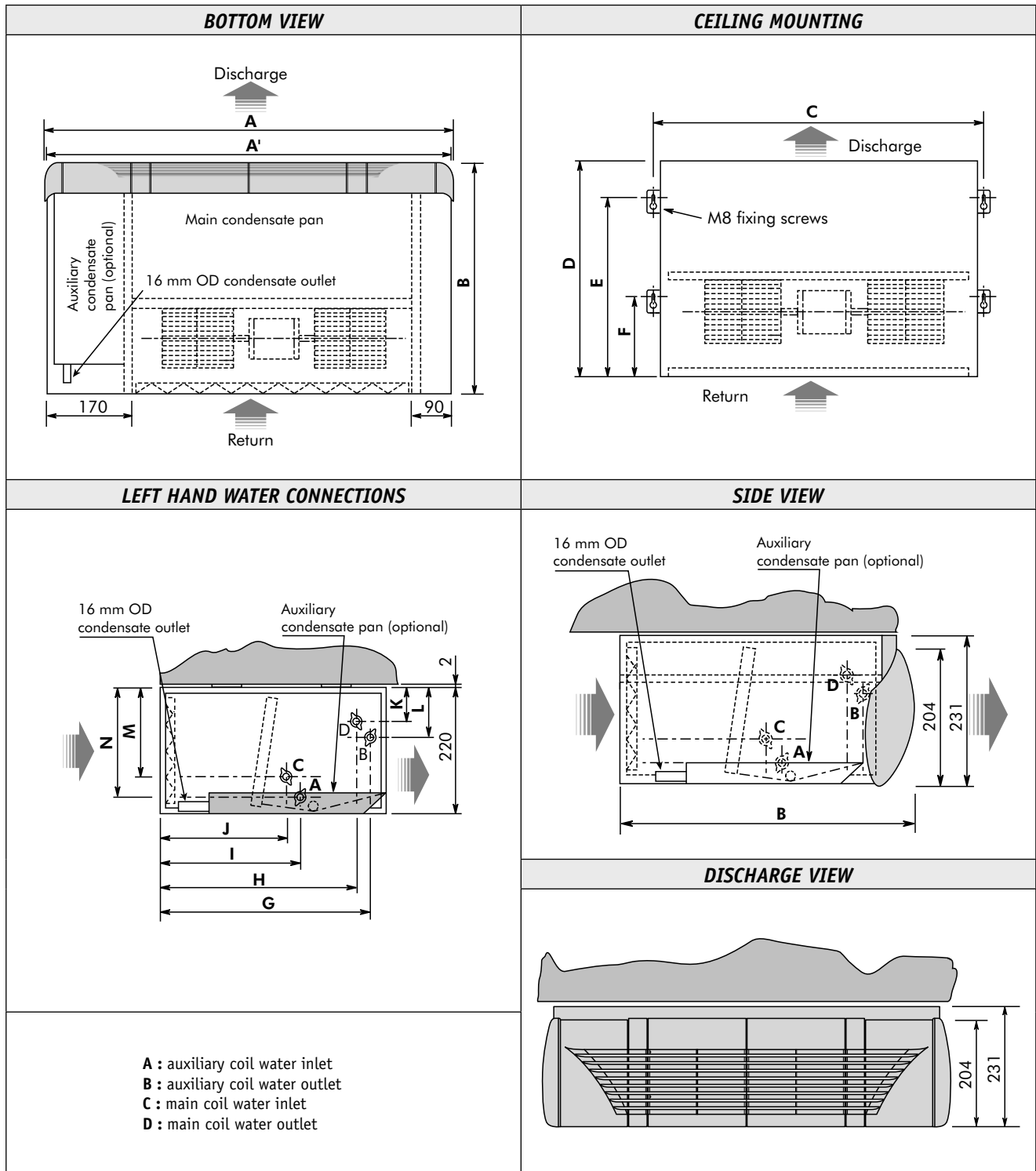
## Options and accessories

<b>STD</b>	standard ceiling mounted version with rear air intake (no inlet grille).
<b>RVCA-RC</b>	air intake arrangement with motorized (non controlled) on/off damper.
<b>RVCM-RC</b>	air intake arrangement with manual damper.
<b>RC</b>	rear air intake with support feet.
<b>CRG</b>	discharge duct collar.
<b>TMT</b>	telescopic wall sleeve.
<b>TMTG</b>	telescopic wall sleeve with external grille (filter not supplied).
<b>BAC</b>	auxiliary painted drain pan (for units without motorized valves).





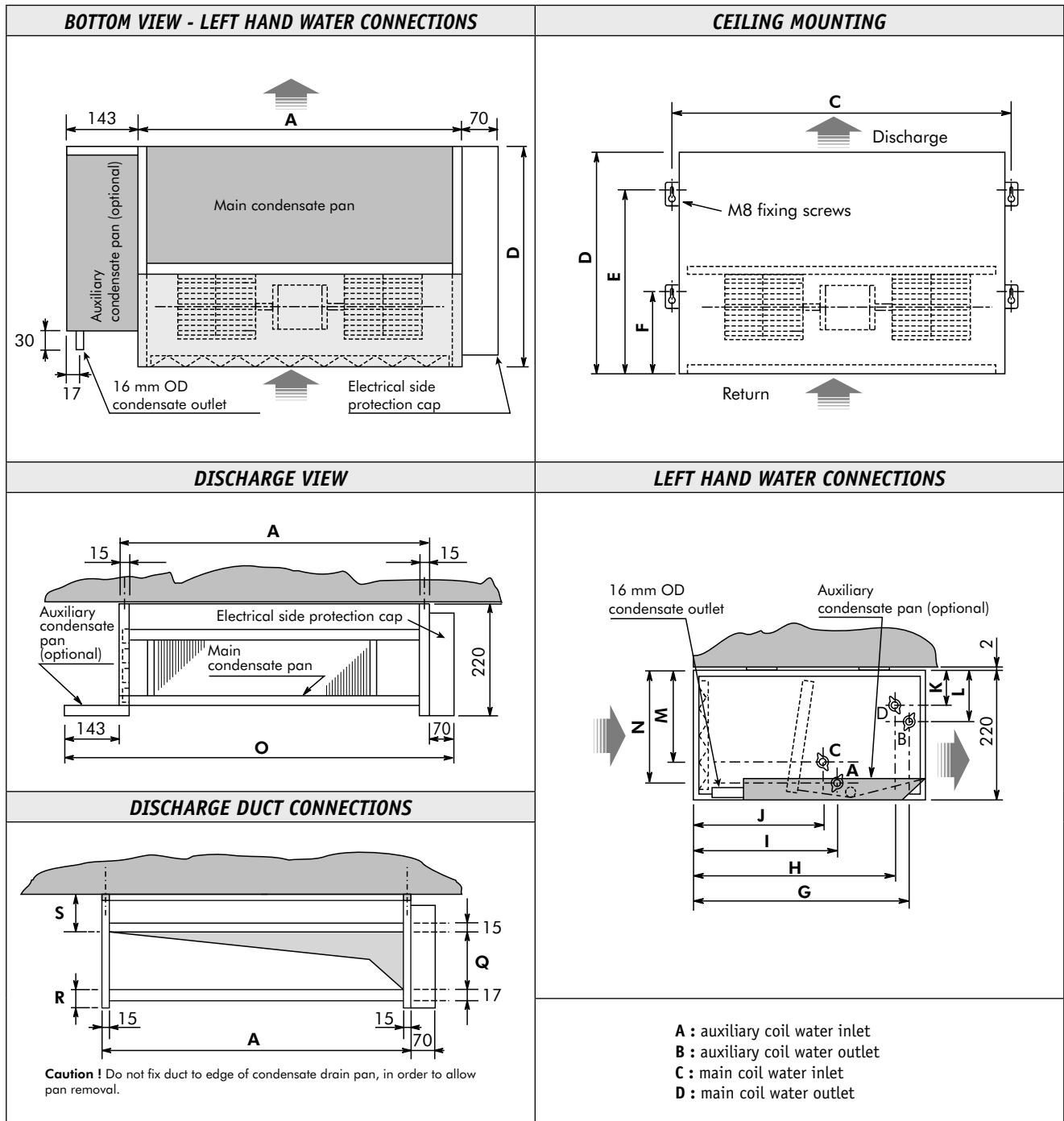
# Dimensional data - Aqu@Fan II AHC models



Models	A	A'	B	C	D	E	F	G	H	I	J	K	L	M	N	Weight
20	768	762	478	500	430	360	150	408	390	256	236	52	95	141	183	20
30	953	947	478	685	430	360	150	408	390	256	236	52	95	141	183	23
40	1138	1132	478	870	430	360	150	408	390	256	236	52	95	141	183	30
50	1323	1317	478	1055	430	360	150	408	390	256	236	52	95	141	183	35
60	1508	1502	478	1240	430	360	150	408	390	256	236	52	95	141	183	39
70	1323	1317	497	1055	530	365	157	506	492	289	233	41	88	145	172	42
80	1508	1502	578	1240	530	365	157	500	489	245	234	40	83	143	186	50
90	1693	1687	578	1425	530	365	157	500	489	245	234	40	83	143	186	56

Dimensions are in millimeters ; weight in kilograms.

# Dimensional data - Aqu@Fan II AHN models



Models	A	C	D	E	F	G	H	I	J	K	L	M	N	O	Q	R	S	Weight
10	370	360	430	360	150	406	390	255	238	54	95	141	182	583	122	30	68	11
20	510	500	430	360	150	408	390	256	236	52	95	141	183	723	122	30	68	14
30	695	685	430	360	150	408	390	256	236	52	95	141	183	908	122	30	68	16
40	880	870	430	360	150	408	390	256	236	52	95	141	183	1093	122	30	68	23
50	1065	1055	430	360	150	408	390	256	236	52	95	141	183	1278	122	30	68	27
60	1250	1240	430	360	150	408	390	256	236	52	95	141	183	1463	122	30	68	30
70	1065	1055	530	365	157	506	492	289	233	41	88	145	172	1278	123	32	65	34
80	1250	1240	530	365	157	500	489	245	234	40	83	143	186	1463	123	32	65	41
90	1435	1425	530	365	157	500	489	245	234	40	83	143	186	1648	123	32	65	46

Dimensions are in millimeters ; weight in kilograms.

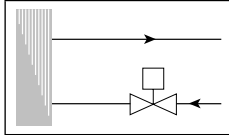
# Aqu@Fan II - Available options

## Coils

		AWC	AWN	AHC	AHN
XX20	2 row main coil - 2 pipe system	Yes	Yes	Yes	Yes
XX30	3 row main coil - 2 pipe system	Yes	Yes	Yes	Yes
XX21	2 row main coil + 1-row additional coil - 4 pipe system	Yes	Yes	Yes	Yes
XX31	3 row main coil + 1-row additional coil - 4 pipe system	Yes	Yes	Yes	Yes
XX20E	2 row main coil + standard electric heating coil - 2 pipe / 2 wire system	Yes	Yes	Yes	Yes
XX30E	3 row main coil + standard electric heating coil - 2 pipe / 2 wire system	Yes	Yes	Yes	Yes

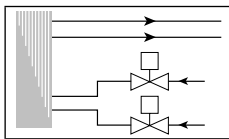
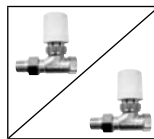
Note : XX = size of unit (for example : 1020 = fan coil size 10 with 2-row main coil - 2 pipe system).

## 2-way control valve - 2-pipe system - 230-Volt (or optional 24-Volt) thermal actuator



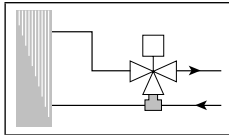
W2G1	1 valve, 2-way type - For 2-pipe system on cooling or heating coil						
	Valve		Thermal actuator 230 V - 50/60 Hz				
Sizes	KV	Ø	T max amb	T max fluid	Id (A)	In (A)	P (VA)
10/60	1.6	1/2"	50 °C	110 °C	0.6	0.013	3.0
70/90	2.5	3/4"	50 °C	110 °C	0.6	0.013	3.0

## 2-way control valve - 4-pipe system - 230-Volt (or optional 24-Volt) thermal actuator



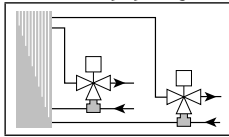
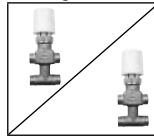
W2G2	2 valves, 2-way type - For 4-pipe system on cooling and heating coils							
	Cooling valve		Heating valve		Thermal actuator(s) 230 V - 50/60 Hz			
Sizes	KV	Ø	KV	Ø	T max amb	T max fluid	Id (A)	P (VA)
10/60	1.6	1/2"	1.6	1/2"	50 °C	110 °C	0.6	0.013
70/90	2.5	3/4"	1.6	1/2"	50 °C	110 °C	0.6	0.013

## 4-way control valve - 2-pipe system - 230-Volt (or optional 24-Volt) thermal actuator



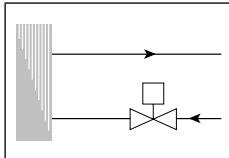
W4G1	1 valve, 4-way type - For 2-pipe system on cooling or heating coil						
	Valve		Thermal actuator 230 V - 50/60 Hz				
Sizes	KV	Ø	T max amb	T max fluid	Id (A)	In (A)	P (VA)
10/60	1.6	1/2"	50 °C	110 °C	0.6	0.013	3.0
70/90	2.5	3/4"	50 °C	110 °C	0.6	0.013	3.0

## 4-way control valve - 4-pipe system - 230-Volt (or optional 24-Volt) thermal actuator



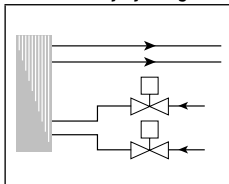
W4G2	2 valves, 4-way type - For 4-pipe system on cooling and heating coils							
	Cooling valve		Heating valve		Thermal actuator(s) 230 V - 50/60 Hz			
Sizes	KV	Ø	KV	Ø	T max amb	T max fluid	Id (A)	P (VA)
10/60	1.6	1/2"	1.6	1/2"	50 °C	110 °C	0.6	0.013
70/90	2.5	3/4"	1.6	1/2"	50 °C	110 °C	0.6	0.013

## 2-way control valve - 2-pipe system - 3-point modulating actuator\*



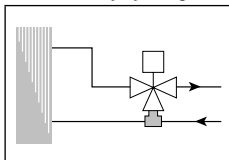
W2G1	1 valve, 2-way type - For 2-pipe system on cooling or heating coil				
	Valve		24-Volts actuator - 50/60 Hz		
Sizes	KV	Ø	T max amb	T max fluid	P (VA)
10/20	0.6	1/2"	60 °C	110 °C	7.0
30/60	1.6	1/2"	60 °C	110 °C	7.0
70/90	2.5	3/4"	60 °C	110 °C	7.0

## 2-way control valve - 4-pipe system - 3-point modulating actuator\*



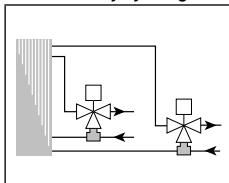
W2G2	2 valves, 2-way type - For 4-pipe system on cooling and heating coils						
	Cooling valve		Heating valve		24-Volts actuator - 50/60 Hz		
Sizes	KV	Ø	KV	Ø	T max amb	T max fluid	P (VA)
10/20	0.6	1/2"	0.6	1/2"	60 °C	110 °C	7.0
30/40	1.6	1/2"	0.6	1/2"	60 °C	110 °C	7.0
50/60	1.6	1/2"	1.6	1/2"	60 °C	110 °C	7.0
70/90	2.5	3/4"	1.6	1/2"	60 °C	110 °C	7.0

## 4-way control valve - 2-pipe system - 3-point modulating actuator\*



W4G1	1 valve, 4-way type - For 2-pipe system on cooling or heating coil				
	Valve		24-Volts actuator - 50/60 Hz		
Sizes	KV	Ø	T max amb	T max fluid	P (VA)
10/20	0.6	1/2"	60 °C	110 °C	7.0
30/60	1.6	1/2"	60 °C	110 °C	7.0
70/90	2.5	3/4"	60 °C	110 °C	7.0

## 4-way control valve - 4-pipe system - 3-point modulating actuator\*



W4G2	2 valves, 4-way type - For 4-pipe system on cooling and heating coils						
	Cooling valve		Heating valve		24-Volts actuator - 50/60 Hz		
Sizes	KV	Ø	KV	Ø	T max amb	T max fluid	P (VA)
10/20	0.6	1/2"	0.6	1/2"	60 °C	110 °C	7.0
30/40	1.6	1/2"	0.6	1/2"	60 °C	110 °C	7.0
50/60	1.6	1/2"	1.6	1/2"	60 °C	110 °C	7.0
70/90	2.5	3/4"	1.6	1/2"	60 °C	110 °C	7.0

(\* ) Actuator available with Honeywell or similar digital controllers (consult factory).

# Aqu@Fan II - Optional electric heating coils

## ■ Electric heaters with heating rods (supplied fitted)

	BE1	BE2	BE3	BE4
10	200	400	600 <sup>(1)</sup> (200+400)	NA
20	300	600	900 <sup>(1)</sup> (300+600)	NA
30	300	600	900 <sup>(1)</sup> (300+600)	1200 <sup>(1)</sup> (600+600)
40	500	1000	1500 <sup>(1)</sup> (500+1000)	2000 <sup>(1)</sup> (1000+1000)
50	600	1200	1800 <sup>(1)</sup> (600+1200)	2400 <sup>(1)</sup> (1200+1200)
60	750	1500	2250 <sup>(1)</sup> (750+1500)	3000 <sup>(1)</sup> (1500+1500)
70	750	1500	2250 <sup>(1)</sup> (750+1500)	3000 <sup>(1)</sup> (1500+1500)
80	900	1800	2700 <sup>(1)</sup> (900+1800)	3600 <sup>(1)</sup> (1800+1800)
90	1000	2000	3000 <sup>(1)</sup> (1000+2000)	4000 <sup>(1)</sup> (2000+2000)

(1) Available in 2 steps suitable for Aqu@Net control.

NA : Not available.

## ■ Electric heaters with finned resistances (supplied loose)

	BE1	BE2	BE3	BE4	BE5
10	250	500	750 <sup>(1)</sup>	NA	NA
20	375	750	1125 <sup>(1)</sup>	NA	NA
30	600	1200	1800 <sup>(1)</sup>	NA	NA
40	750	1500	2250 <sup>(1)</sup>	NA	NA
50	500	1000	1500 <sup>(1)</sup>	2000 <sup>(1)</sup>	3000 <sup>(1)</sup>
60	600	1200	1800 <sup>(1)</sup>	2400 <sup>(1)</sup>	3600 <sup>(2&amp;3)</sup>
70	500	1000	1500 <sup>(1)</sup>	2000 <sup>(1)</sup>	3000 <sup>(1)</sup>
80	600	1200	1800 <sup>(1)</sup>	2400 <sup>(1)</sup>	3600 <sup>(2&amp;3)</sup>
90	750	1500	2250 <sup>(1)</sup>	3000 <sup>(1)</sup>	4500 <sup>(2&amp;3)</sup>

(1) Available in 2 steps suitable for Aqu@Net control.

(2) Suitable only for 3-phase (400 V + Neutral) power supply and provided with relay(s).

(3) Aqu@Net control is not available with this capacity.

NA : Not available.

# Aqu@Fan II performance data - 2-pipe system

## ■ 2-row main coil

Sizes	Speeds	Air flow (m <sup>3</sup> /h)	Cooling				Heating			Lw global (dBA)	Lp global (dBA)	NR/ISO
			Pt (W)	Ps (W)	Water flow (l/h)	WPD (kPa)	Pc (W)	Water flow (l/h)	WPD (kPa)			
1020	V1	175	990	792	169	10	1459	169	8	48	40	35
	V2	155	928	737	158	9	1339	158	7	45	37	33
	V3	132	836	660	144	7	1184	144	6	41	33	28
	V4	113	726	568	126	6	1039	126	5	37	29	24
	V5	95	623	480	108	4	870	108	4	32	24	18
2020	V1	307	1731	1401	299	30	2378	299	27	53	45	41
	V2	273	1600	1270	274	26	2256	273	23	49	41	37
	V3	216	1350	1050	230	19	1943	230	17	42	34	29
	V4	172	1151	870	198	14	1607	198	13	35	27	23
	V5	141	970	723	166	11	1217	165	9	33	25	20
3020	V1	394	2100	1790	360	8	2996	360	7	55	47	43
	V2	339	2023	1657	346	8	2692	349	6	51	43	39
	V3	281	1864	1441	320	7	2394	321	5	47	39	34
	V4	245	1720	1280	295	6	2098	295	5	43	35	29
	V5	176	1365	937	234	4	1712	234	3	36	28	22
4020	V1	552	3010	2600	515	18	3906	515	15	51	43	38
	V2	455	2650	2180	454	14	3637	453	12	47	39	35
	V3	373	2249	1839	385	11	3099	386	9	41	33	28
	V4	340	2128	1708	364	10	2899	364	8	39	31	26
	V5	286	1910	1497	328	8	2542	328	7	36	28	23
5020	V1	713	4360	3440	749	37	5346	749	32	55	47	43
	V2	536	3255	2540	558	22	4317	558	19	48	40	37
	V3	456	2919	2219	501	18	3844	501	15	44	36	32
	V4	348	2350	1770	403	12	3198	403	10	38	30	25
	V5	323	2210	1650	378	11	3038	378	9	36	28	22
6020	V1	888	4910	3340	843	29	6407	842	25	61	53	48
	V2	745	4250	2877	731	23	5506	727	19	56	48	44
	V3	629	3801	2560	652	19	4721	651	15	52	44	39
	V4	574	3560	2380	612	16	4393	612	14	49	41	36
	V5	454	2991	2083	515	12	3630	515	10	41	33	29
7020	V1	1113	5700	4650	978	35.6	7630	978	27	65	57	52
	V2	1036	5220	4050	894	29.6	6660	894	21.5	60	53	48
	V3	774	4400	3360	755	22.0	5530	755	16.1	56	49	44
	V4	657	3860	2930	662	17.3	4890	662	12.6	49	42	37
	V5	528	3170	2390	544	12.2	4060	544	8.9	48	40	35
8020	V1	1333	7858	6326	1347	42	9866	1346	36	66	58	54
	V2	1035	6660	5301	1142	30	8442	1145	27	59	51	48
	V3	905	5867	4646	1005	24	7641	1004	21	55	47	43
	V4	769	5010	3973	861	18	6282	860	16	52	44	40
	V5	644	4200	3328	720	13	5139	720	12	47	39	35
9020	V1	1682	9310	7250	1599	60	12161	1598	54	70	62	57
	V2	1473	8800	6620	1509	55	11150	1512	49	68	60	55
	V3	1282	8220	6000	1412	48	10328	1411	43	65	57	52
	V4	1026	7230	5140	1242	38	8824	1242	34	59	51	46
	V5	756	6050	4200	1037	28	7364	1037	25	51	43	39

Noise data are given for wall or ceiling mounted units with cabinet.

The sound pressure levels Lp in dBA are based on (NR) characteristic of a room having volume of 100 m<sup>3</sup> with reverberation time of 0.5 seconds (example : an office with carpet on floor).

Performances based on :

Summer : air 27 °C/19 °C (wet bulb) and chilled water 7/12 °C.

Winter : air 20 °C, entering water temperature 50 °C, water flow identical to cooling mode.

**Pt** : Total cooling capacity.


**Ps** : Sensible cooling capacity.

**Pc** : Heating capacity.

**Lw** : Sound power level.

**Lp** : Sound pressure level.

**WPD** : Water pressure drop.

 Standard wiring of the 3 speeds. Other speed combinations available upon request.

# Aqu@Fan II performance data - 2-pipe system

## ■ 3-row main coil

Sizes	Speeds	Air flow (m <sup>3</sup> /h)	Cooling				Heating			Lw global (dBA)	Lp global (dBA)	NR/ISO
			Pt (W)	Ps (W)	Water flow (l/h)	WPD (kPa)	Pc (W)	Water flow (l/h)	WPD (kPa)			
1030	V1	166	1140	883	194	19	1584	194	16	48	40	35
	V2	147	1065	807	184	16	1467	184	14	45	37	33
	V3	126	955	711	162	13	1287	162	11	41	33	28
	V4	108	830	615	144	11	1089	144	9	37	29	24
	V5	90	715	520	122	8	929	122	7	33	25	19
2030	V1	292	1871	1478	321	8	2527	321	8	53	45	41
	V2	260	1745	1351	300	7	2388	300	7	49	41	37
	V3	205	1465	1109	251	5	2021	251	5	43	35	31
	V4	163	1255	925	216	4	1648	216	4	36	28	24
	V5	122	1035	748	178	3	1244	178	3	34	26	22
3030	V1	374	2441	1935	418	16	3396	417	13	56	48	44
	V2	322	2338	1770	400	15	3020	400	12	52	44	40
	V3	267	2134	1562	367	12	2613	367	11	48	40	36
	V4	232	1918	1386	328	10	2290	327	9	45	37	33
	V5	167	1524	1015	263	7	1743	263	6	37	29	24
4030	V1	524	3463	2730	594	33	4570	594	28	52	44	39
	V2	433	3075	2352	529	26	4176	529	22	47	39	35
	V3	354	2620	1971	450	20	3499	450	17	42	34	29
	V4	323	2465	1833	425	18	3233	425	15	40	32	27
	V5	272	2190	1595	375	14	2687	374	12	37	29	24
5030	V1	677	5010	3766	861	29	6131	861	24	55	47	43
	V2	510	3770	2785	648	17	4828	648	15	48	40	37
	V3	434	3330	2430	573	14	4205	572	12	44	36	32
	V4	330	2659	1929	457	9	3456	458	8	39	31	27
	V5	307	2495	1795	429	8	3209	428	7	37	29	23
6030	V1	843	5730	3849	983	42	7360	983	35	61	53	48
	V2	708	4940	3270	850	32	6180	849	27	56	48	44
	V3	598	4390	2860	753	26	5250	752	22	52	44	39
	V4	545	4080	2640	702	23	4848	702	19	49	41	36
	V5	431	3395	2221	583	16	3992	583	14	42	34	30
7030	V1	1058	7470	5930	1288	25	9180	1288	21	64	56	51
	V2	984	6840	5170	1174	22	8406	1173	19	61	53	48
	V3	735	5610	4171	965	16	6896	965	13	54	46	41
	V4	624	4810	3560	825	12	6007	825	12	50	43	38
	V5	502	3920	2889	673	8	4940	673	7	46	38	34
8030	V1	1266	9038	6889	1548	39	11317	1548	33	66	58	54
	V2	983	7590	5618	1304	29	9269	1303	24	59	51	48
	V3	859	6649	4916	1142	23	8355	1141	19	56	48	44
	V4	730	5677	4194	976	17	7113	975	14	53	45	41
	V5	612	4749	3509	814	12	5985	814	10	49	41	36
9030	V1	1598	10741	8290	1840	38	13977	1839	33	70	62	57
	V2	1399	9980	7490	1714	34	12760	1714	28	68	60	55
	V3	1218	9011	6742	1548	28	11541	1548	24	66	58	53
	V4	974	7694	5649	1322	21	9802	1321	18	60	52	47
	V5	719	6415	4526	1102	15	7527	1101	13	53	45	41

Noise data are given for wall or ceiling mounted units with cabinet.

The sound pressure levels Lp in dBA are based on (NR) characteristic of a room having volume of 100 m<sup>3</sup> with reverberation time of 0.5 seconds (example : an office with carpet on floor).

Performances based on :

Summer : air 27 °C/19 °C (wet bulb) and chilled water 7/12 °C.

Winter : air 20 °C, entering water temperature 50 °C, water flow identical to cooling mode.

**Pt** : Total cooling capacity.

**Ps** : Sensible cooling capacity.

**Pc** : Heating capacity.

**Lw** : Sound power level.

**Lp** : Sound pressure level.

**WPD** : Water pressure drop.

 Standard wiring of the 3 speeds. Other speed combinations available upon request.

# Aqu@Fan II performance data - 4-pipe system

## ■ 2-row cooling main coil + 1-row heating complementary coil

Sizes	Speeds	Air flow (m <sup>3</sup> /h)	Cooling				Heating			Lw global (dBA)	Lp global (dBA)	NR/ISO
			Pt (W)	Ps (W)	Water flow (l/h)	WPD (kPa)	Pc (W)	Water flow (l/h)	WPD (kPa)			
1021	V1	166	956	763	166	10	1464	129	2	48	40	35
	V2	147	895	708	155	8	1383	121	2	45	37	33
	V3	126	809	636	140	7	1278	112	2	41	33	28
	V4	108	702	548	119	6	1158	102	1	37	29	24
	V5	90	597	460	104	4	1022	90	1	33	25	19
2021	V1	292	1679	1351	288	28	2500	219	6	53	45	41
	V2	260	1551	1227	266	25	2410	212	5	49	41	37
	V3	205	1304	1010	223	18	2139	188	4	43	35	31
	V4	163	1108	835	191	13	1850	162	3	36	30	24
	V5	141	928	688	158	10	1500	132	2	34	26	22
3021	V1	374	2035	1722	349	7.6	3391	298	13.1	56	48	44
	V2	322	1954	1589	335	7.1	3149	276	11.5	52	44	40
	V3	267	1651	1342	284	6.0	2852	250	9.7	50	42	38
	V4	232	1502	1193	257	5.2	2630	231	8.3	45	37	33
	V5	167	1061	851	182	3.4	2200	193	6.1	39	31	26
4021	V1	524	2920	2230	501	17	4732	415	29.5	52	44	39
	V2	443	2569	1870	439	13	4300	378	25.0	47	39	35
	V3	354	2174	1570	375	10	3799	333	19.9	43	35	30
	V4	323	2056	1460	353	9	3590	315	18.0	40	32	27
	V5	272	1841	1280	317	7	3270	287	15.4	37	29	24
5021	V1	677	4230	3315	727	35	6380	560	51	55	47	43
	V2	510	3157	2450	540	21	5500	483	39	48	40	37
	V3	434	2827	2142	483	17	4970	436	33	44	36	32
	V4	330	2265	1699	389	12	4179	366	24	39	31	27
	V5	307	2131	1589	367	11	3950	346	22	37	29	23
6021	V1	843	4762	3237	817	28	6749	592	16	61	53	48
	V2	708	4120	2789	706	21	6190	543	14	56	48	44
	V3	598	3679	2481	630	18	5710	501	12	52	44	39
	V4	545	3439	2302	591	15	5420	476	11	49	41	36
	V5	431	2882	2012	493	11	4670	409	8	42	34	30
7021	V1	1058	5529	4495	950	33.8	7995	702	24.6	64	56	51
	V2	984	5068	3932	871	28.3	7169	628	19.5	60	53	48
	V3	735	4262	3246	730	20.8	6270	550	15.4	54	46	41
	V4	624	3735	2830	640	16.3	5689	499	12.3	47	43	38
	V5	502	3065	2309	526	11.5	4799	421	9.2	44	38	34
8021	V1	1266	7622	6099	1307	40	11749	1032	49	66	58	54
	V2	983	6440	5081	1106	28	10440	916	40	59	51	48
	V3	859	5666	4459	972	23	9609	843	34	56	48	44
	V4	730	4842	3814	832	17	8673	761	28	53	45	41
	V5	612	4054	3190	695	12	7399	649	21	49	41	36
9021	V1	1598	9055	7021	1552	57	14230	1248	74	70	62	57
	V2	1399	8543	6405	1466	52	13452	1181	67	68	60	55
	V3	1218	7967	5806	1368	46	12519	1098	59	66	58	53
	V4	974	6977	4957	1196	36	10970	963	47	61	53	48
	V5	719	5809	4035	997	26	9112	799	33	55	47	43

Noise data are given for wall or ceiling mounted units with cabinet.

The sound pressure levels Lp in dBA are based on (NR) characteristic of a room having volume of 100 m<sup>3</sup> with reverberation time of 0.5 seconds (example : an office with carpet on floor).

Performances based on :

Summer : air 27 °C/19 °C (wet bulb) and chilled water 7/12 °C.

Winter : air 20 °C, hot water 70/60 °C.

Pt : Total cooling capacity.

Ps : Sensible cooling capacity.

Pc : Heating capacity.

Lw : Sound power level.

Lp : Sound pressure level.

WPD : Water pressure drop.

Standard wiring of the 3 speeds. Other speed combinations available upon request.



# Aqu@Fan II performance data - 4-pipe system

## ■ 3-row cooling main coil + 1-row heating complementary coil

Sizes	Speeds	Air flow (m <sup>3</sup> /h)	Cooling				Heating			Lw global (dBA)	Lp global (dBA)	NR/ISO
			Pt (W)	Ps (W)	Water flow (l/h)	WPD (kPa)	Pc (W)	Water flow (l/h)	WPD (kPa)			
1031	V1	161	1114	861	191	18	1439	126	2	48	40	35
	V2	142	1037	784	176	16	1361	119	2	46	38	34
	V3	122	931	691	158	13	1252	110	2	42	34	29
	V4	104	804	595	137	10	1134	100	1	38	30	25
	V5	87	695	505	119	8	1002	88	1	34	26	21
2031	V1	283	1971	1518	338	42	2463	216	6	53	45	41
	V2	251	1846	1390	317	37	2370	208	5	50	42	37
	V3	224	1543	1141	266	27	2102	184	4	44	36	32
	V4	199	1327	954	227	20	1812	159	3	37	29	25
	V5	158	1075	755	184	14	1470	129	2	35	27	23
3031	V1	362	2387	1882	411	15	3335	292	13	56	48	44
	V2	311	2278	1718	389	14	3096	272	11	52	44	40
	V3	258	2078	1515	356	12	2801	246	9	49	41	37
	V4	225	1868	1349	320	10	2580	226	8	45	37	33
	V5	162	1482	987	256	7	2157	189	6	38	30	25
4031	V1	508	3398	2663	583	31	4544	398	25	52	44	39
	V2	419	3007	2289	515	25	4227	371	22	47	39	35
	V3	343	2560	1920	439	19	3732	327	17	42	34	30
	V4	313	2409	1784	414	17	3517	309	16	40	32	27
	V5	263	2128	1550	367	14	3207	281	13	37	29	24
5031	V1	656	4894	3669	839	27	6277	550	50	55	47	43
	V2	493	3676	2711	630	16	5398	474	38	48	40	37
	V3	420	3247	2365	558	13	4875	428	32	45	37	33
	V4	320	2593	1879	447	9	4095	359	23	39	31	27
	V5	297	2427	1744	418	8	3870	340	21	37	29	24
6031	V1	817	5614	3770	961	40	6651	583	15	61	53	48
	V2	686	4836	3200	828	31	6091	534	13	56	48	44
	V3	579	4289	2796	735	25	5614	493	11	54	46	42
	V4	528	3984	2581	684	22	5327	468	10	51	43	38
	V5	417	3305	2168	569	16	4589	403	8	43	35	30
7031	V1	1024	7420	5640	1280	24	7880	690	24	64	56	51
	V2	953	6680	5042	1145	21	7070	620	19	60	53	48
	V3	712	5471	4055	940	15	6175	541	15	54	46	41
	V4	604	4686	3460	803	11	5603	492	12	47	43	38
	V5	486	3813	2808	655	8	4723	414	9	44	38	34
8031	V1	1226	8833	6708	1516	38	11558	1014	48	66	58	54
	V2	952	7402	5464	1271	28	10251	899	38	59	51	48
	V3	832	6491	4779	1113	22	9429	828	33	57	49	45
	V4	707	5537	4076	951	16	8141	714	25	54	46	42
	V5	592	4627	3407	792	12	6745	592	18	49	41	36
9031	V1	1547	10496	8092	1804	37	14011	1229	73	70	62	57
	V2	1355	9758	7302	1674	32	13230	1160	65	68	60	55
	V3	1180	8800	6568	1512	27	12300	1079	57	66	58	53
	V4	944	7500	5491	1286	20	10763	944	45	61	53	48
	V5	696	6228	4395	1069	14	8916	783	32	53	45	41

Noise data are given for wall or ceiling mounted units with cabinet.

The sound pressure levels Lp in dBA are based on (NR) characteristic of a room having volume of 100 m<sup>3</sup> with reverberation time of 0.5 seconds (example : an office with carpet on floor).

Performances based on :

Summer : air 27 °C/19 °C (wet bulb) and chilled water 7/12 °C.

Winter : air 20 °C, hot water 70/60 °C.

Pt : Total cooling capacity.

Ps : Sensible cooling capacity.

Pc : Heating capacity.

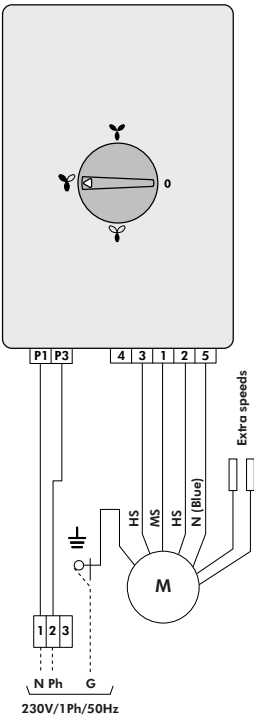
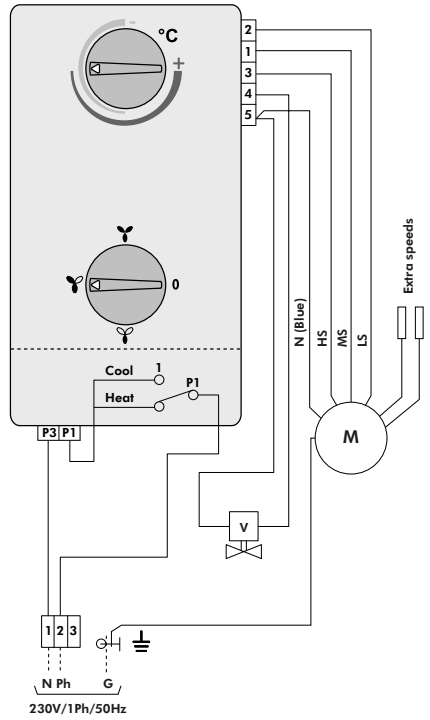


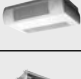



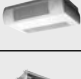



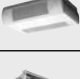



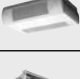



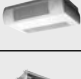



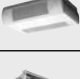

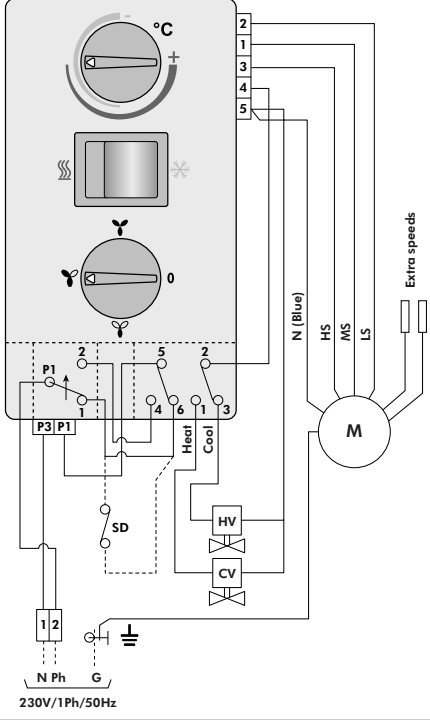












Lw : Sound power level.

Lp : Sound pressure level.

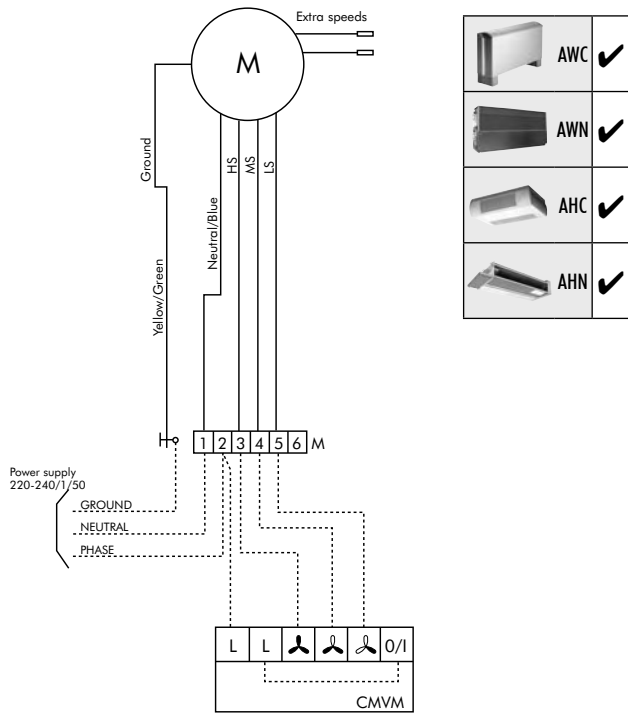
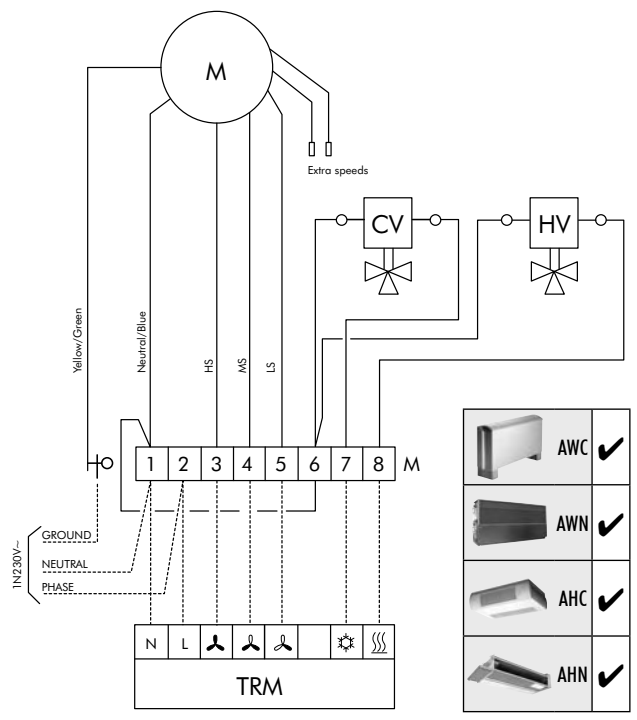
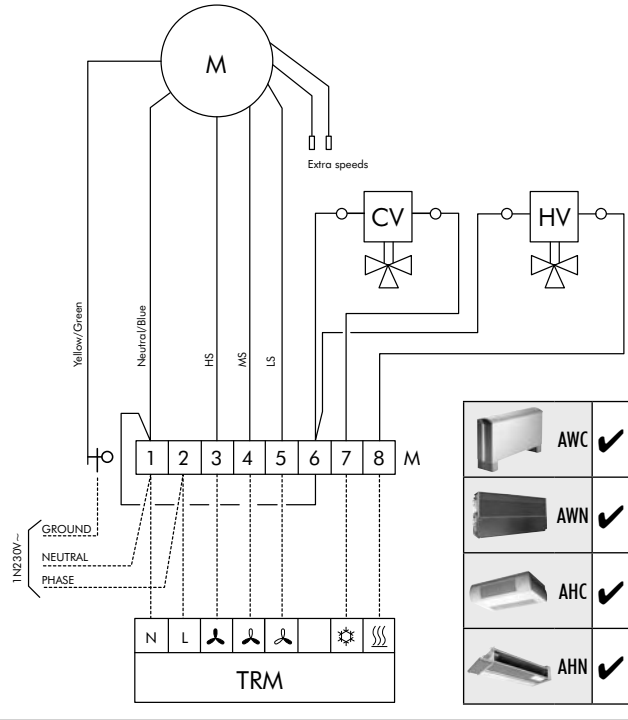
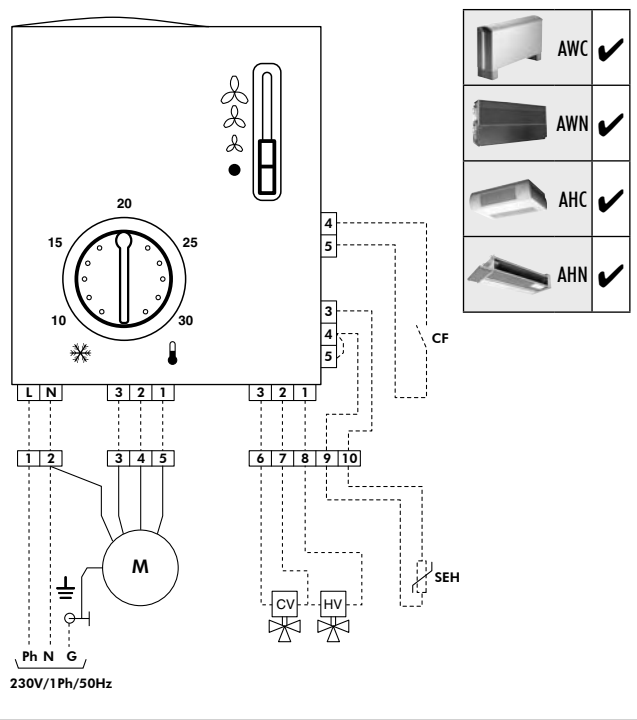
WPD : Water pressure drop.

 Standard wiring of the 3 speeds. Other speed combinations available upon request.

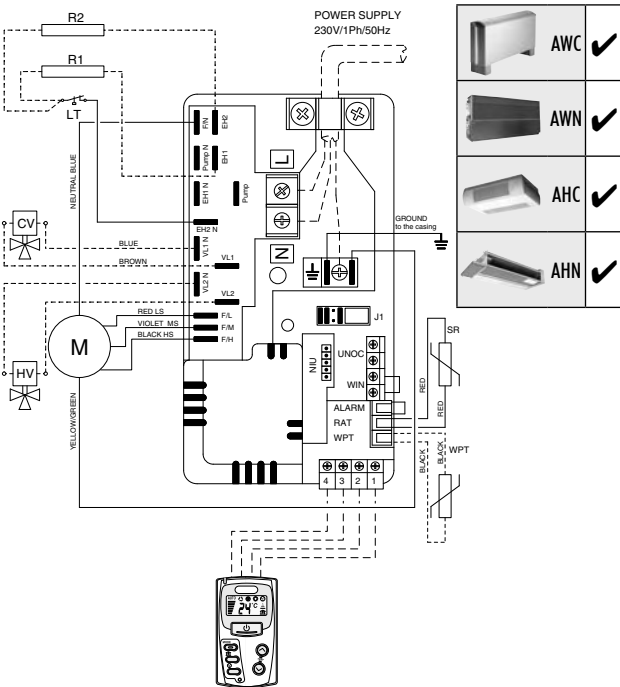
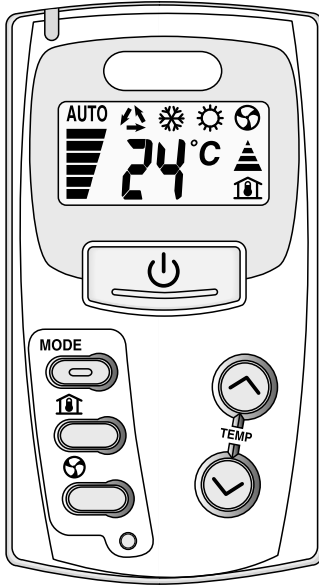
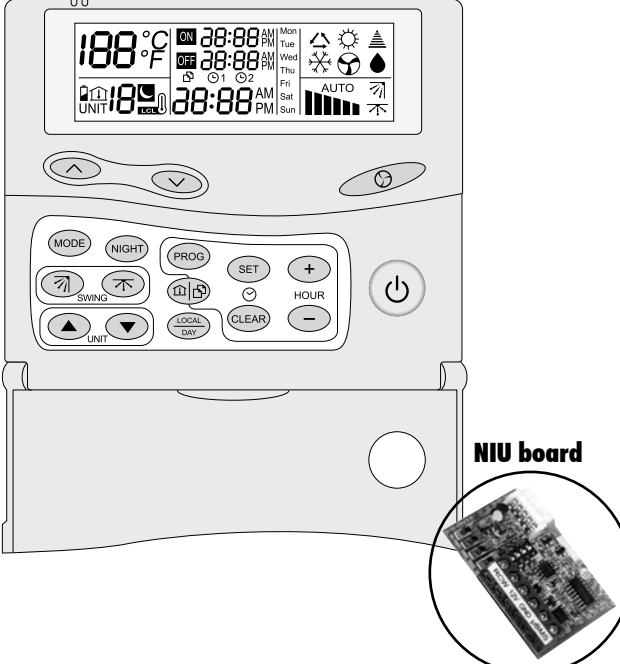
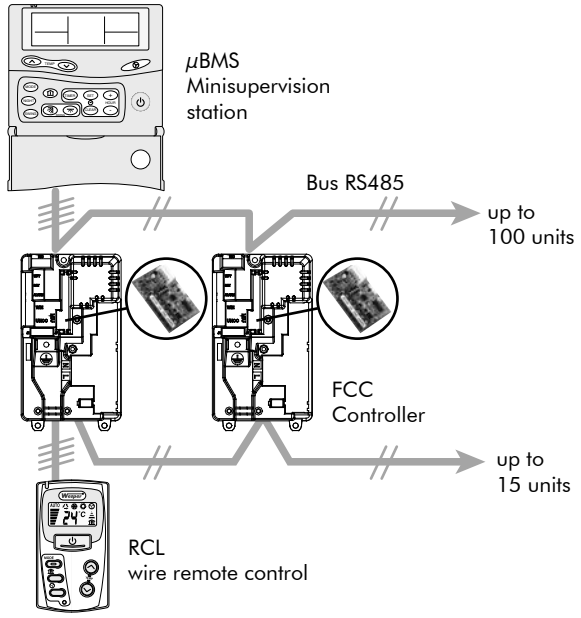
# Aqu@Fan II - Main controls

<p><b>CMV (supplied fitted)</b> <b>Manual fan speed selector</b></p>  <p style="font-size: small;">230V/1Ph/50Hz</p>	<p><b>TBV (supplied fitted)</b> <b>Electromechanical control with valve</b></p>  <p style="font-size: small;">230V/1Ph/50Hz</p>																								
<table border="1" style="width: 100%; border-collapse: collapse;"> <tr><td></td><td>AWC</td><td>✓</td></tr> <tr><td></td><td>AWN</td><td>✓</td></tr> <tr><td></td><td>AHC</td><td>✓</td></tr> <tr><td></td><td>AHN</td><td>✗</td></tr> </table>		AWC	✓		AWN	✓		AHC	✓		AHN	✗	<table border="1" style="width: 100%; border-collapse: collapse;"> <tr><td></td><td>AWC</td><td>✓</td></tr> <tr><td></td><td>AWN</td><td>✓</td></tr> <tr><td></td><td>AHC</td><td>✓</td></tr> <tr><td></td><td>AHN</td><td>✗</td></tr> </table>		AWC	✓		AWN	✓		AHC	✓		AHN	✗
	AWC	✓																							
	AWN	✓																							
	AHC	✓																							
	AHN	✗																							
	AWC	✓																							
	AWN	✓																							
	AHC	✓																							
	AHN	✗																							
<p>▶ 4 position manual fan speed selector : OFF/LS/MS/HS.</p>	<ul style="list-style-type: none"> <li>▶ Action on valve and fan, 2-pipe system in heating or cooling mode.</li> <li>▶ Set of thermostat + 4-position manual speed selector : OFF/LS/MS/HS.</li> <li>▶ Option TBV1 for action on valve only with constant fan operation.</li> <li>▶ For reversible 2-pipe system with summer/winter automatic changeover, possibility of mounting with a water changeover sensor PCO, use of 4-way valve is mandatory.</li> </ul>																								
<p><b>TBMV (supplied fitted)</b> <b>Electromechanical control with valve(s)</b></p>  <p style="font-size: small;">230V/1Ph/50Hz</p>																									
<table border="1" style="width: 100%; border-collapse: collapse;"> <tr><td></td><td>AWC</td><td>✓</td></tr> <tr><td></td><td>AWN</td><td>✓</td></tr> <tr><td></td><td>AHC</td><td>✓</td></tr> <tr><td></td><td>AHN</td><td>✗</td></tr> </table>			AWC	✓		AWN	✓		AHC	✓		AHN	✗												
	AWC	✓																							
	AWN	✓																							
	AHC	✓																							
	AHN	✗																							
<ul style="list-style-type: none"> <li>▶ Action on valves and fan, 4-pipe, 2-pipe/2-wire or manual changeover 2-pipe system.</li> <li>▶ Set of thermostat + summer/winter switch + 4-position manual speed selector: OFF/LS/MS/HS.</li> <li>▶ Option TBMV1 for action on valve(s) only with constant fan operation.</li> <li>▶ For 4-pipe or manual changeover 2-pipe system, possibility of mounting a low temperature cut-out sensor SD (temp. range 45 °C/35 °C) on hot water piping to stop fan operation.</li> </ul>																									

# Aqu@Fan II - Main controls (continued)

<p><b>CMVM (supplied loose)</b> <b>Manual fan speed selector</b></p>  <table border="1" style="float: right; margin-left: 20px;"> <tr><td></td><td>AWC</td><td>✓</td></tr> <tr><td></td><td>AWN</td><td>✓</td></tr> <tr><td></td><td>AHC</td><td>✓</td></tr> <tr><td></td><td>AHN</td><td>✓</td></tr> </table>		AWC	✓		AWN	✓		AHC	✓		AHN	✓	<p><b>TRM-FA (supplied loose)</b> <b>Electromechanical remote control</b></p>  <table border="1" style="float: right; margin-left: 20px;"> <tr><td></td><td>AWC</td><td>✓</td></tr> <tr><td></td><td>AWN</td><td>✓</td></tr> <tr><td></td><td>AHC</td><td>✓</td></tr> <tr><td></td><td>AHN</td><td>✓</td></tr> </table>		AWC	✓		AWN	✓		AHC	✓		AHN	✓
	AWC	✓																							
	AWN	✓																							
	AHC	✓																							
	AHN	✓																							
	AWC	✓																							
	AWN	✓																							
	AHC	✓																							
	AHN	✓																							
<p>▶ 4 position manual fan speed selector : OFF/LS/MS/HS.</p>	<p>▶ Wall mounted remote thermostat to control valves and fan.                  ▶ Suitable for 4-pipe (with cooling and heating valves), 2-pipe/2-wire (with cooling valve and electric heater), 2-pipe (with cooling or heating valve) and reversible 2-pipe (with manual changeover) systems.                  ▶ Control buttons : ON/OFF; Summer/Winter changeover; Manual fan speed selector : LS/MS/HS.</p>																								
<p><b>TRM-VP (supplied loose)</b> <b>Electromechanical remote control</b></p>  <table border="1" style="float: right; margin-left: 20px;"> <tr><td></td><td>AWC</td><td>✓</td></tr> <tr><td></td><td>AWN</td><td>✓</td></tr> <tr><td></td><td>AHC</td><td>✓</td></tr> <tr><td></td><td>AHN</td><td>✓</td></tr> </table>		AWC	✓		AWN	✓		AHC	✓		AHN	✓	<p><b>TAE20 (supplied loose)</b> <b>Electronic remote thermostat</b></p>  <table border="1" style="float: right; margin-left: 20px;"> <tr><td></td><td>AWC</td><td>✓</td></tr> <tr><td></td><td>AWN</td><td>✓</td></tr> <tr><td></td><td>AHC</td><td>✓</td></tr> <tr><td></td><td>AHN</td><td>✓</td></tr> </table>		AWC	✓		AWN	✓		AHC	✓		AHN	✓
	AWC	✓																							
	AWN	✓																							
	AHC	✓																							
	AHN	✓																							
	AWC	✓																							
	AWN	✓																							
	AHC	✓																							
	AHN	✓																							
<p>▶ Wall mounted remote thermostat to regulate control valve(s).                  ▶ Suitable for 4-pipe (with cooling and heating valves), 2-pipe/2-wire (with cooling valve and electric heater), 2-pipe (with cooling or heating valve) and reversible 2-pipe (with manual changeover) systems.                  ▶ Control buttons : ON/OFF; Summer/Winter changeover; Manual fan speed selector : LS/MS/HS.</p>	<p>▶ Adjustable dead zone electronic thermostat with summer/winter automatic changeover.                  ▶ Suitable for 4-pipe (with cooling and heating valves), 2-pipe/2-wire (with cooling valve and electric heater (TAE 20BE)), 2-pipe (with cooling or heating valve) or reversible 2-pipe (with or without extra electric heating, 4-way valve mandatory and SEH changeover sensor) system.                  ▶ Controls buttons : ON/OFF, manual fan speed selector : LS/MS/HS, NO (normally open) or NC (normally closed) window contact CF.</p>																								

# Aqu@Fan II - Main controls (continued)

<p><b>Aqu@Net communicating electronic control FCC electronic controller (supplied fitted)</b></p>  <p>POWER SUPPLY 230V/1Ph/50Hz</p> <p>AWC ✓ AWN ✓ AHC ✓ AHN ✓</p>	<p><b>RCL wire remote control with digital display (supplied loose or fitted)</b></p> 
<ul style="list-style-type: none"> <li>▶ Controller can be configured in 2-pipe heating only or cooling only, 2-pipe/2-wire, reversible 2-pipe with or without extra electric heating or 4-pipe system.</li> <li>▶ Other pre-programmed functionalities included : master/slaves up to 15 units controlled from one remote control only; NC window contact; automatic or manual selection of unoccupied mode; antifreeze mode.</li> </ul>	<ul style="list-style-type: none"> <li>▶ Wire remote control for wall mounting or for mounting on AWC units.</li> <li>▶ Keyboard with locking device and buttons : ON/Standby; fan operation (auto or manual); operation mode (cooling, heating, auto or fan operation only); temperature setpoint adjustment in different modes.</li> <li>▶ Functioning LED.</li> </ul>
<p><b>μBMS programmable supervision station (supplied loose)</b></p>	<p><b>Aqu@Net communicating electronic control System networking</b></p>
 <p><b>NIU board</b></p>	 <p>μBMS Minisupervision station</p> <p>Bus RS485</p> <p>up to 100 units</p> <p>FCC Controller</p> <p>up to 15 units</p> <p>RCL wire remote control</p>
<ul style="list-style-type: none"> <li>▶ In association with FCC controllers through a communication bus and interface board (NIU), μBMS allows 15 different zones with 100 units to be managed.</li> <li>▶ Other functionalities included either in global or individual control by zone :             <ul style="list-style-type: none"> <li>- Daily and weekly programming of running times (2 hour ranges),</li> <li>- Programming and setting of temperature setpoints (cooling, heating, auto),</li> <li>- Choice of operation mode (cooling, heating, auto or fan operation only),</li> <li>- Choice of fan operation speed (auto or manual).</li> </ul> </li> </ul>	<ul style="list-style-type: none"> <li>▶ RS485 communication bus system allowing user to monitor 100 fan coil units through a supervision station (μBMS), with FCC Aqu@Net controllers fitted with interface boards (NIU) and with local controls (RCL). Max. length of bus = 1000 meters, shielded twisted pair cable.</li> </ul>

# Aqu@Fan II technical data

## Air flow - 2-row dry coil

Unit sizes		10	20	30	40	50	60	70	80	90
Speed 1	m <sup>3</sup> /h	190	334	428	600	775	965	1210	1448	1828
Speed 2	m <sup>3</sup> /h	168	297	368	495	583	810	1126	1125	1601
Speed 3	m <sup>3</sup> /h	144	235	305	405	496	684	841	983	1394
Speed 4	m <sup>3</sup> /h	123	187	266	370	378	624	690	836	1115
Speed 5	m <sup>3</sup> /h	103	139	191	311	351	493	574	700	822

## Electrical data 230 V/1 Ph/50 Hz (tolerance on voltage $\pm 10\%$ )

Unit sizes		10	20	30	40	50	60	70	80	90
Max. running absorbed power (W)	V1	34	45	60	57	66	107	150	188	291
	V2	28	37	49	47	50	81	130	132	222
	V3	24	27	40	39	45	64	110	112	200
	V4	20	19	33	36	40	55	101	101	165
	V5	17	16	24	33	39	41	92	90	140
Max. absorbed current (A)		0.13	0.17	0.28	0.27	0.31	0.5	0.7	0.95	1.5

## Computer fan-coil selection by Win'R III software



To provide optimal fan-coil unit selection, Wesper supplies computer selection capability. The Win'R III selection program will select the most economical unit size to meet the specification. To operate the Win'R III software, the user needs a microcomputer using Windows 98SE, XP or 2000. Contact your nearest Wesper representative for a copy of Win'R III software or for a unit selection that meets the most exacting specifications.



As part of our ongoing product improvement programme, our products are subject to change without prior notice. Non contractual photos.

Your distributor :

**ELECTRA CONSUMER PRODUCTS LTD**

Member of Elco Group

☎ : +972-3-5655200

📠 : +972-3-5613464

@ : [www.electra-consumer.com](http://www.electra-consumer.com)