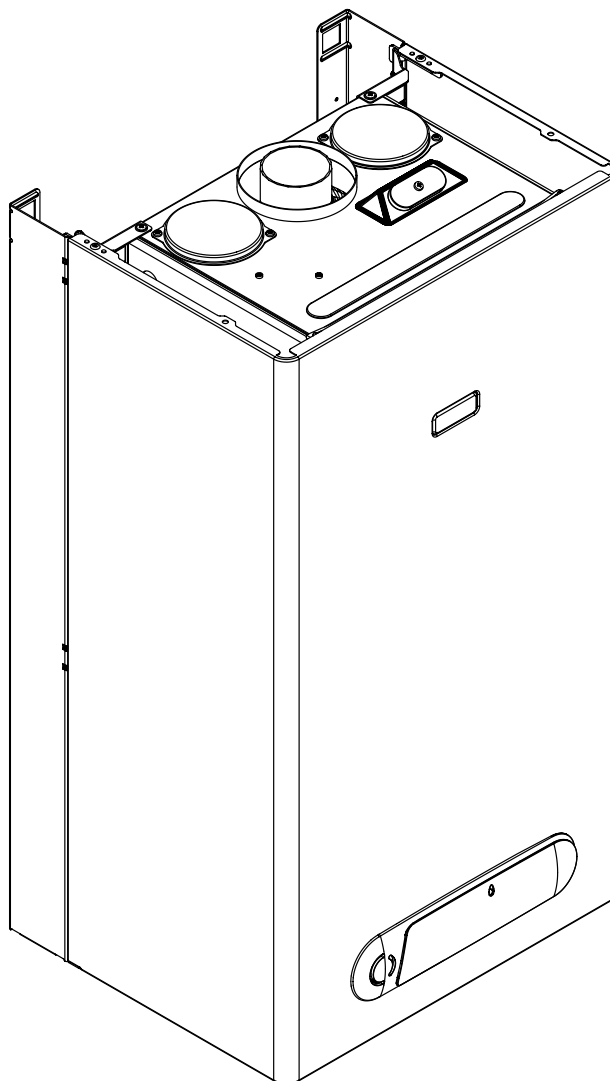
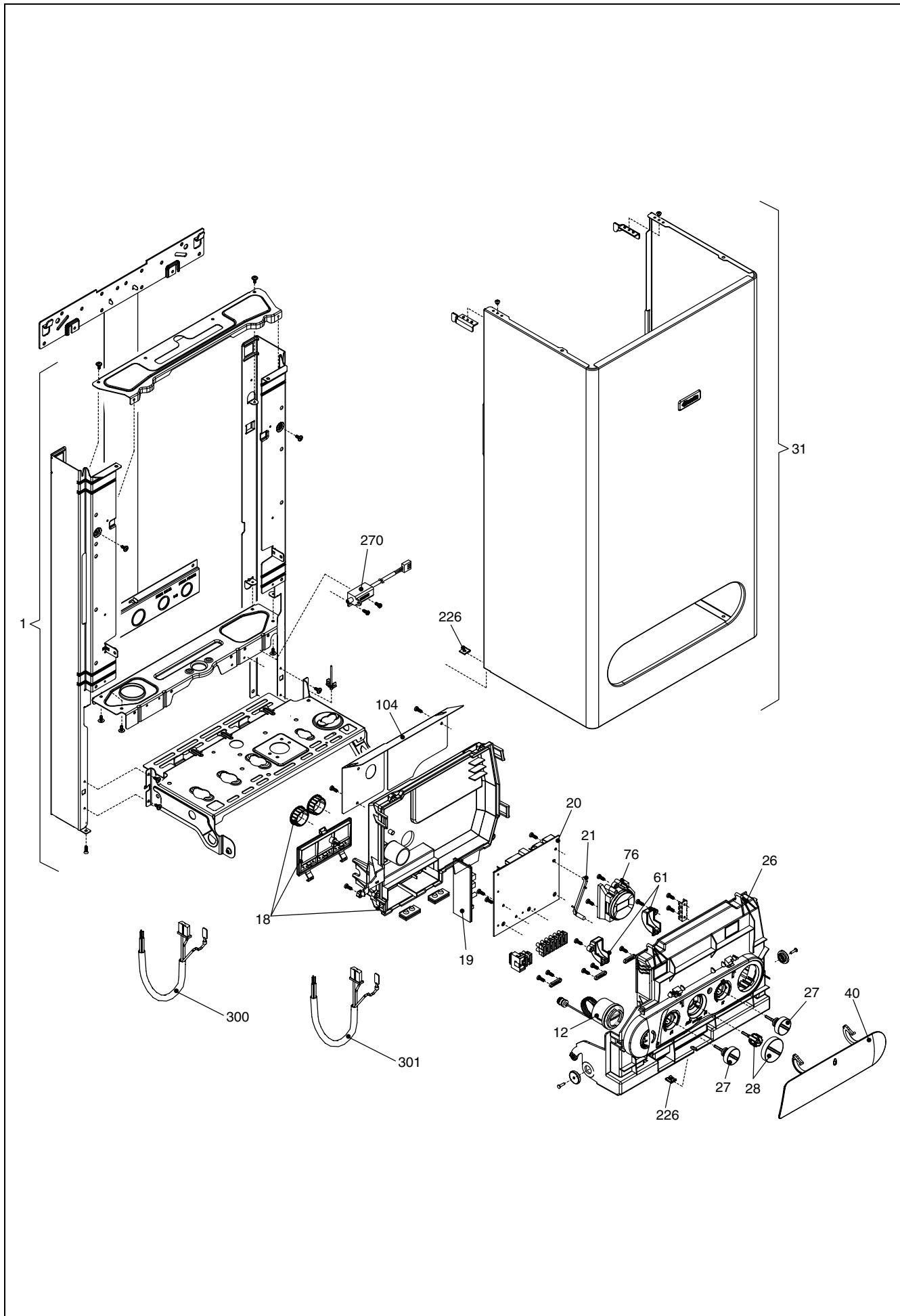


Wall hung boilers

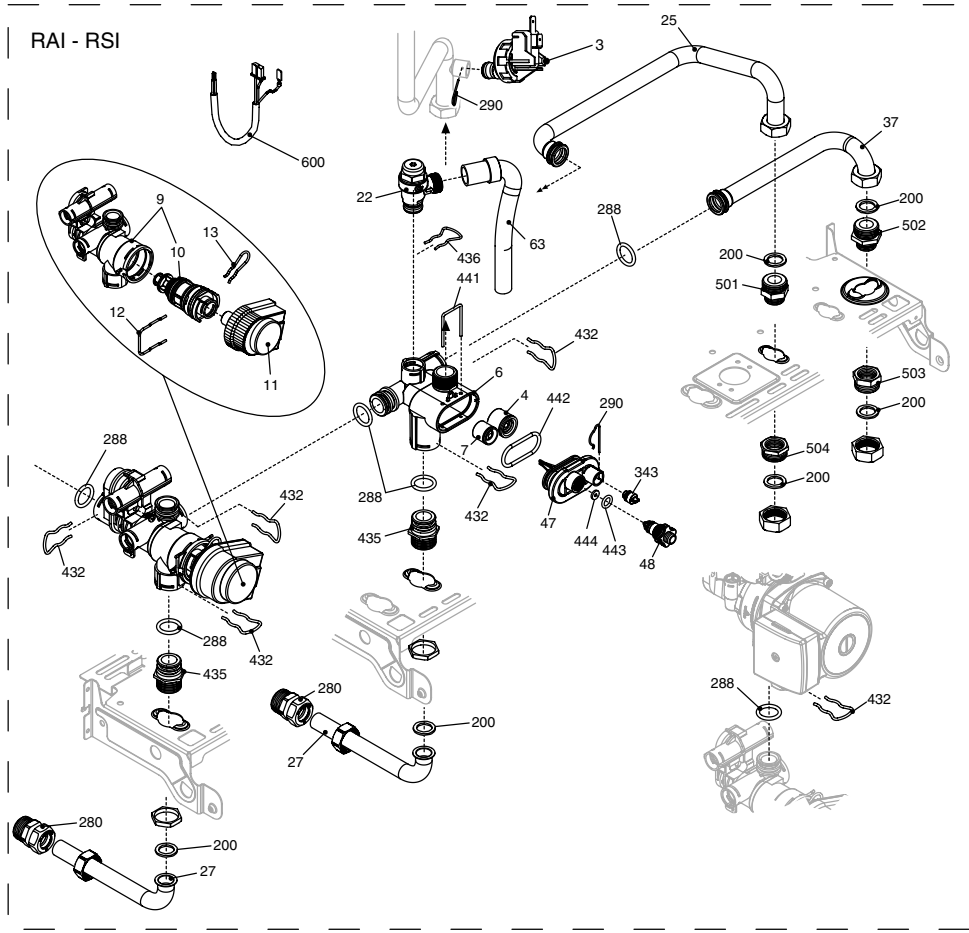
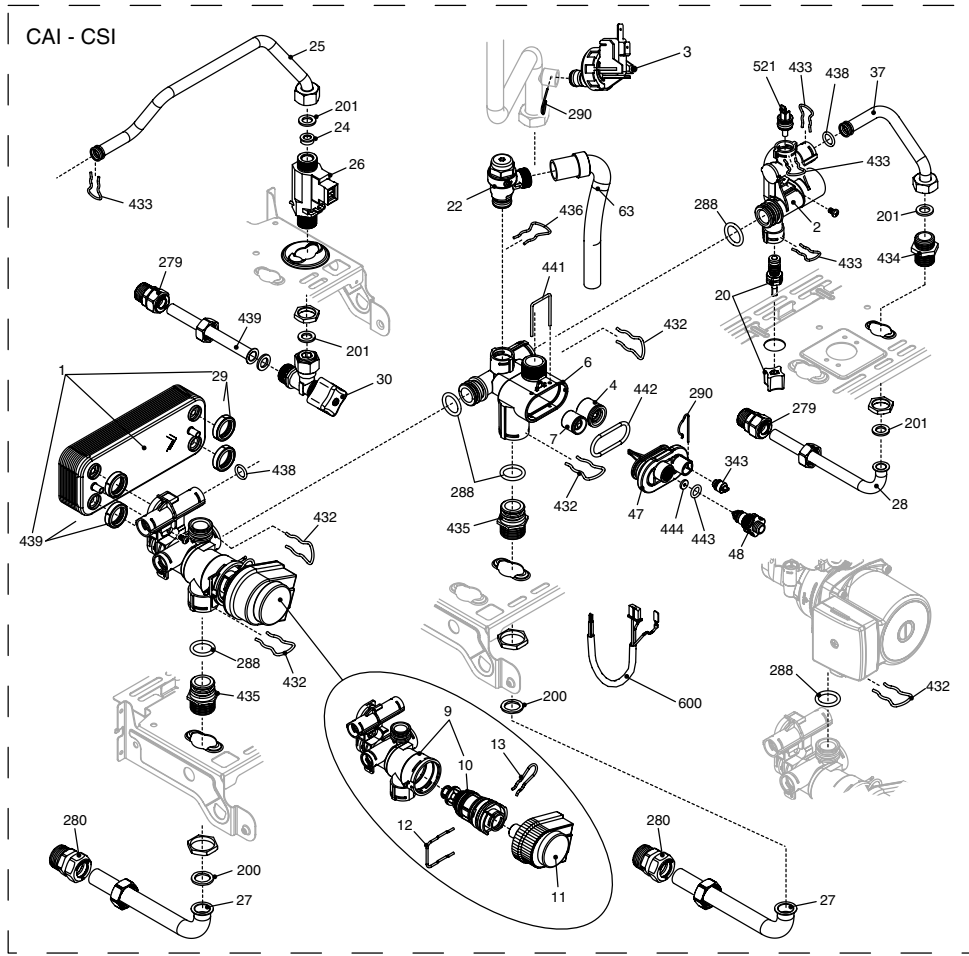
Mynute DGT



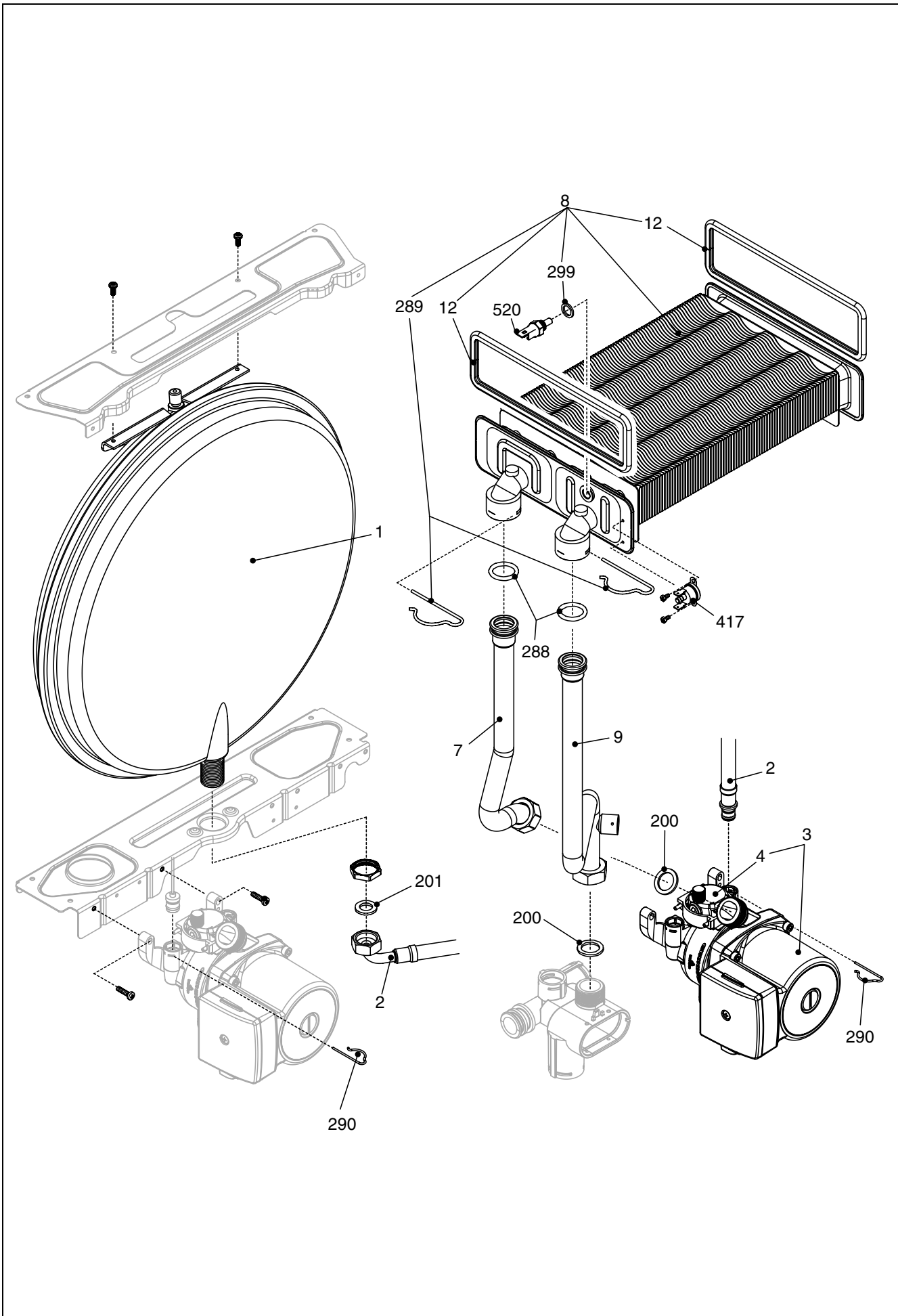
MODEL	PART NUMBER	
	MTN	GPL
Mynute 24 Cai DGT	1150283 (1JZ)	1150285 (1KZ)
Mynute 24 Csi DGT	1150293 (1LZ)	1150295 (1MZ)
Mynute 28 Cai DGT	1150303 (1NZ)	1150305 (A3Y)
Mynute 28 Csi DGT	1150313 (1XZ)	1150315 (A4Y)
Mynute 24 Rai DGT	1150323 (1YZ)	1150325 (1ZZ)
Mynute 24 Rsi DGT	1150333 (A1A)	1150335 (A2A)



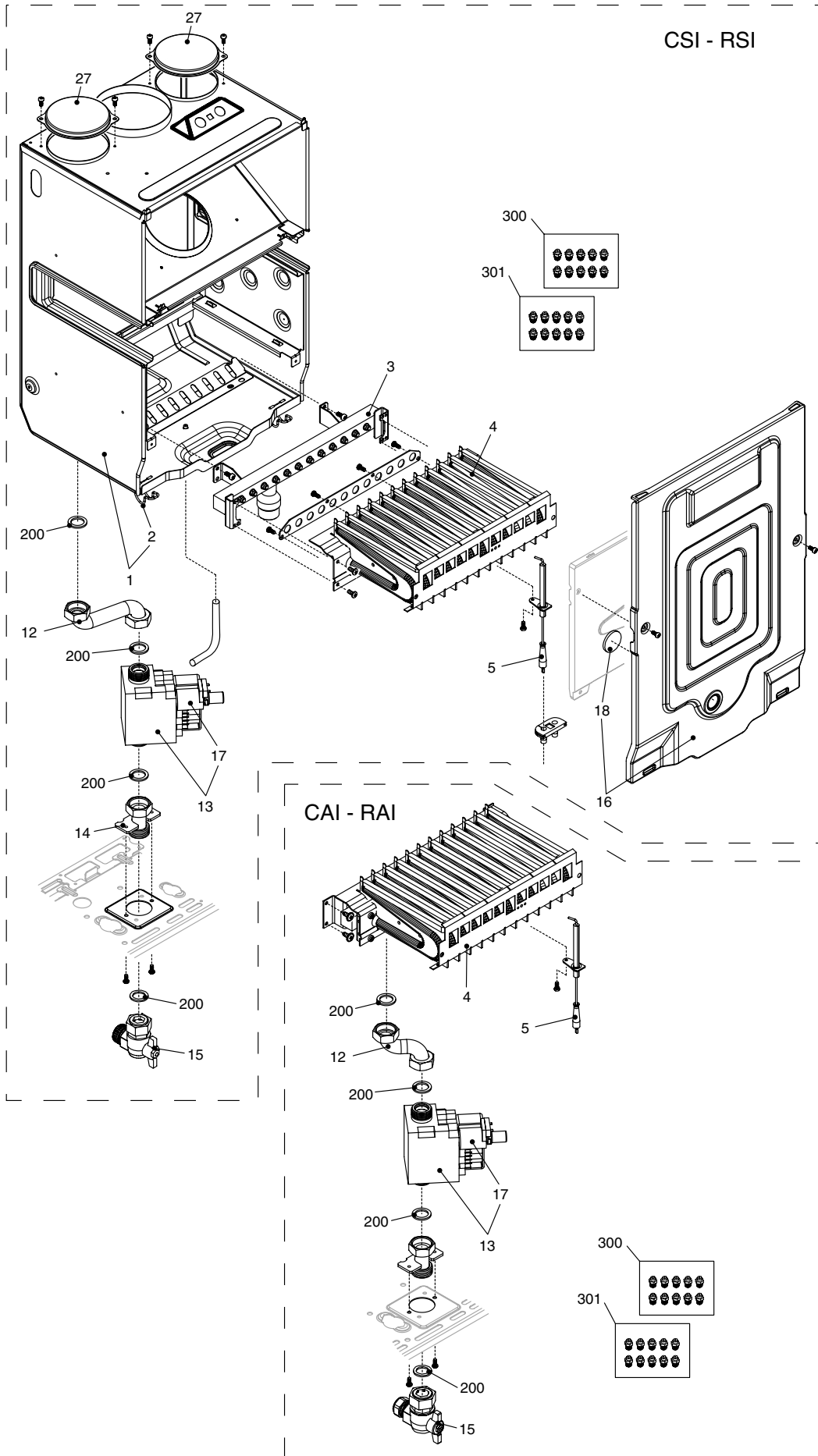
POS.	DESCRIPTION	24 Cai	24 Csi	28 Cai	28 Csi	24 Rai	24 Rsi
1	Frame	R01005360	R01005360	R01005361	R01005360	R01005360	R01005360
12	Quick primer pressure gauge	R10024019	R10024019	R10024019	R10024019	R10024019	R10024019
18	Cover	R10024173	R10024173	R10024173	R10024173	R10024173	R10024173
19	Ignition module	R10028890	R10028890	R10028890	R10028890	R10028890	R10028890
20	Printed circuit board	R10025340	R10025340	R10025340	R10025340	R10025340	R10025340
21	Led light guide	R10023816	R10023816	R10023816	R10023816	R10023816	R10023816
26	Front panel	R10025592	R10025592	R10025592	R10025592	R10025593	R10025593
27	Knob	R10023818	R10023818	R10023818	R10023818	R10023818	R10023818
28	Knob	R10023817	R10023817	R10023817	R10023817	R10023817	R10023817
31	Case	R10023822	R10023822	R10023883	R10023822	R10023822	R10023822
40	Door panel	R10023810	R10023810	R10023810	R10023810	R10023810	R10023810
61	Cover assembly	R01005261	R01005261	R01005261	R01005261	R01005261	R01005261
76	Visual digit	R10025596	R10025596	R10025596	R10025596	R10025596	R10025596
104	Protection	R10025084	-	R10025084	-	R10025084	-
226	Edge clip	R5128	R5128	R5128	R5128	R5128	R5128
270	Transformer	R10021272	R10021272	R10021272	R10021272	R10021272	R10021272
300	Wiring harness	R10023840	R10023840	R10023840	R10023840	R10023840	R10023840
301	Wiring harness	R10025404	R10025404	R10025404	R10025404	R10025404	R10025404



POS.	DESCRIPTION	24 Cai	24 Csi	28 Cai	28 Csi	24 Rai	24 Rsi
1	Domestic water heat exchanger	R8036	R8036	R8037	R8037	-	-
2	Connector	R10026151	R10026151	R10026151	R10026151	-	-
3	Pressure switch	R10028141	R10028141	R10028141	R10028141	R10028141	R10028141
4	Non return valve	R10025056	R10025056	R10025056	R10025056	R10025056	R10025056
6	By-pass casing	R10024641	R10024641	R10024641	R10024641	R10024641	R10024641
7	Heating by-pass valve	R2047	R2047	R2047	R2047	R2047	R2047
9	Heating manifold and cartridge	R10026508	R10026508	R10026508	R10026508	R10027343	R10027343
10	3 way valve cartridge	R10025305	R10025305	R10025305	R10025305	R10025305	R10025305
11	Motorised valve	R10025304	R10025304	R10025304	R10025304	R10025304	R10025304
12	Clip	R10025450	R10025450	R10025450	R10025450	R10025450	R10025450
13	Clip	R10025449	R10025449	R10025449	R10025449	R10025449	R10025449
20	Filling cock	R10025060	R10025060	R10025060	R10025060	-	-
22	Safety valve	R10025055	R10025055	R10025055	R10025055	R10025055	R10025055
24	Flow governor	R10024987	R10026045	R10025080	R10026041	-	-
25	Pipe	R10025839	R10025839	R10025839	R10025839	R10026714	R10026714
26	Dhw actuator	R10022348	R10022348	R10022348	R10022348	-	-
27	Pipe	R10024961	R10024961	R10024961	R10024961	R10024961	R10024961
28	Pipe	R10024962	R10024962	R10024962	R10024962	-	-
29	Pipe	R10024963	R10024963	R10024963	R10024963	-	-
30	Water supply stop cock	R1888	R1888	R1888	R1888	-	-
37	Pipe	R10025840	R10025840	R10025840	R10025840	R10026713	R10026713
47	Cover for by-pass assembly	R10024643	R10024643	R10024643	R10024643	R10024643	R10024643
48	Discharge cock	R10024646	R10024646	R10024646	R10024646	R10024646	R10024646
63	Pipe	R10025058	R10025058	R10025058	R10025058	R10025058	R10025058
200	Gasket	R5023	R5023	R5023	R5023	R5023	R5023
201	Gasket	R5026	R5026	R5026	R5026	-	-
279	Connection	R10025089	R10025089	R10025089	R10025089	-	-
280	Connection	R10025090	R10025090	R10025090	R10025090	R10025090	R10025090
288	Piston seal	R6898	R6898	R6898	R6898	R6898	R6898
290	Clip	R2165	R2165	R2165	R2165	R2165	R2165
343	Plug	R2216	R2216	R2216	R2216	R2216	R2216
432	Clip	R10024958	R10024958	R10024958	R10024958	R10024958	R10024958
433	Clip	R10024986	R10024986	R10024986	R10024986	-	-
434	1/2" nipple	R10024985	R10024985	R10024985	R10024985	-	-
435	Connector	R10025059	R10025059	R10025059	R10025059	R10025059	R10025059
436	Clip	R10025062	R10025062	R10025062	R10025062	R10025062	R10025062
438	O-ring	R10024988	R10024988	R10024988	R10024988	-	-
439	Washer	R10025067	R10025067	R10025067	R10025067	-	-
441	Clip	R10025063	R10025063	R10025063	R10025063	R10025063	R10025063
442	O-ring	R10025065	R10025065	R10025065	R10025065	R10025065	R10025065
443	O-ring	R10025064	R10025064	R10025064	R10025064	R10025064	R10025064
444	Washer	R10025066	R10025066	R10025066	R10025066	R10025066	R10025066
501	1/2" - 3/4" nipple	-	-	-	-	R10026914	R10026914
502	1/2" - 3/4" nipple	-	-	-	-	R10026915	R10026915
503	Connector	-	-	-	-	R10026917	R10026917
504	Connector	-	-	-	-	R10026916	R10026916
521	Ntc sensor	R10027351	R10027351	R10027351	R10027351	-	-
600	Wiring harness	R10026729	R10026729	R10026729	R10026729	R10026731	R10026731

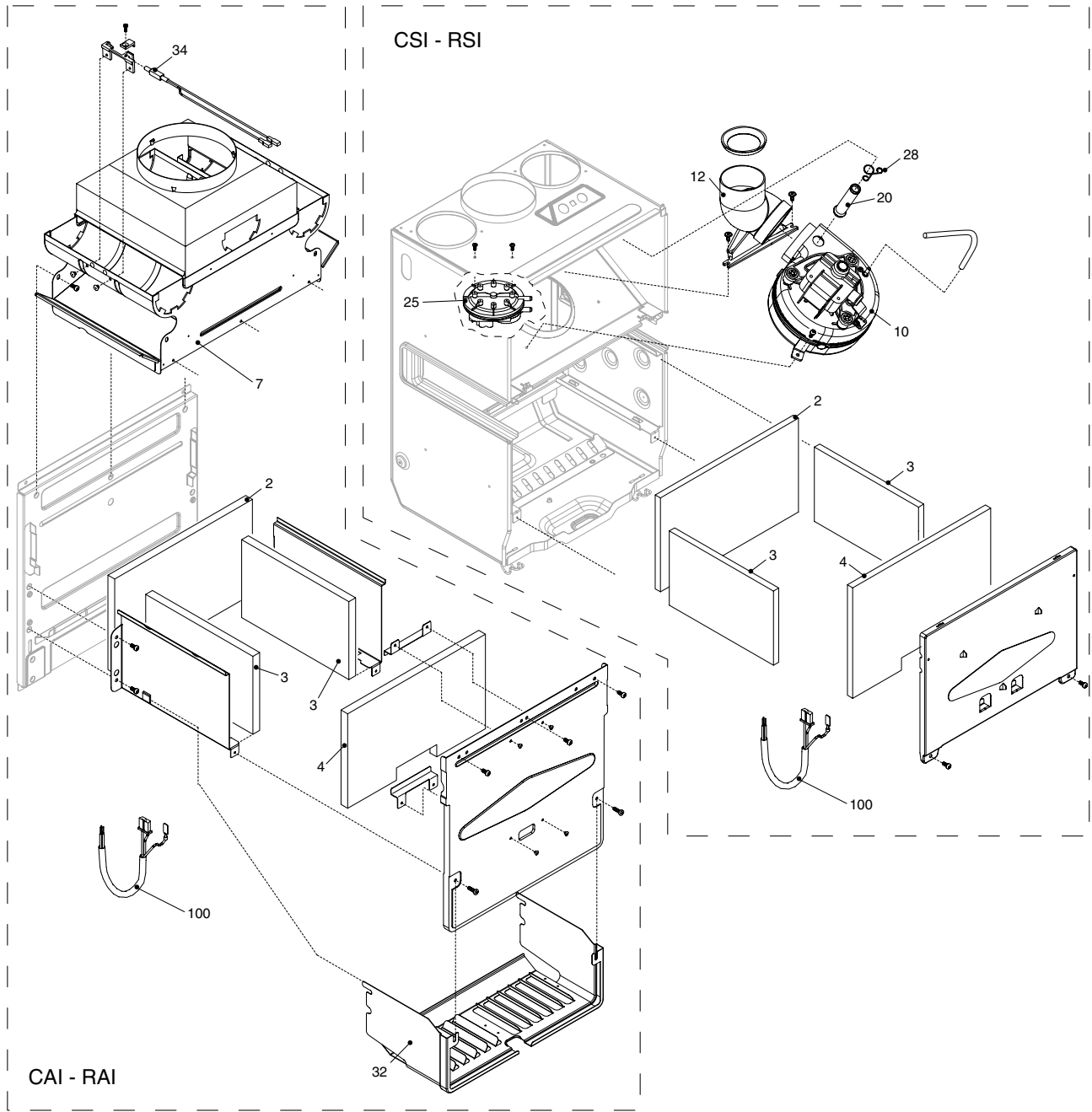


POS.	DESCRIPTION	24 Cai	24 Csi	28 Cai	28 Csi	24 Rai	24 Rsi
1	8 l. expansion vessel	R2204	R2204	R2204	R2204	R2204	R2204
2	Flexible pipe	R10025188	R10025188	R10025188	R10025188	R10025188	R10025188
3	Pump	R10027571	R10027571	R10027571	R10027571	R10027571	R10027571
4	Automatic air vent bottle	R10025485	R10025485	R10025485	R10025485	R10025485	R10025485
7	Pipe	R10025856	R10025837	R10026111	R10025837	R10025856	R10025837
8	Heat exchanger	R10023651	R10023651	R10023652	R10024301	R10023651	R10023651
9	Pipe	R10026705	R10026708	R10026709	R10026708	R10026705	R10026708
12	Washer	-	R2226	-	R2226	-	R2226
200	Gasket	R5023	R5023	R5023	R5023	R5023	R5023
201	Gasket	R5026	R5026	R5026	R5026	R5026	R5026
288	Piston seal	R6898	R6898	R6898	R6898	R6898	R6898
289	Clip	R2223	R2223	R2223	R2223	R2223	R2223
290	Clip	R2165	R2165	R2165	R2165	R2165	R2165
299	Gasket	R10022726	R10022726	R10022726	R10022726	R10022726	R10022726
417	High limit thermostat	R10024710	R10024710	R10024710	R10024710	R10024710	R10024710
520	Ntc sensor	R10027352	R10027352	R10027352	R10027352	R10027352	R10027352



POS.	DESCRIPTION	24 Cai	24 Csi	28 Cai	28 Csi	24 Rai	24 Rsi
1	Roomsealed chamber	-	R10024669	-	R10024745	-	R10024669
2	Air box clip	-	R0442	-	R0442	-	R0442
3	Main burner injector manifold	-	R10025271	-	R10024742	-	R10025271
4	Np 12 main burner ng	R10025273	R10025270	R10023876	R10026102	R10025273	R10025270
5	Spark-sensing electrode	R10025985	R10025985	R10025985	R10025985	R10025985	R10025985
12	Gas train	R10026153	R10026183	R10026153	R10026183	R10026153	R10026183
13	Gas valve	R10021021	R10021021	R10021021	R10021021	R10021021	R10021021
14	Gas pipe	R10026703	R10026703	R10026703	R10026703	R10026703	R10026703
15	Gas cock connection	R2266	R2266	R2266	R2266	R2266	R2266
16	Cover assembly	-	R10024779	-	R10024779	-	R10024779
17	Gas valve solenoid	R10020838	R10020838	R10020838	R10020838	R10020838	R10020838
18	Glass	-	R10021558	-	R10021558	-	R10021558
27	Plug	-	R10023805	-	R10023805	-	R10023805
200	Gasket	R5023	R5023	R5023	R5023	R5023	R5023
300	Ng conversion kit	R01005225	R01005225	R01005225	R01005225	R01005225	R01005225
301	Lpg conversion kit	R01005217	R01005297	R01005217	R01005297	R01005217	R01005297

CSI - RSI



CAI - RAI

32

POS.	DESCRIPTION	24 Cai	24 Csi	28 Cai	28 Csi	24 Rai	24 Rsi
2	Back insulating panel	R5270	R2230	R5316	R2230	R5270	R2230
3	Lateral insulating panel	R2272	R2231	R2272	R2231	R2272	R2231
4	Front insulating panel	R5269	R2232	R5315	R2232	R5269	R2232
7	Hood assembly	R10027526	-	R10027527	-	R10027526	-
10	Fan	-	R10020793	-	R10023907	-	R10020793
12	Fan connection	-	R10021972	-	R10021972	-	R10021972
20	Fumes testing connection pipe	-	R10021973	-	R10021973	-	R10021973
25	Pressure diff. switch kit	-	R01005272	-	R10023908	-	R01005272
28	Stop clip	-	R10020626	-	R10020626	-	R10020626
32	Combustion chamber bottom	R10024609	-	R10024608	-	R10024609	-
34	Fumes thermostat	R10021449	-	R10021188	-	R10021449	-
100	Wiring harness	R10026161	R10026730	R10026161	R10026730	R10026161	R10026730

Rev.	data	Descrizione
1.0	13/03/06	Modifiche varie
2.0	14/03/06	Modifiche varie
3.0	10/04/07	Modifiche varie



Beretta reserve the right to change the specifications without prior notice.
Consumers' statutory rights are not affected.